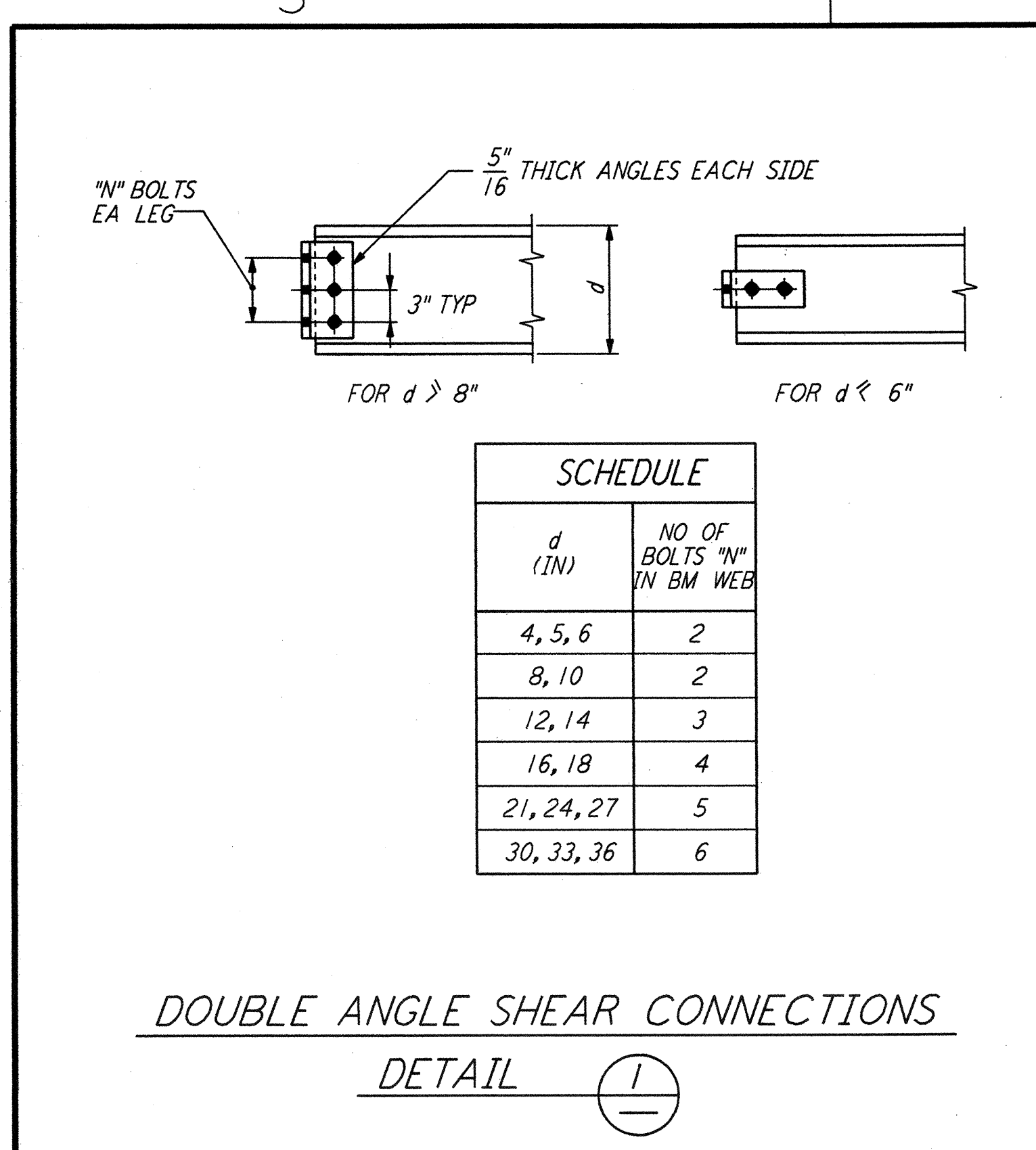
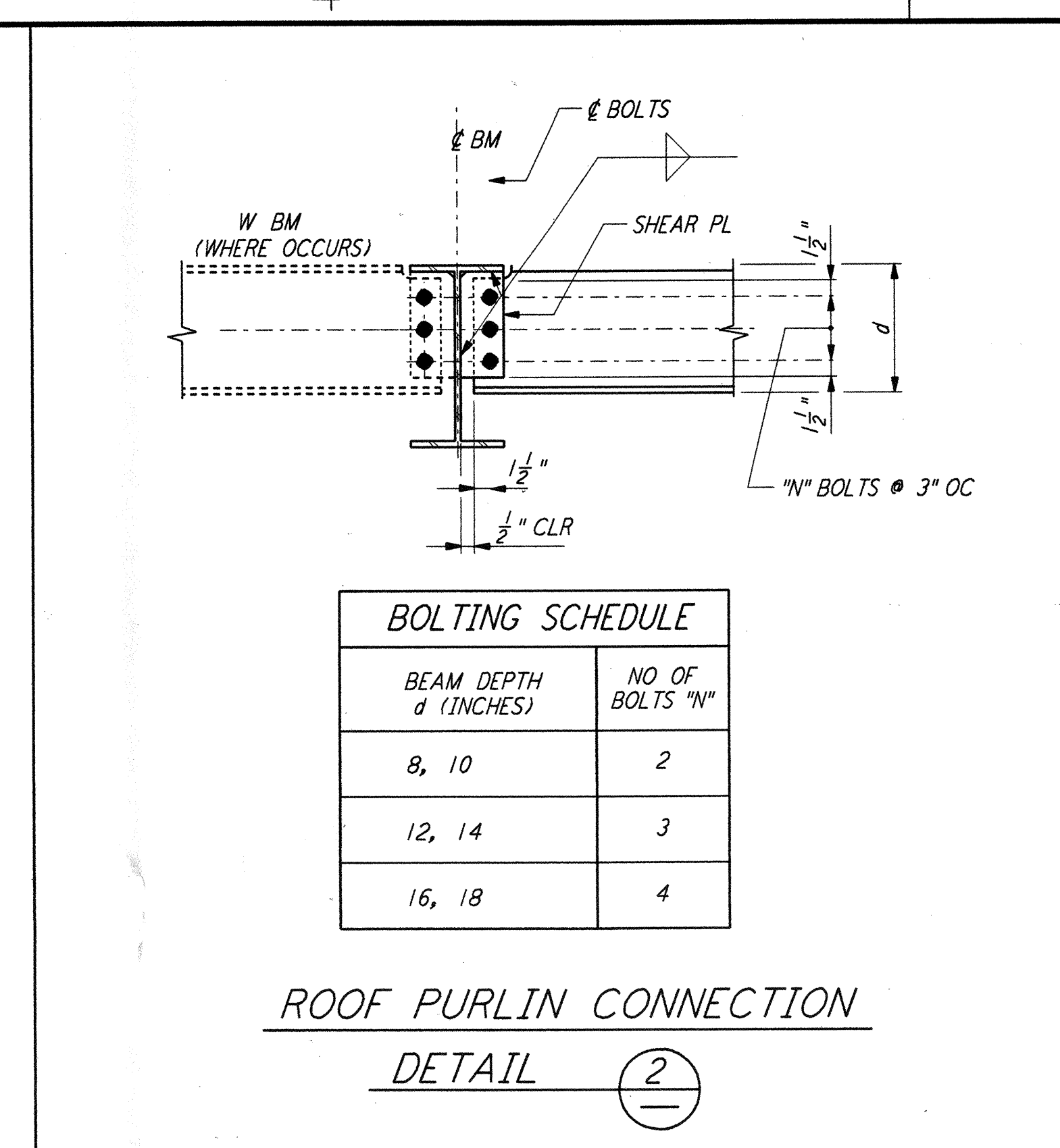


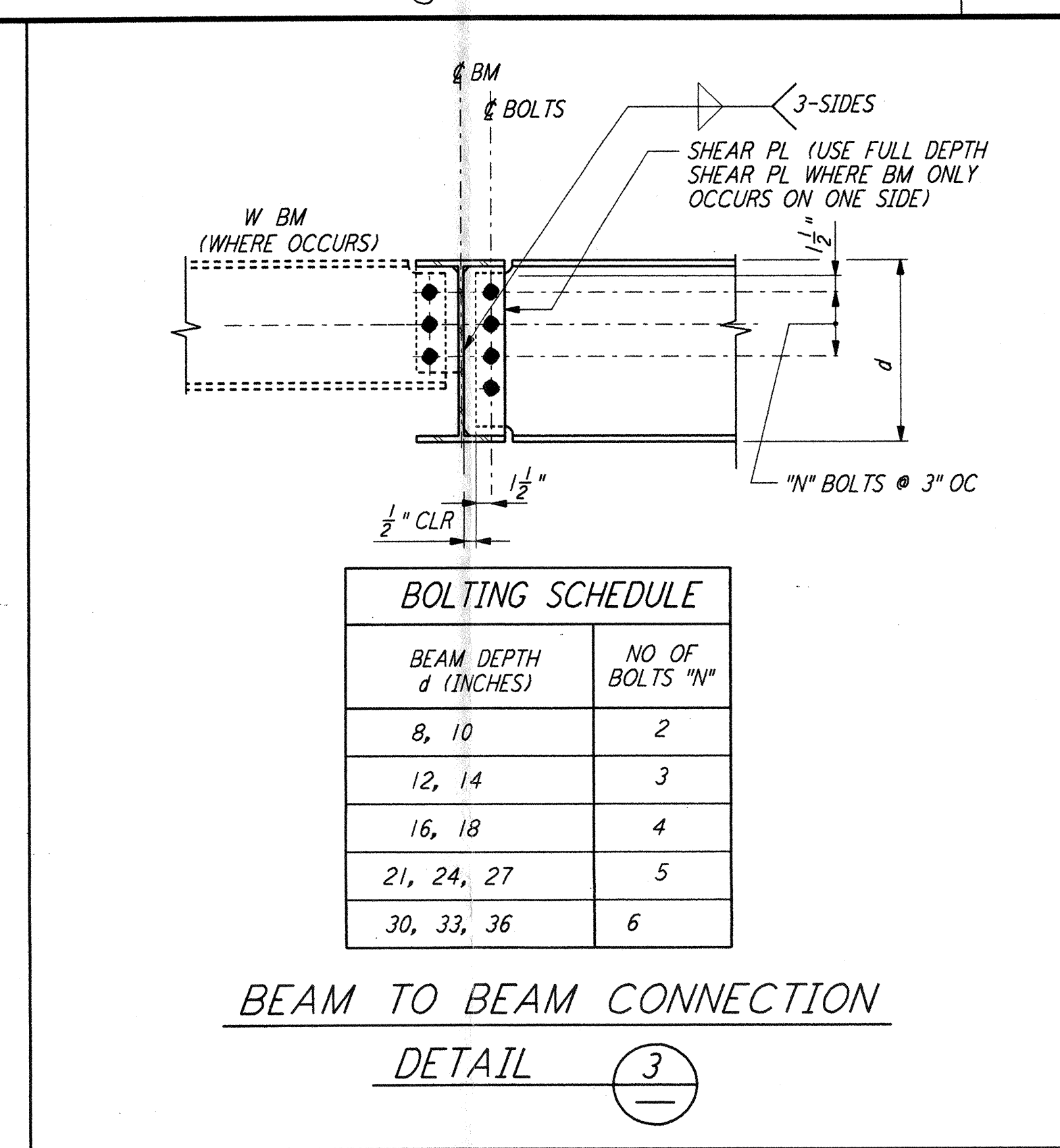
This document and the design it covers are the property of PARSONS. They are loaned only with the borrower's expressed written agreement that they will not be reproduced, copied, loaned, exhibited, or used in any other way, except by written consent from PARSONS to the borrower.



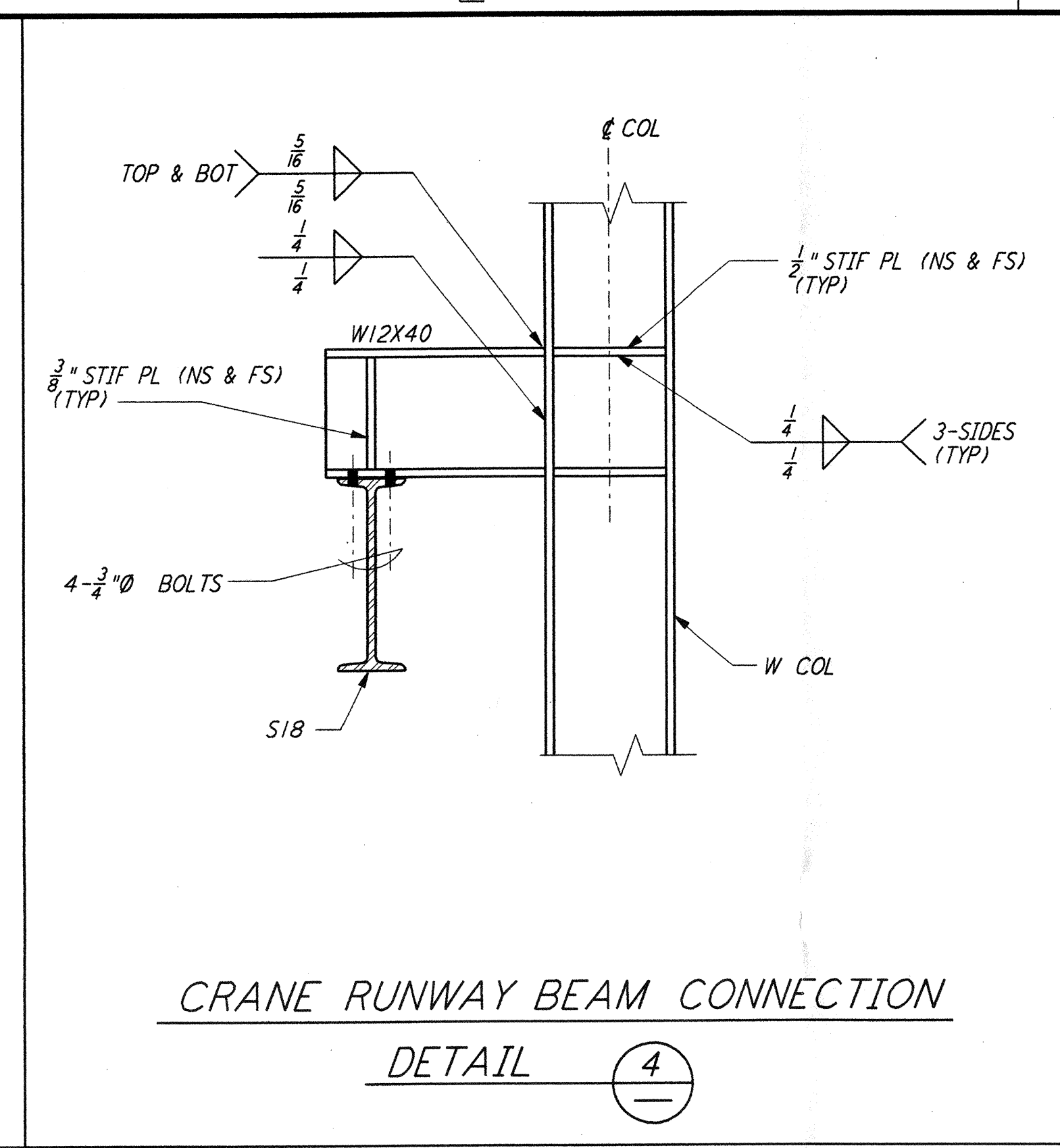
DOUBLE ANGLE SHEAR CONNECTIONS
 DETAIL 1



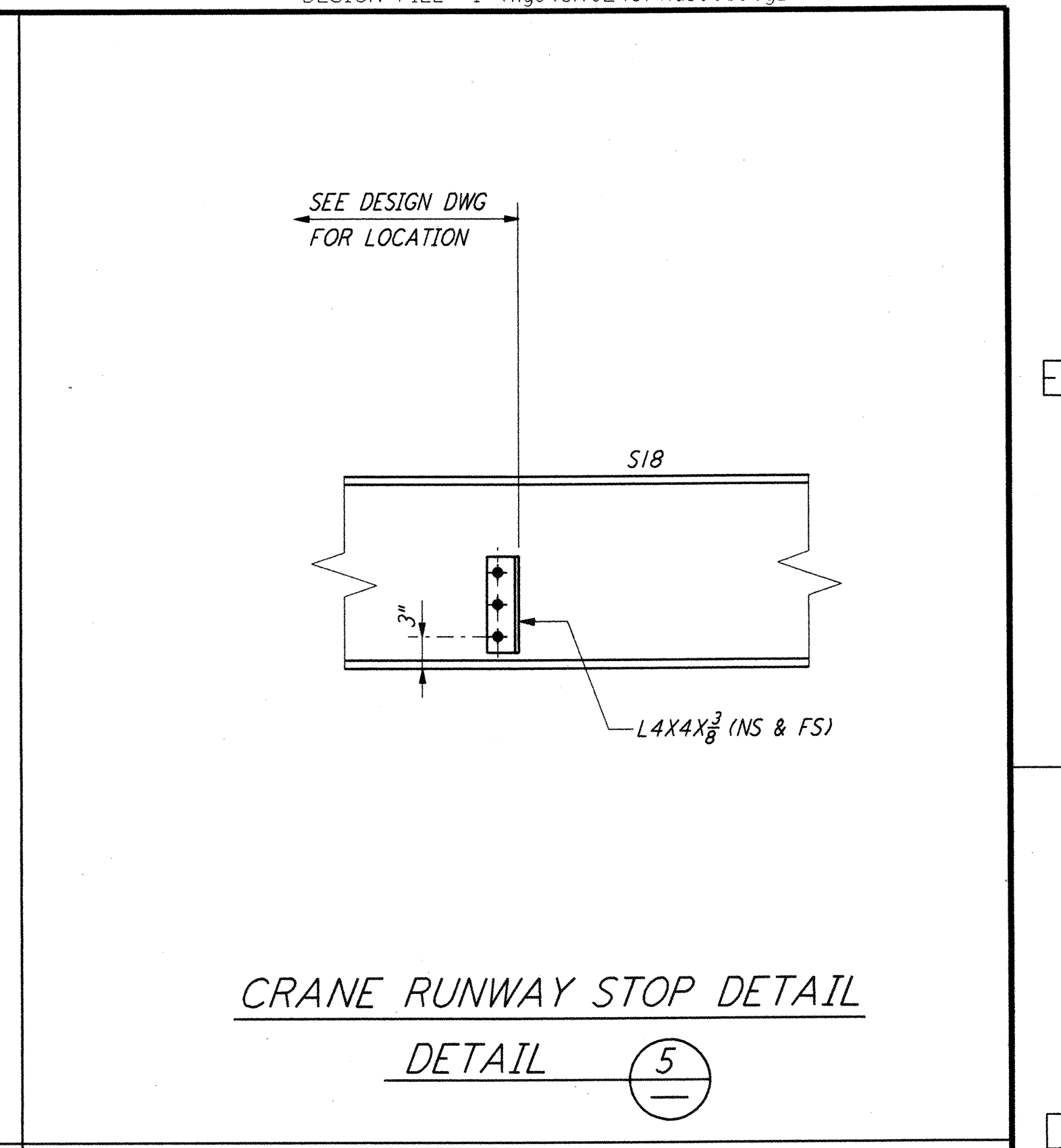
ROOF PURLIN CONNECTION
 DETAIL 2



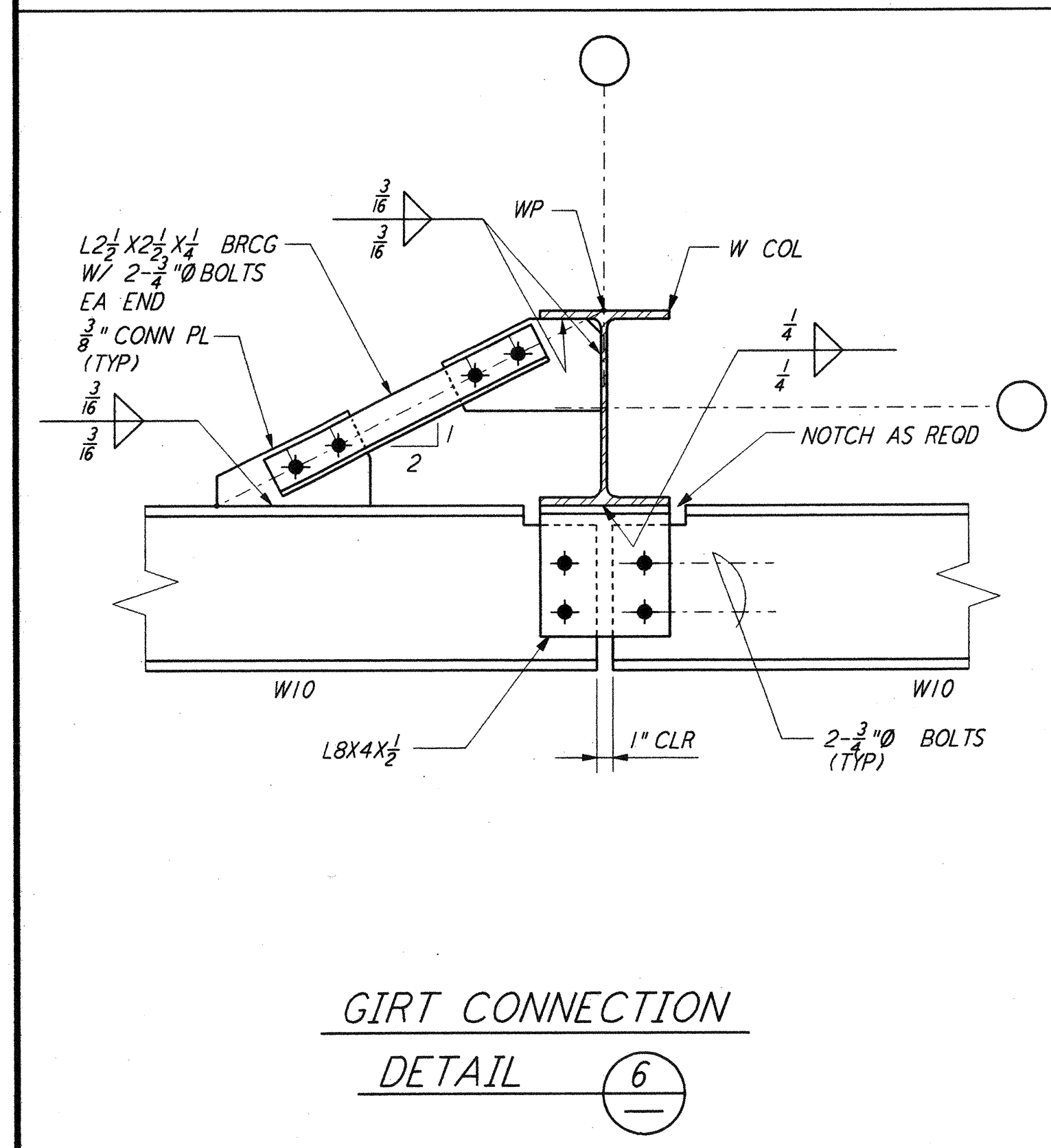
BEAM TO BEAM CONNECTION
 DETAIL 3



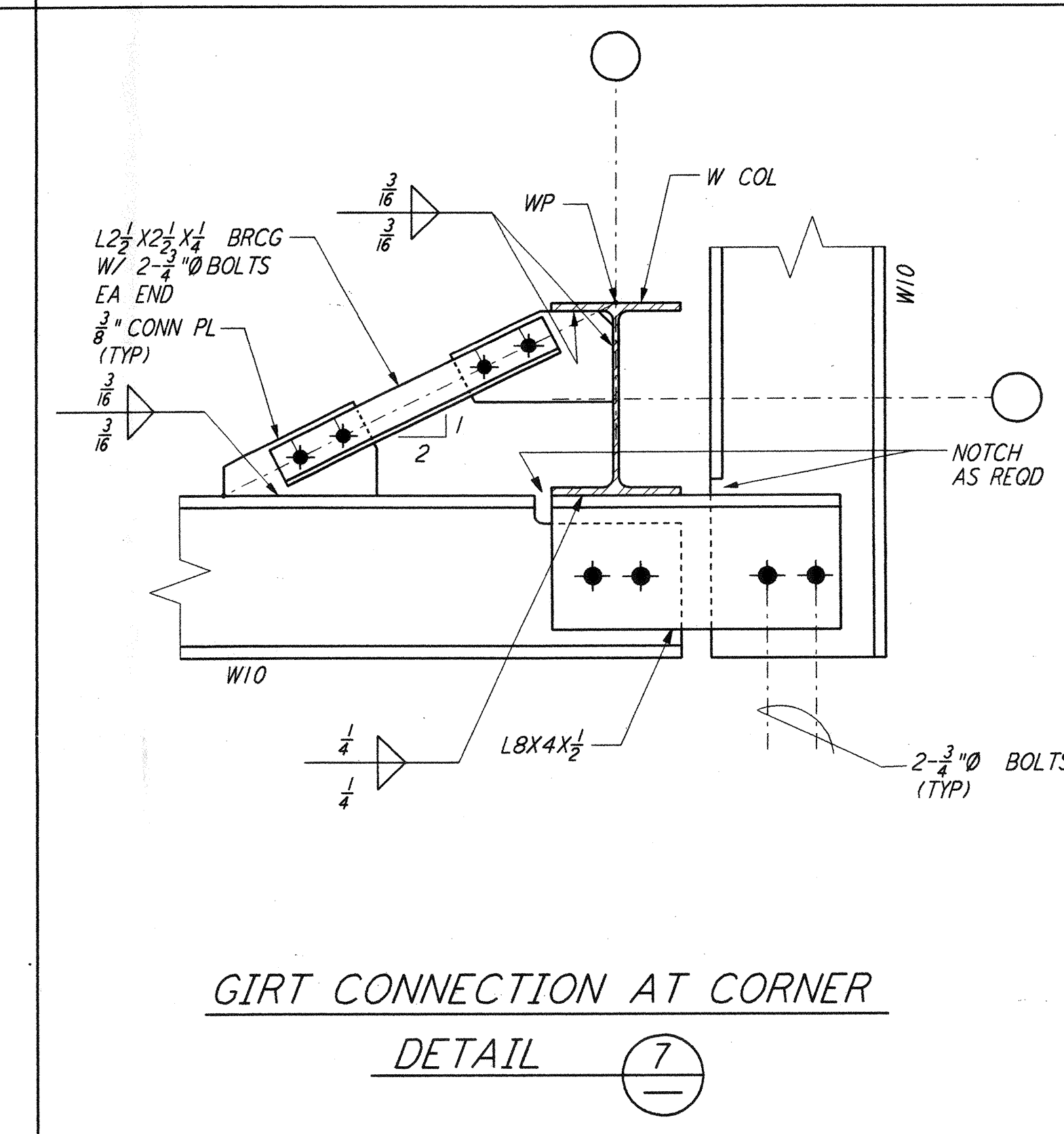
CRANE RUNWAY BEAM CONNECTION
 DETAIL 4



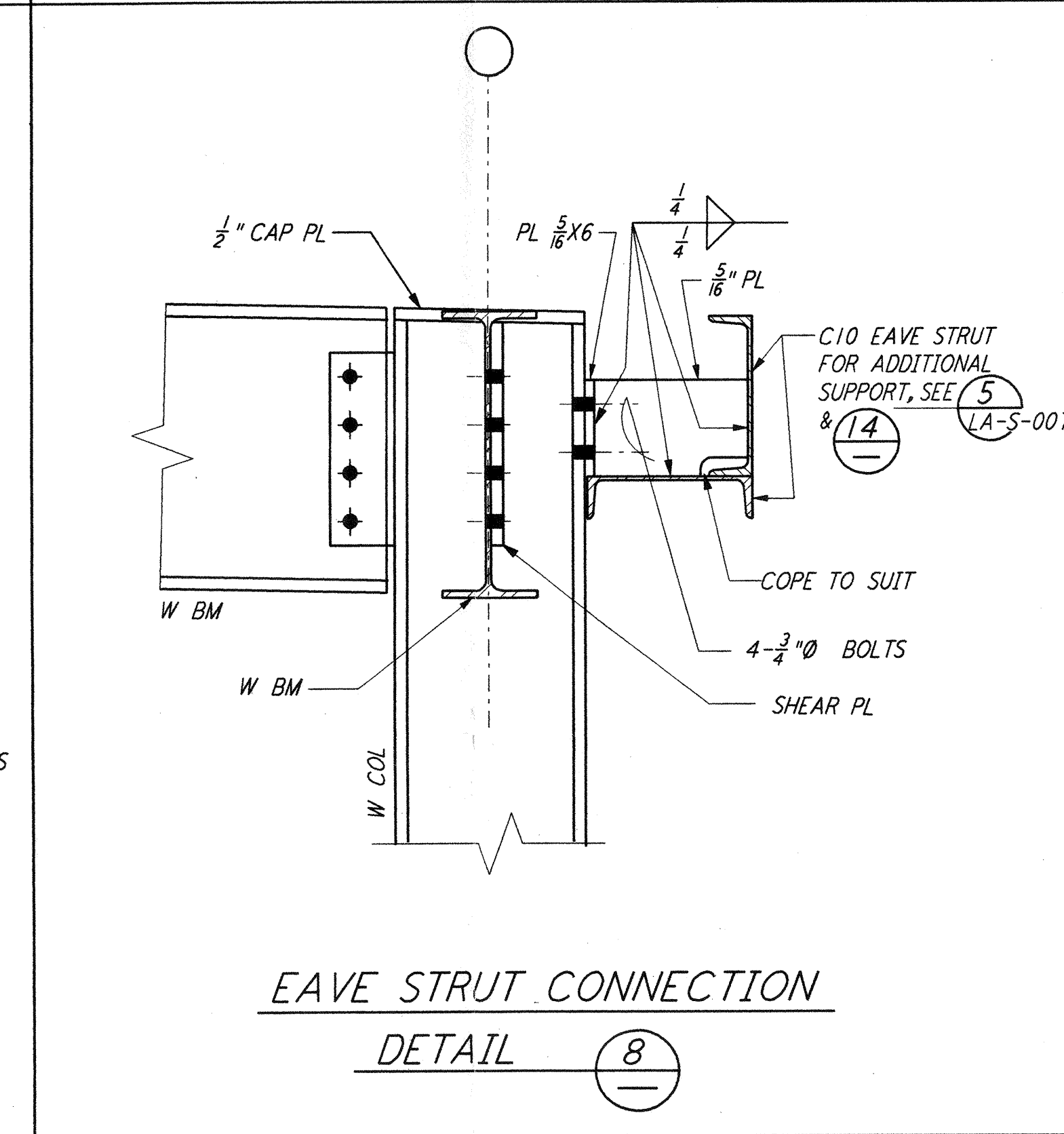
CRANE RUNWAY STOP DETAIL
 DETAIL 5



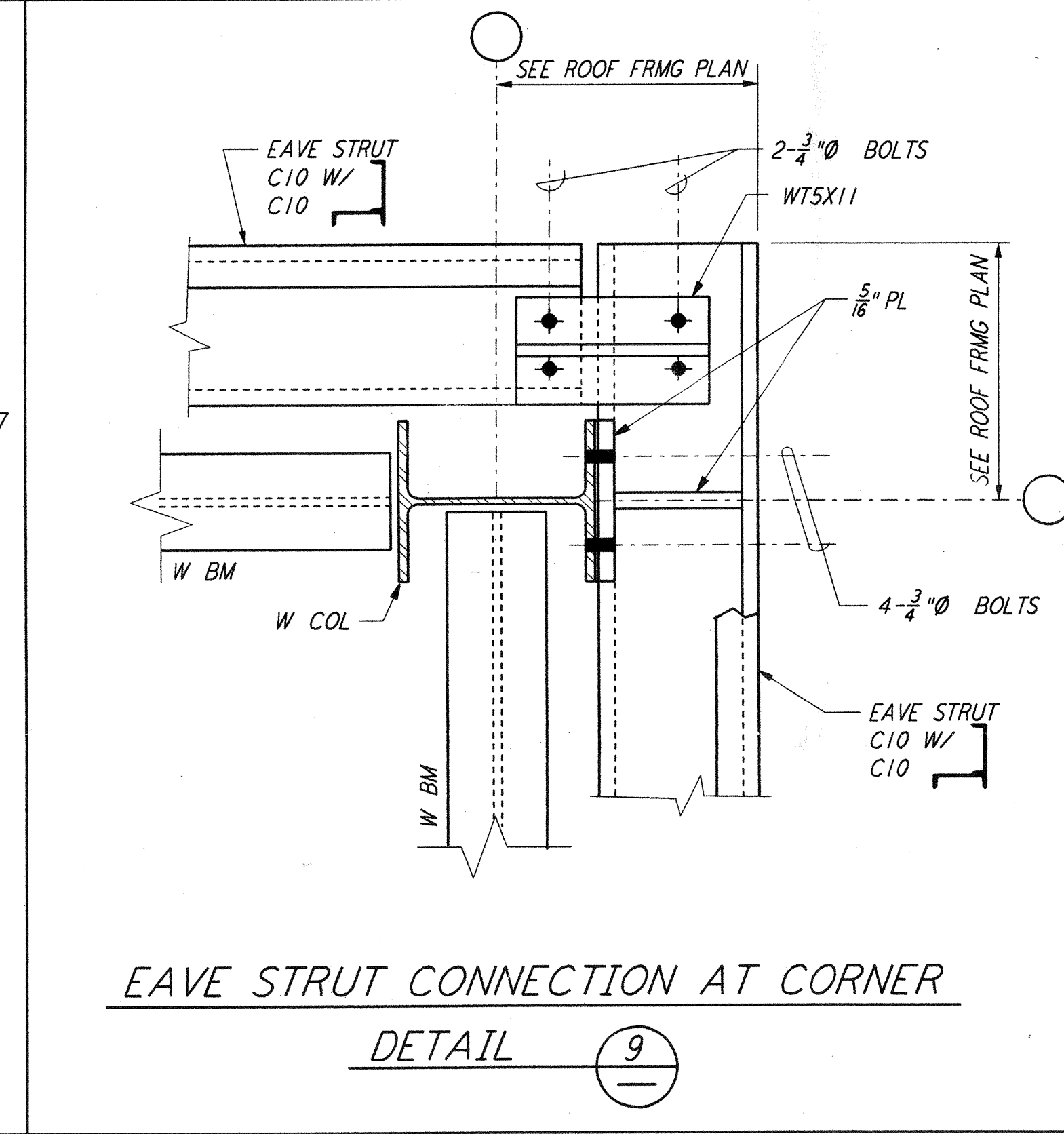
GIRT CONNECTION
 DETAIL 6



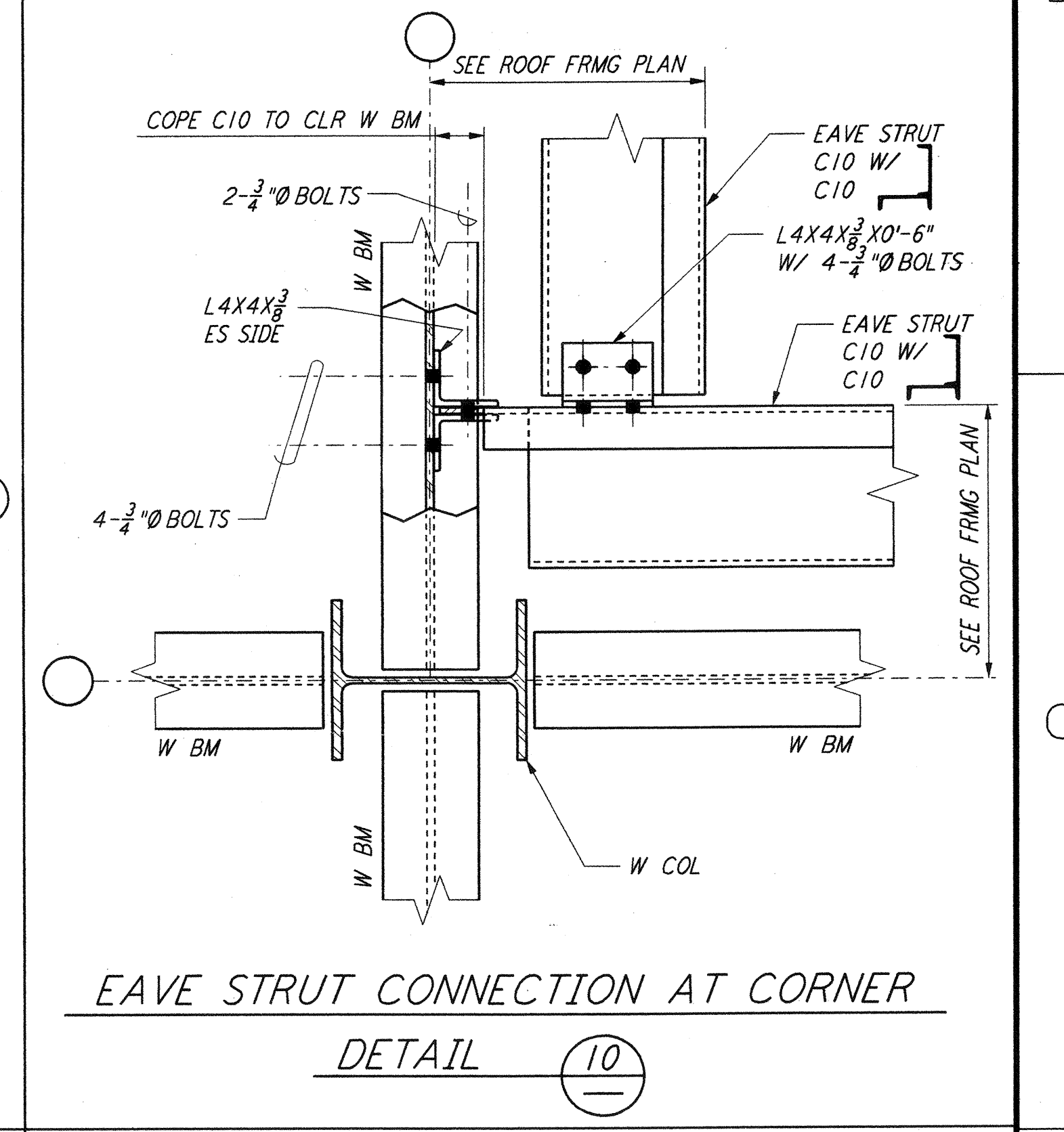
GIRT CONNECTION AT CORNER
 DETAIL 7



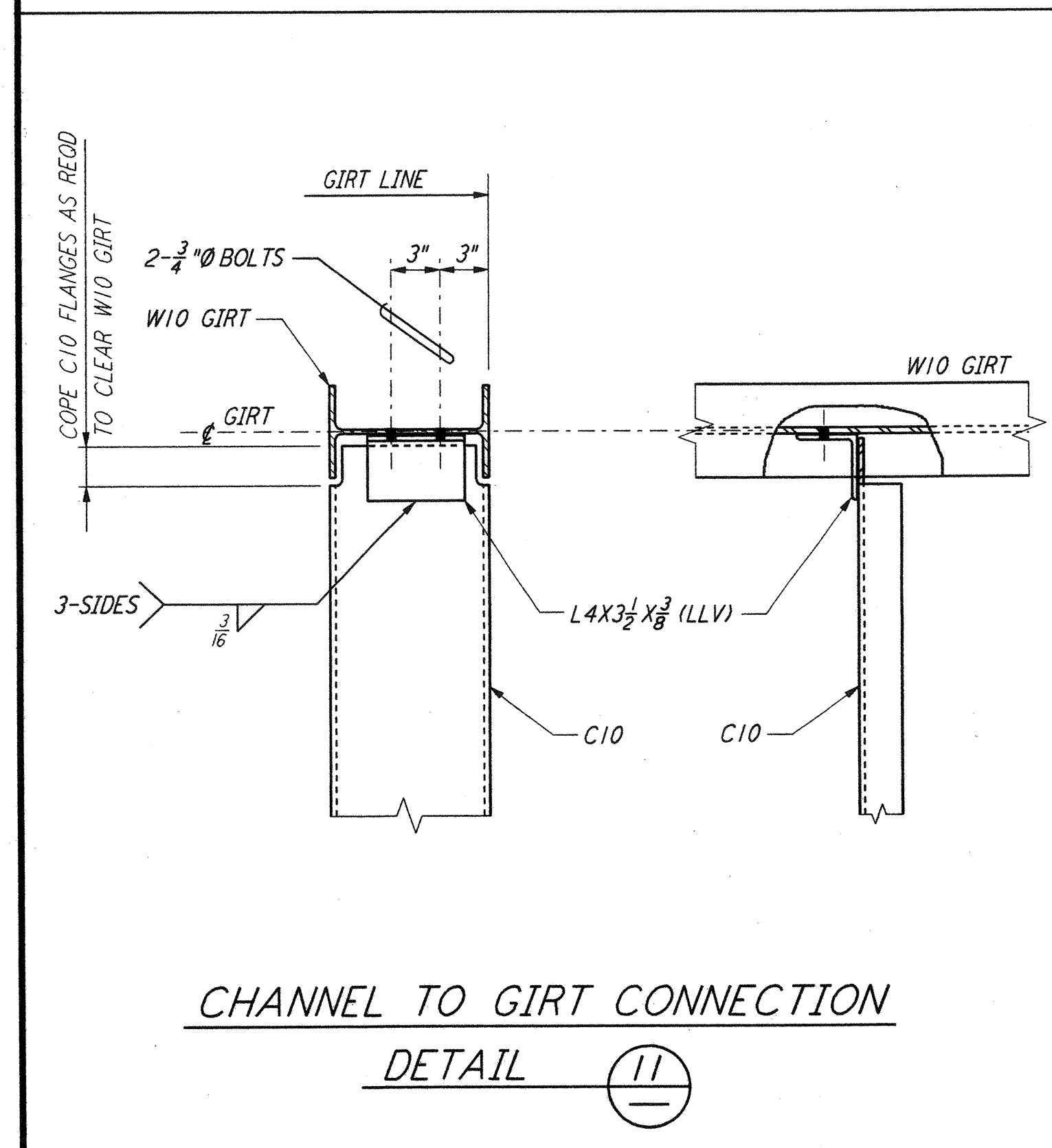
EAVE STRUT CONNECTION
 DETAIL 8



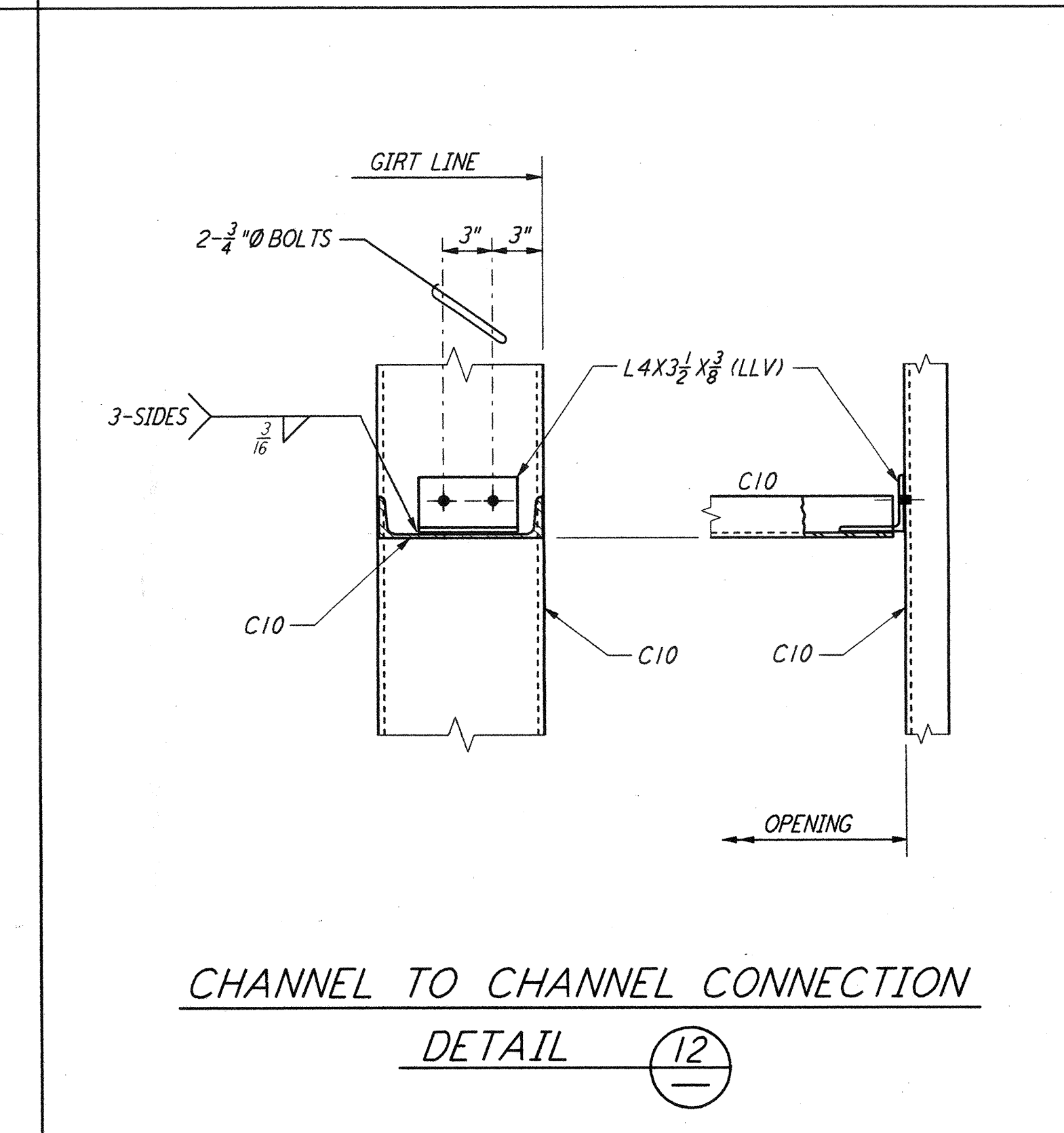
EAVE STRUT CONNECTION AT CORNER
 DETAIL 9



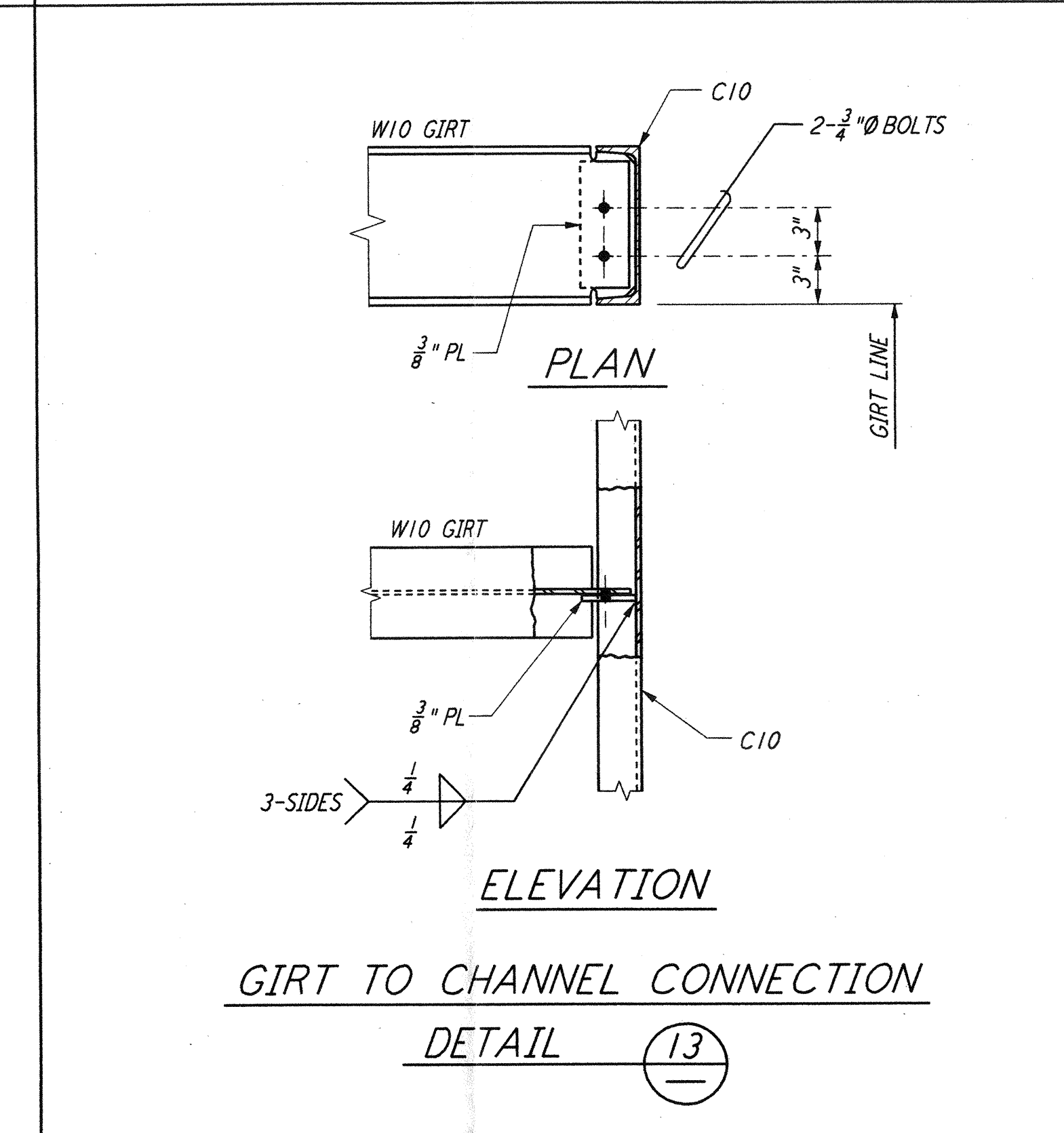
EAVE STRUT CONNECTION AT CORNER
 DETAIL 10



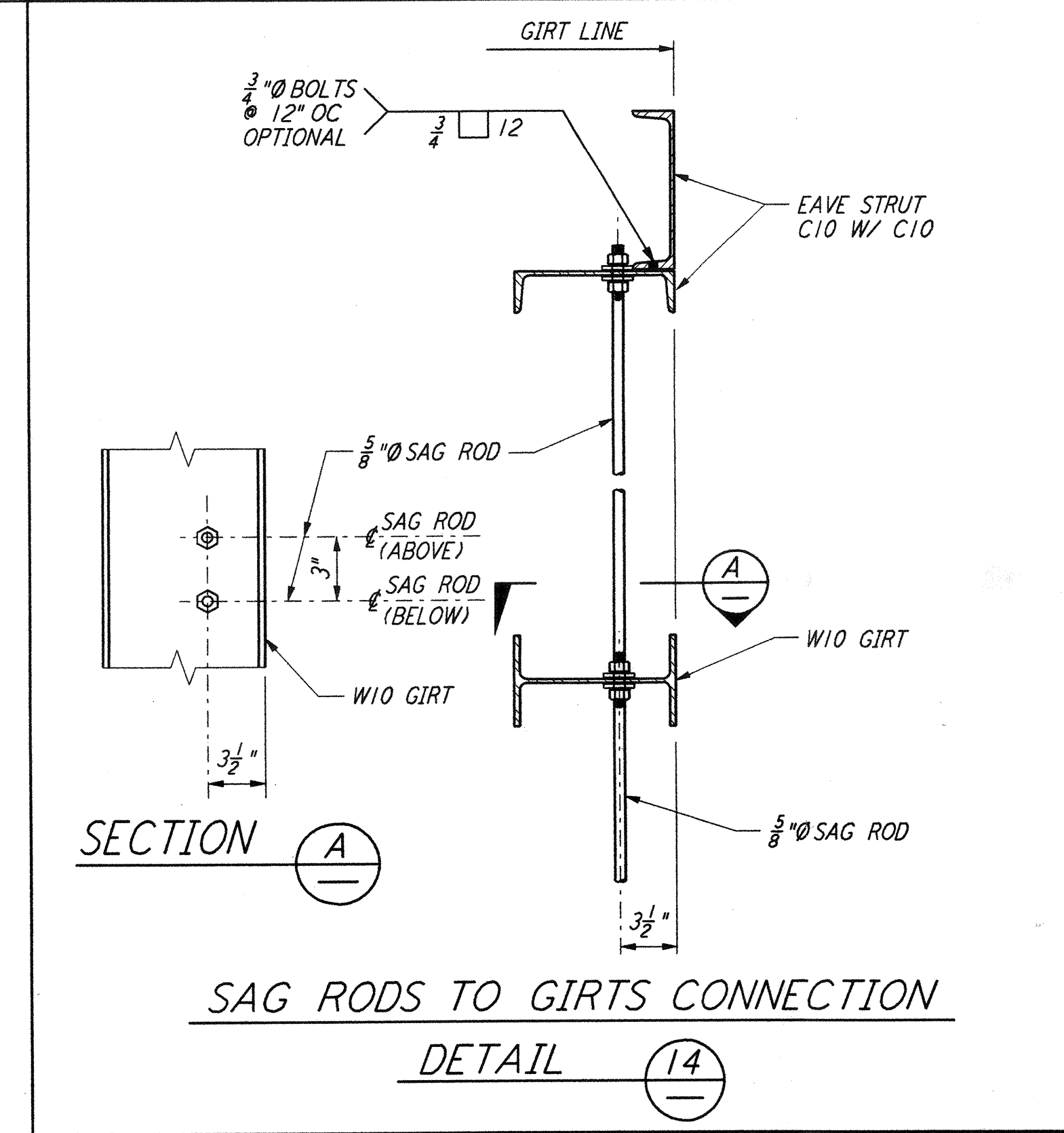
CHANNEL TO GIRT CONNECTION
 DETAIL 11



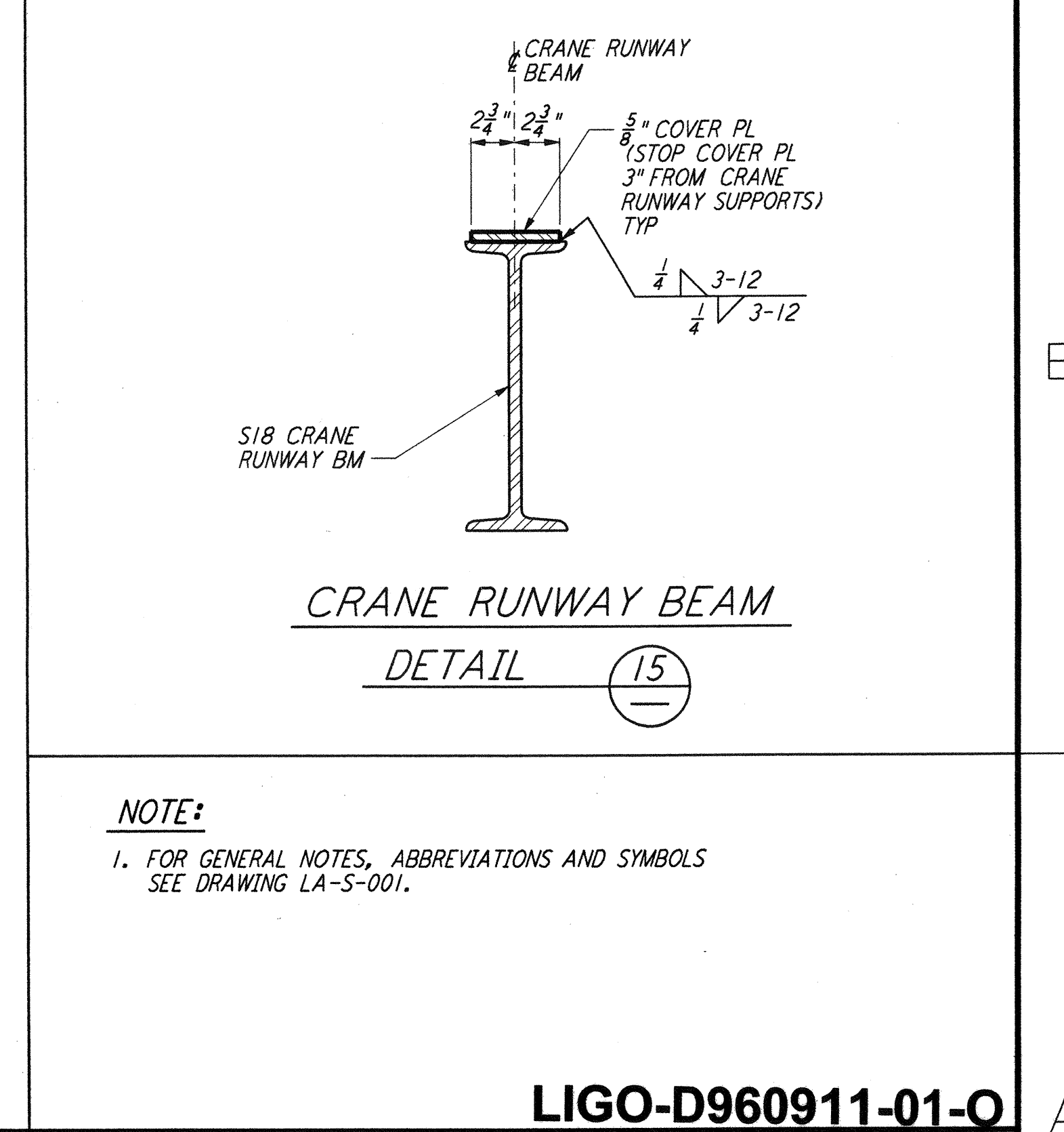
CHANNEL TO CHANNEL CONNECTION
 DETAIL 12



GIRT TO CHANNEL CONNECTION
 DETAIL 13



SAG RODS TO GIRTS CONNECTION
 DETAIL 14



CRANE RUNWAY BEAM
 DETAIL 15

NOTE:
 1. FOR GENERAL NOTES, ABBREVIATIONS AND SYMBOLS SEE DRAWING LA-S-001.

NO.	DATE	BY	CHKD	ENGR	PROJ	DESCRIPTION
1	08-07-98	WA	BP	BP	WU	ISSUED FOR AS-BUILT

ISSUED FOR CONSTRUCTION
 DRAWN MCS 11-15-96
 CHECKED DDM 11-15-96
 ENGINEER BP 11-15-96
 PROJ TDM 11-15-96

AS-BUILT DRAWINGS

PARSONS

100 WEST WALNUT STREET
 PASADENA, CALIFORNIA

LIGO

CALIFORNIA INSTITUTE OF TECHNOLOGY
 MASSACHUSETTS INSTITUTE OF TECHNOLOGY

LIGO-D960911-01-0

LASER INTERFEROMETER
 GRAVITATIONAL-WAVE OBSERVATORY
 SITE NO. 2 - LIVINGSTON, LOUISIANA

TITLE	SCALE	CONTRACT NUMBER	PROJECT NUMBER
STRUCTURAL STANDARD CONNECTION DETAILS SHEET 2	NONE	PP150969	8094
SHEET NUMBER	REVISIONS		
LA-S-005			