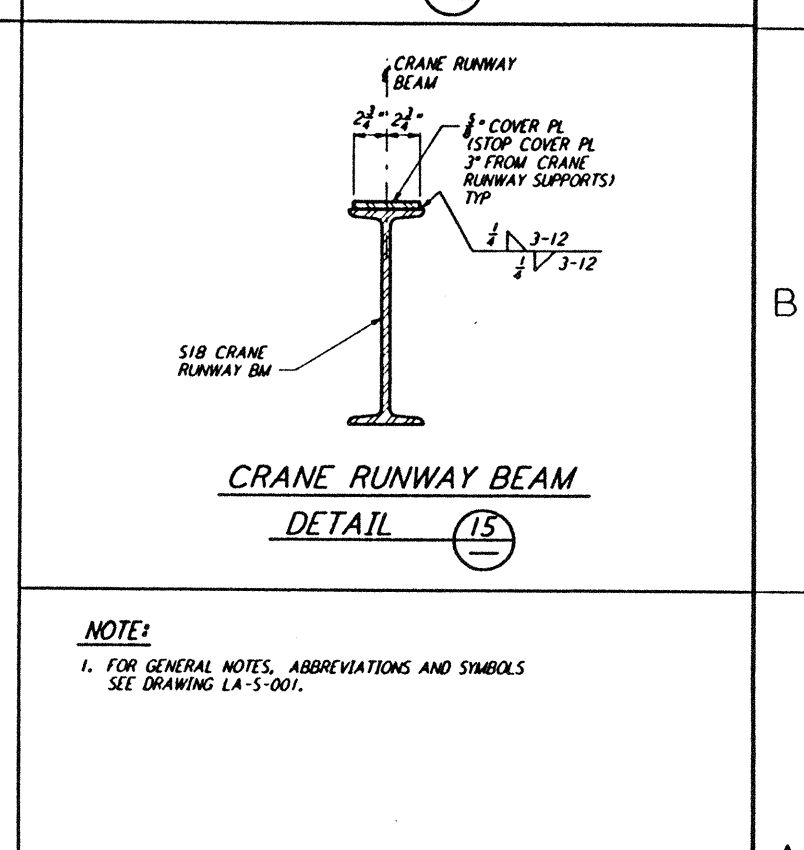
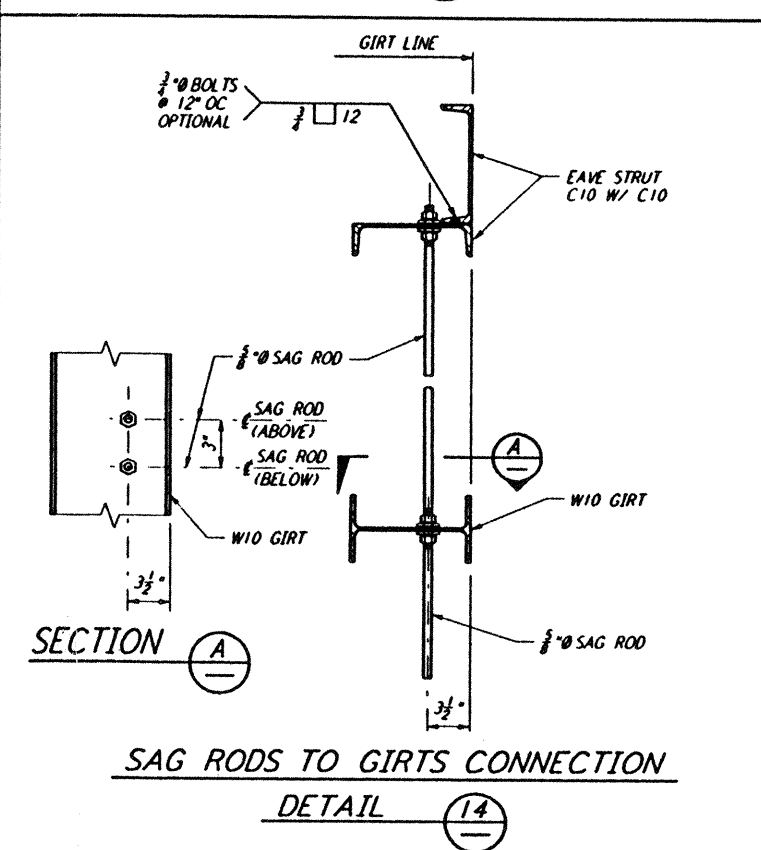
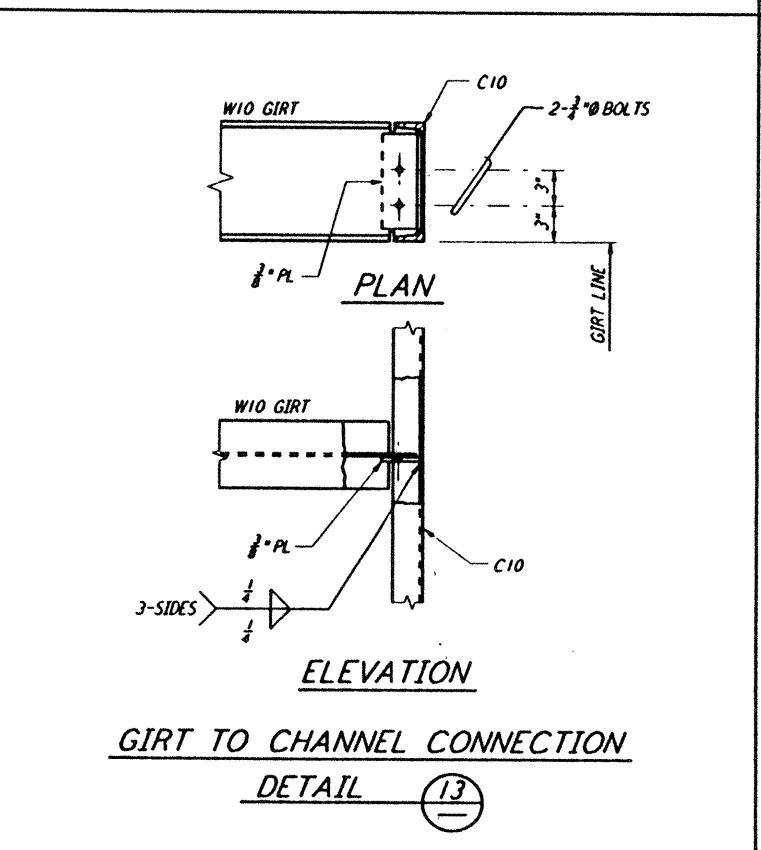
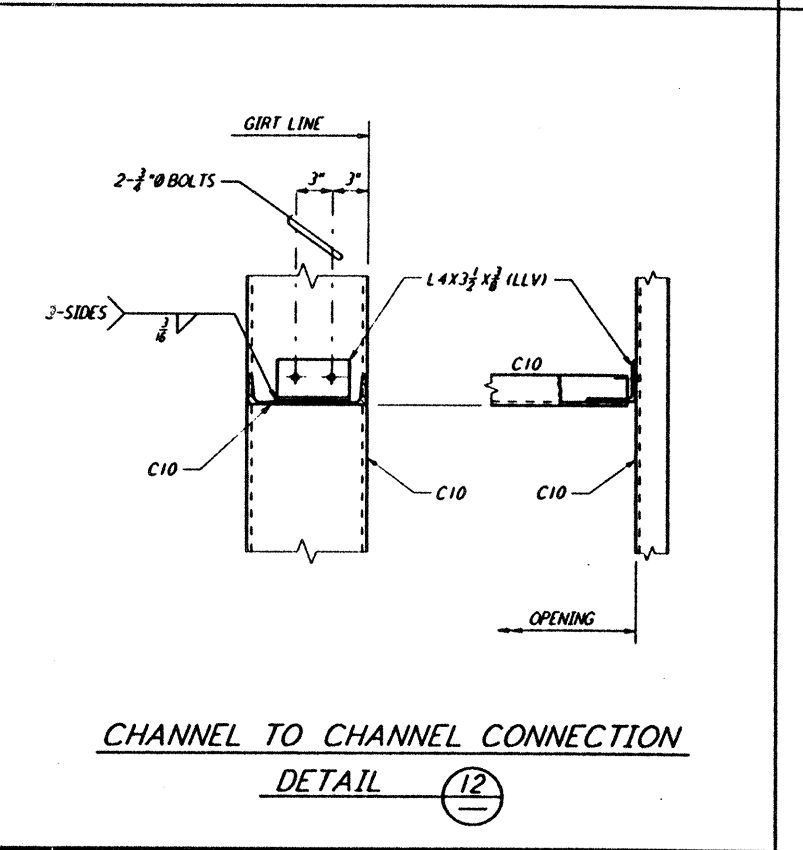
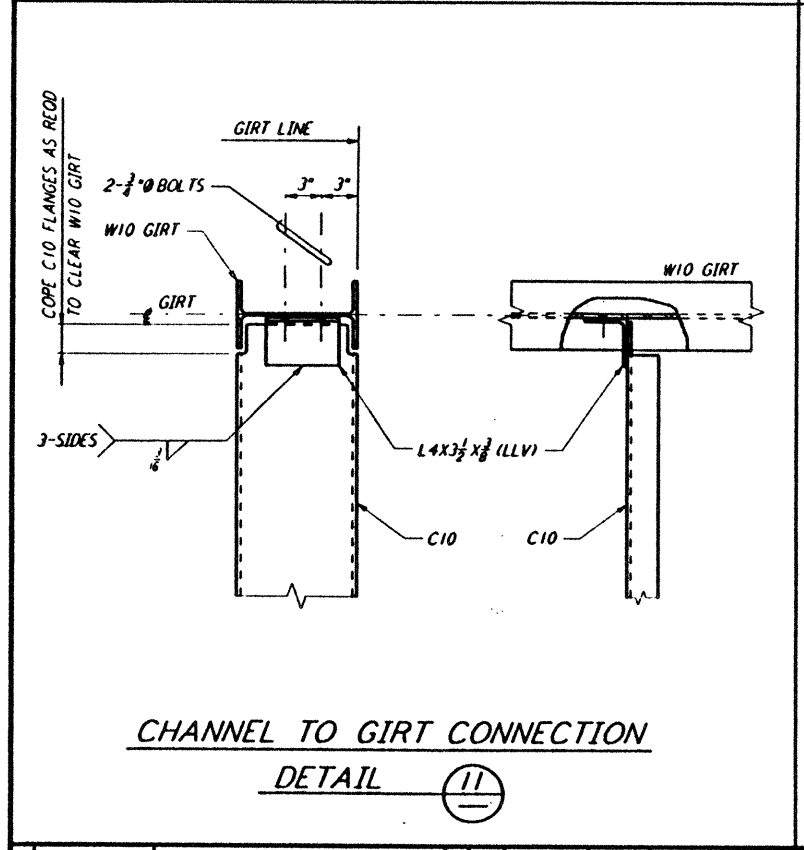
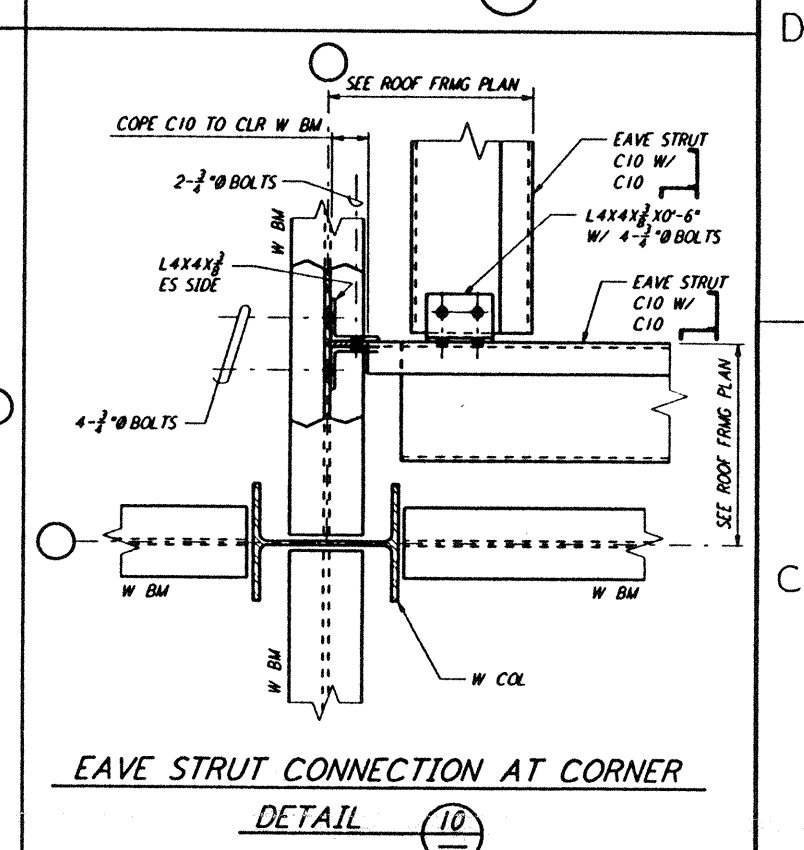
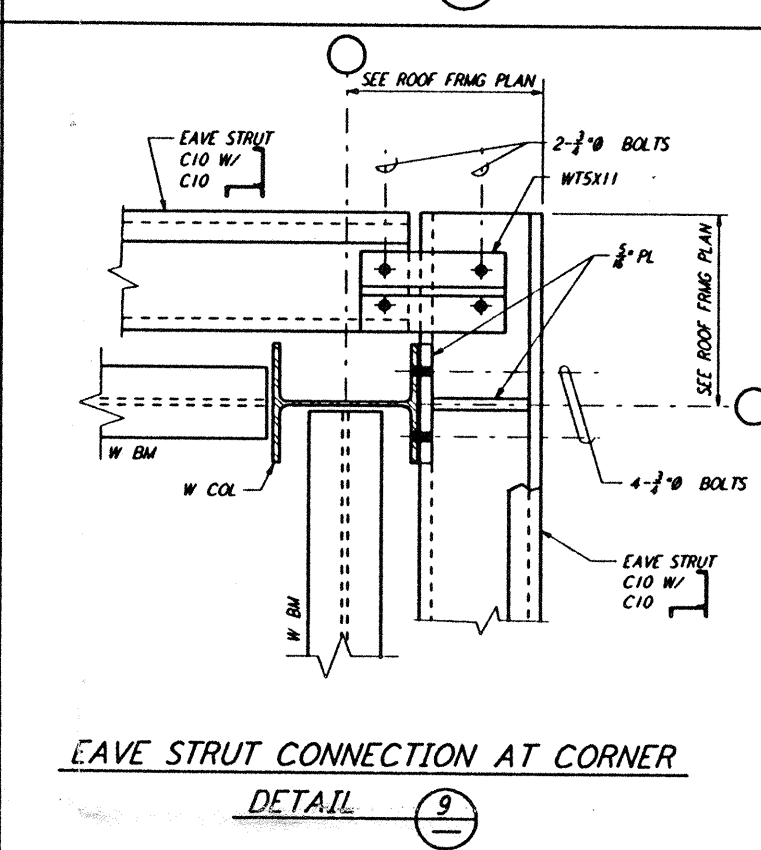
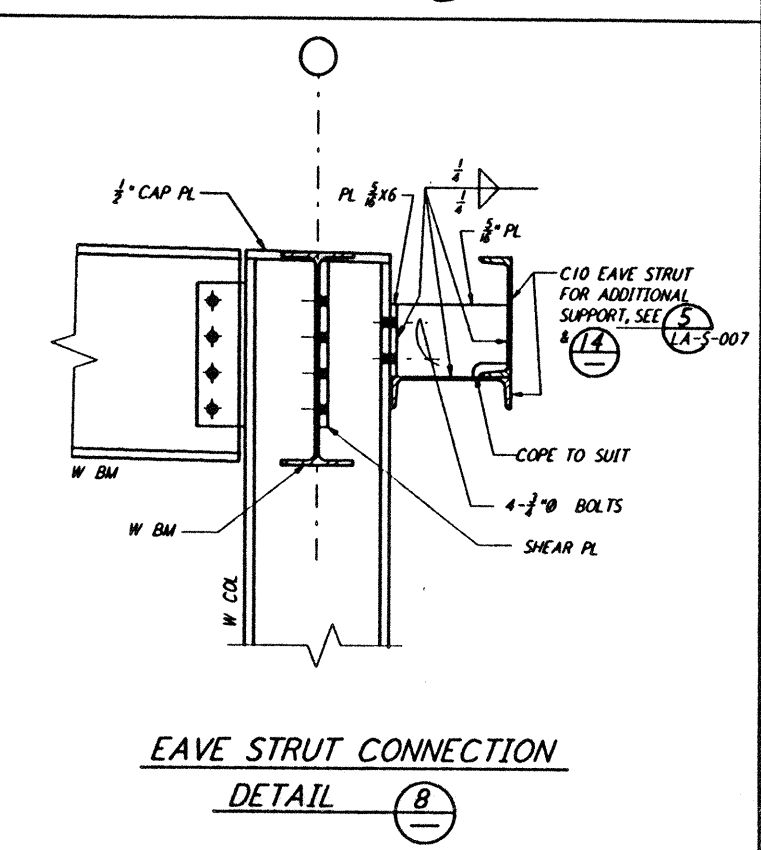
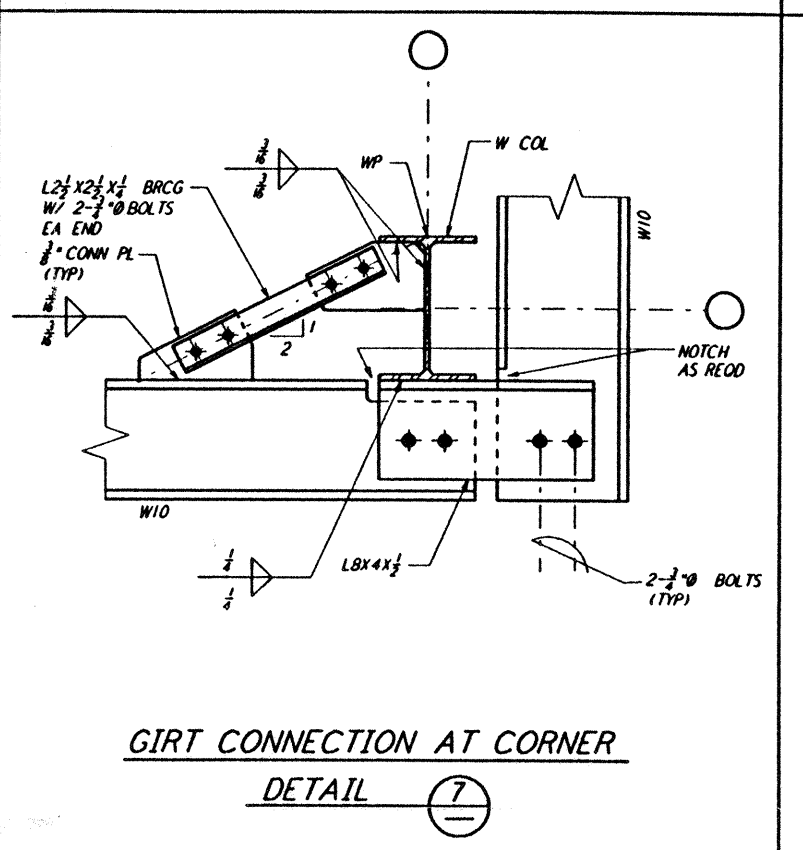
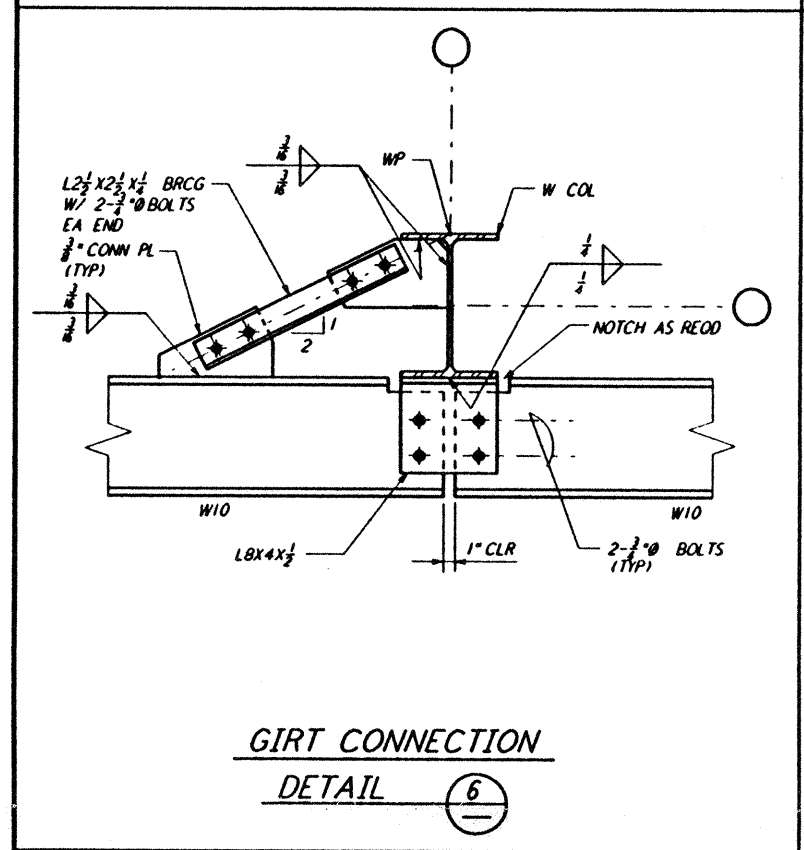
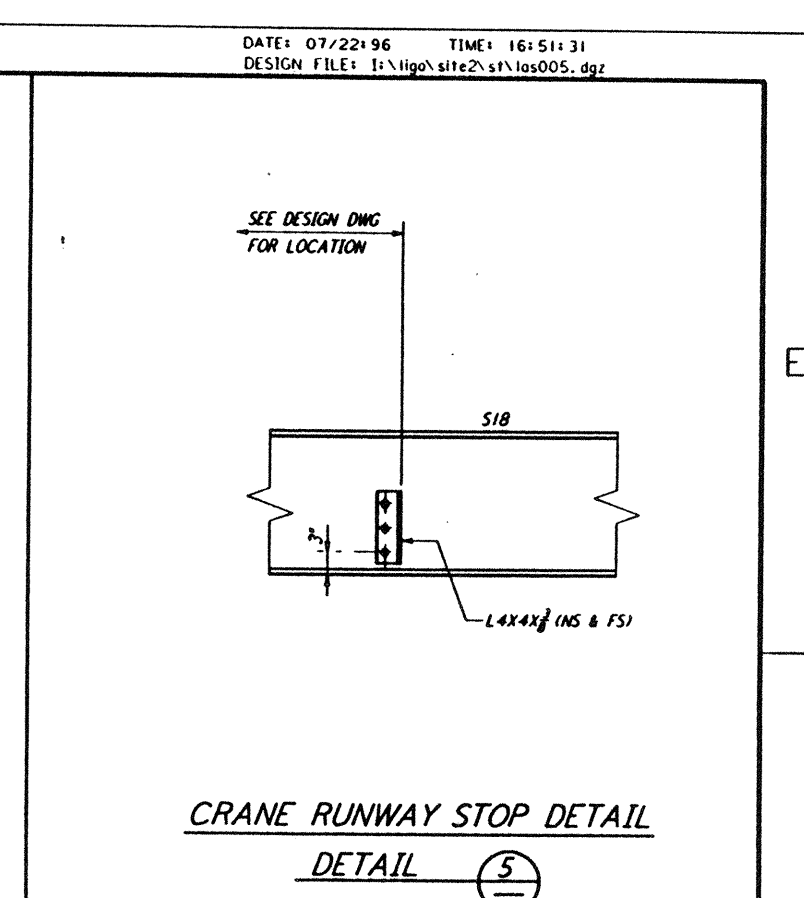
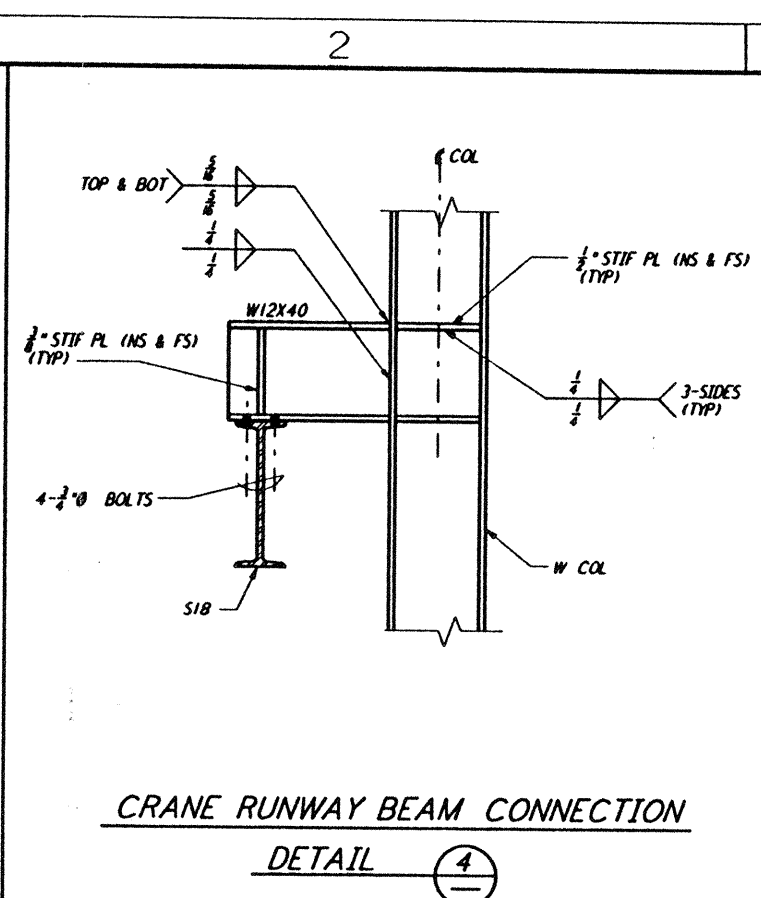
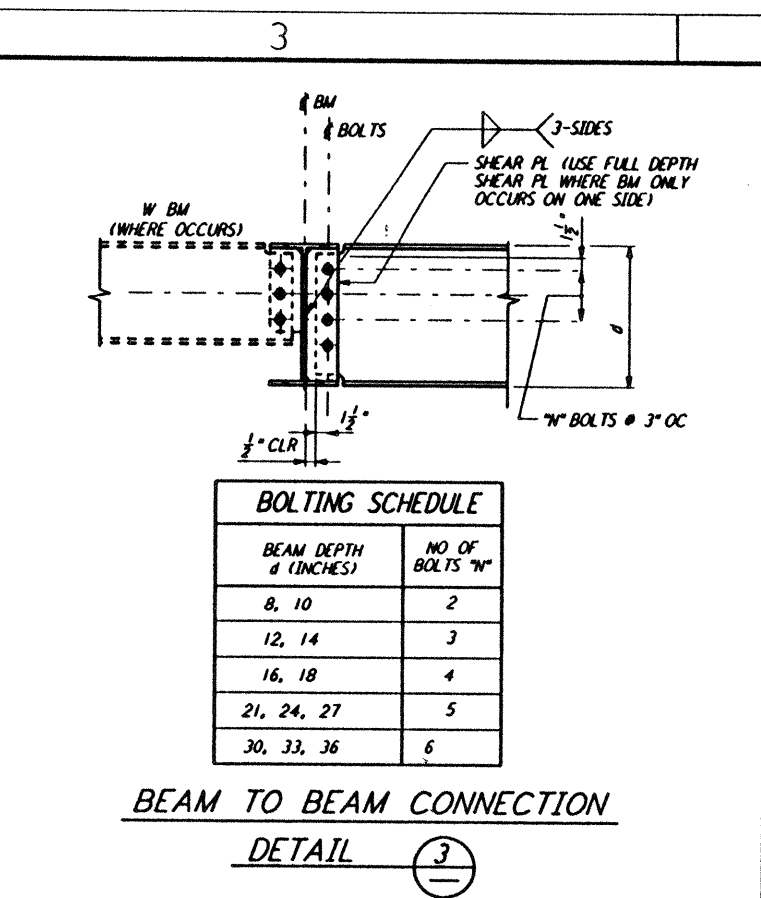
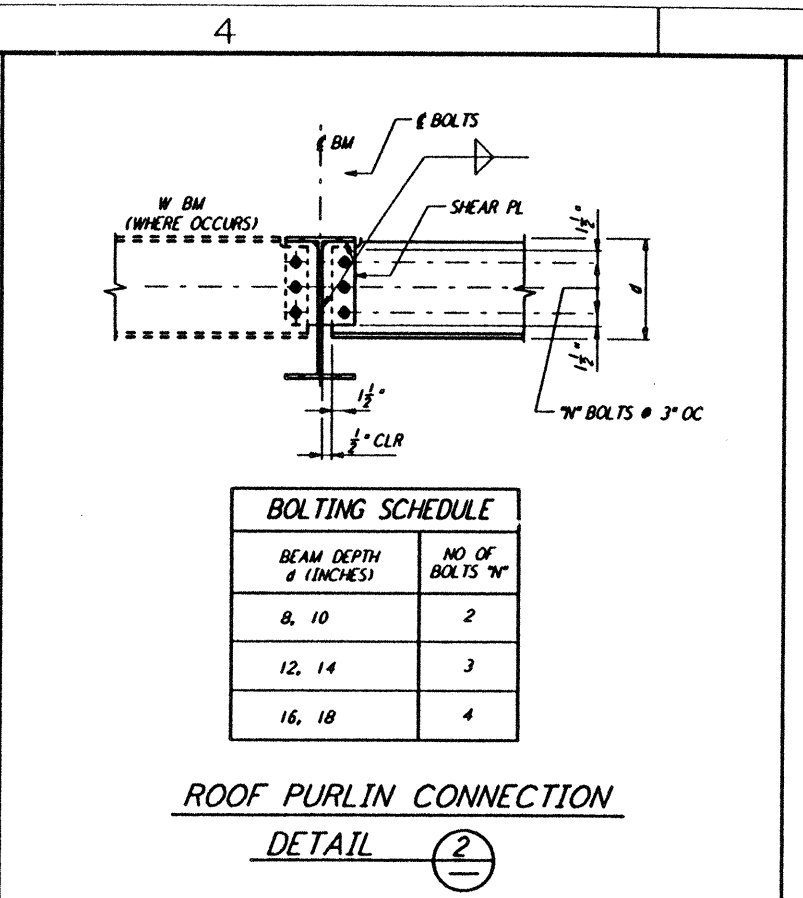
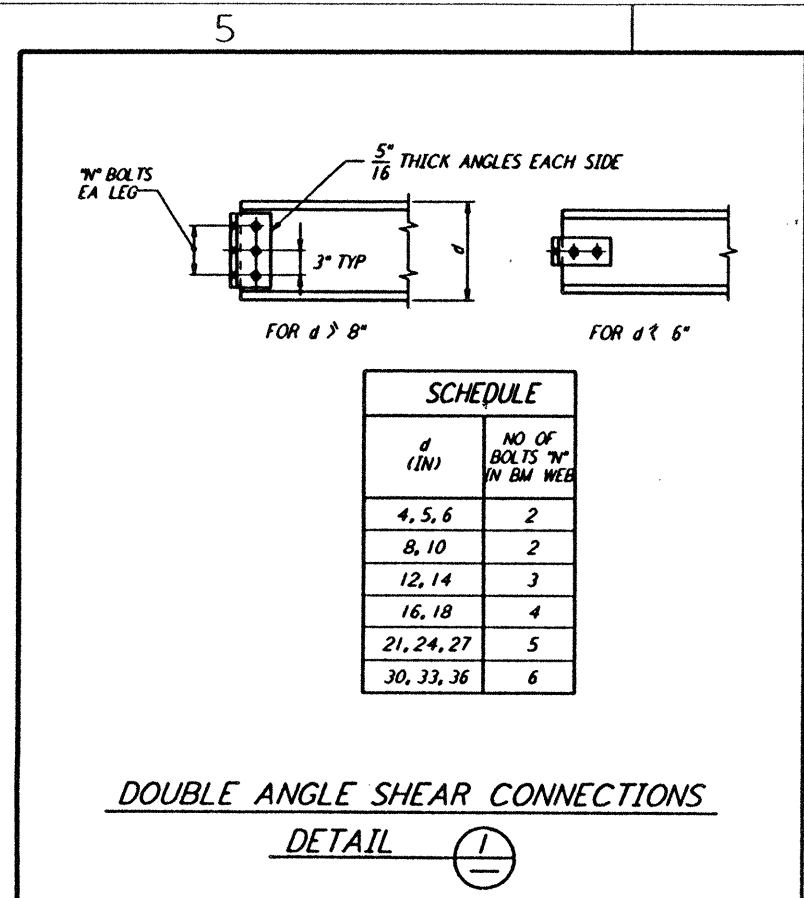


Mon Jul 22 16:50:41 1996 S3-V1802 J:\PLOTS\QUEUES\18B2\ST005.PRF

DATE: 07/22/96 TIME: 16:51:31  
 DESIGN FILE: I:\ligo\site2\st\las005.dgn



NOTE:  
 1. FOR GENERAL NOTES, ABBREVIATIONS AND SYMBOLS SEE DRAWING LA-5-001.

NO.	DATE	BY	CHKD	ENGR	PROJ	DESCRIPTION
C	7-24-96	MCS	BP	TDM		ISSUED FOR BID
B	6-14-96	MCS	DDM	TDM		FINAL DESIGN REVIEW
A	10-31-95			TDM		PRELIMINARY DESIGN REVIEW

DRAWN	MCS
CHECKED	
ENGINEER	
PROJ	

**PARSONS**  
 100 WEST WALNUT STREET  
 PASADENA, CALIFORNIA

**LIGO**  
 CALIFORNIA INSTITUTE OF TECHNOLOGY  
 MASSACHUSETTS INSTITUTE OF TECHNOLOGY

LASER INTERFEROMETER  
 GRAVITATIONAL-WAVE OBSERVATORY  
 SITE NO. 2 - LIVINGSTON, LOUISIANA

TITLE	SCALE	CONTRACT NUMBER	PROJECT NUMBER
STRUCTURAL STANDARD	NONE	PP150969	8094
STRUCTURAL STEEL CONNECTION DETAILS SHEET 2			

**LA-S-005**