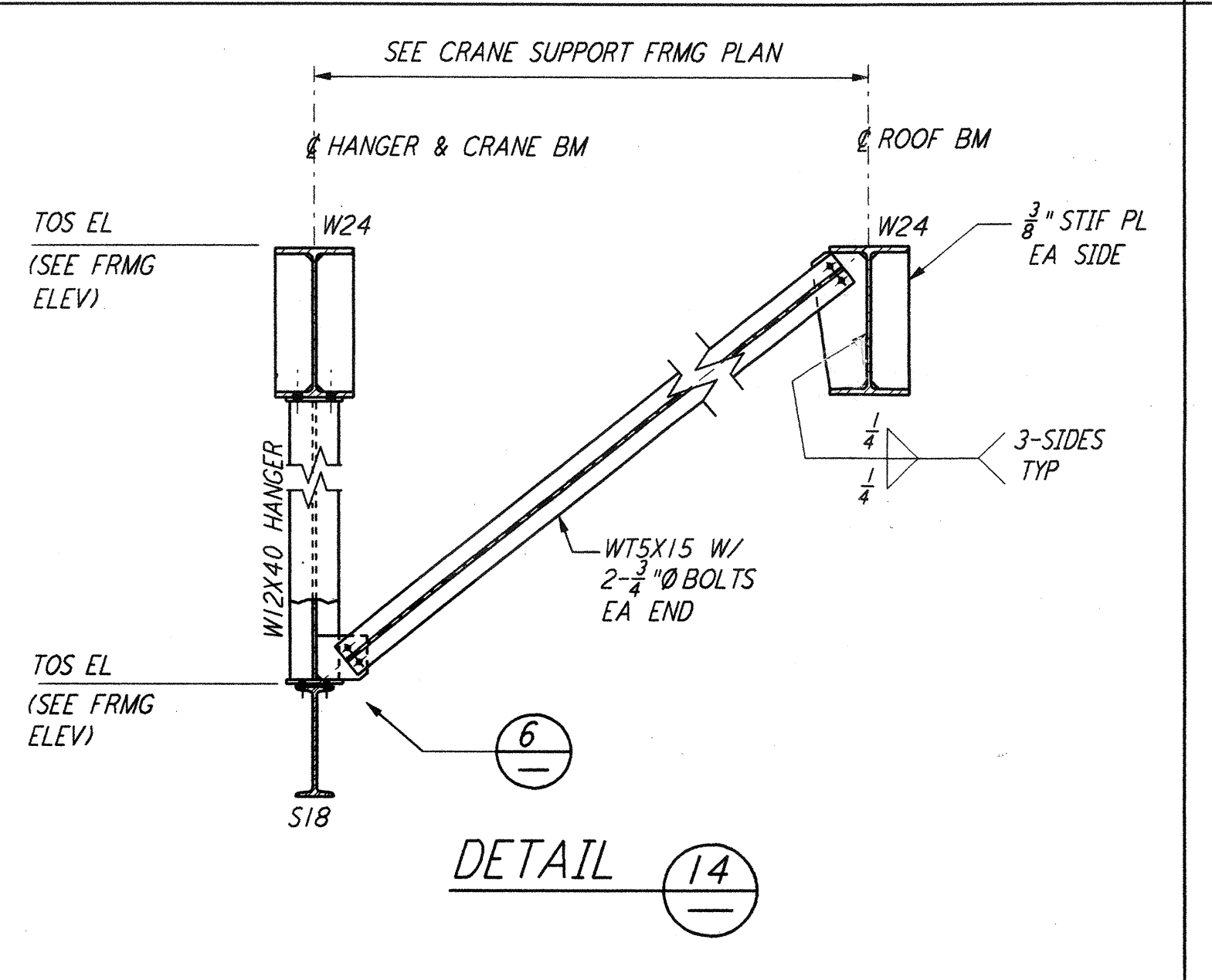
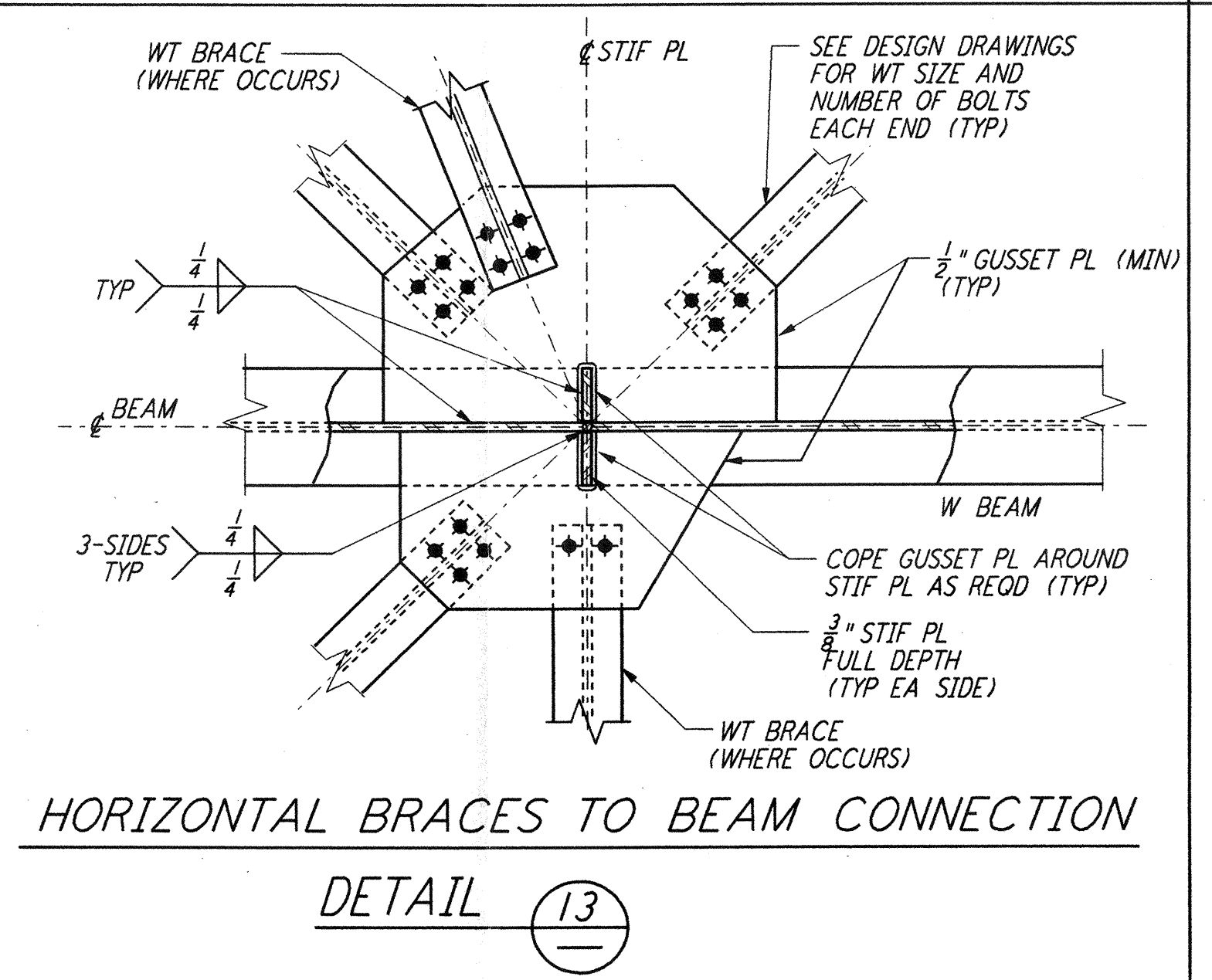
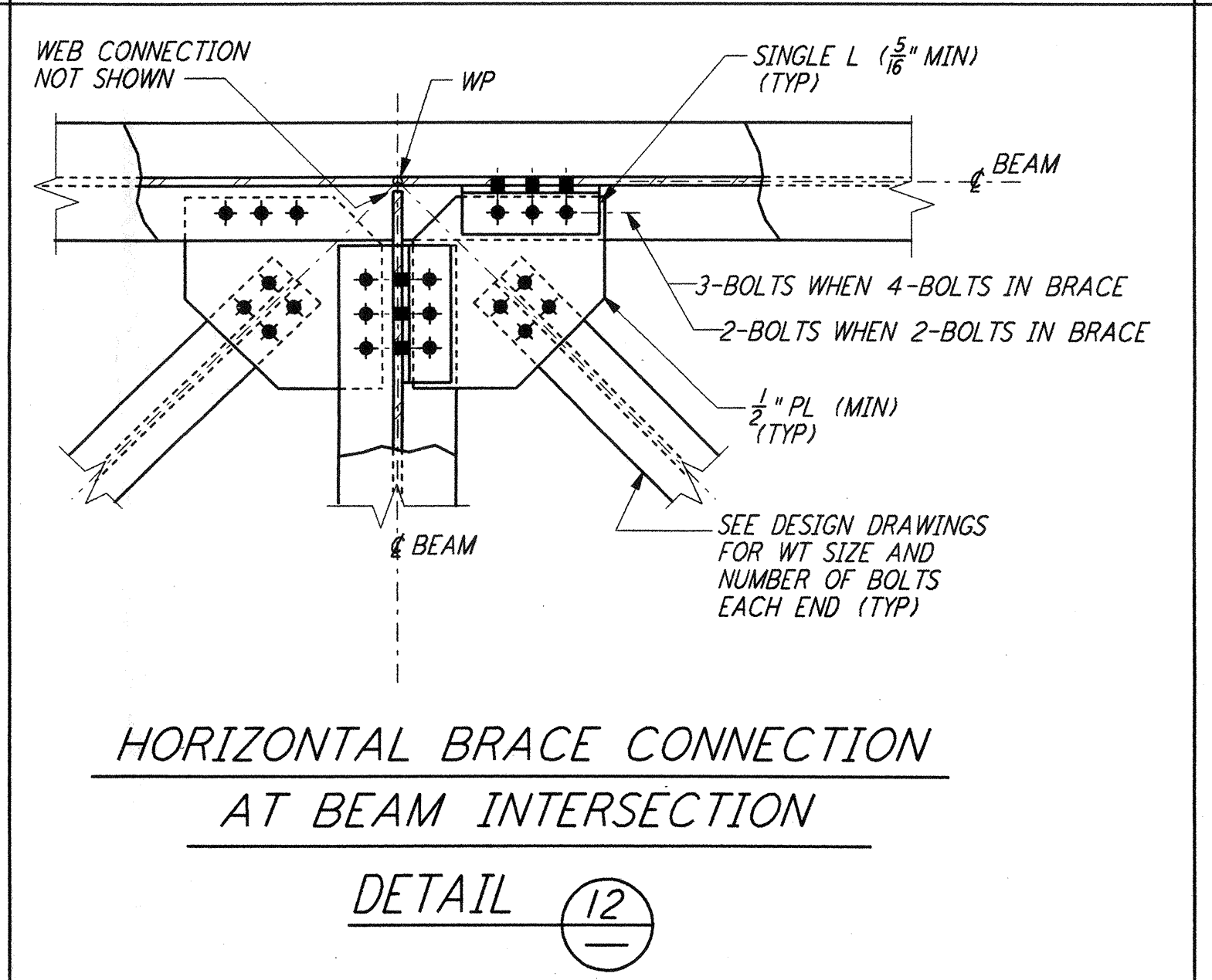
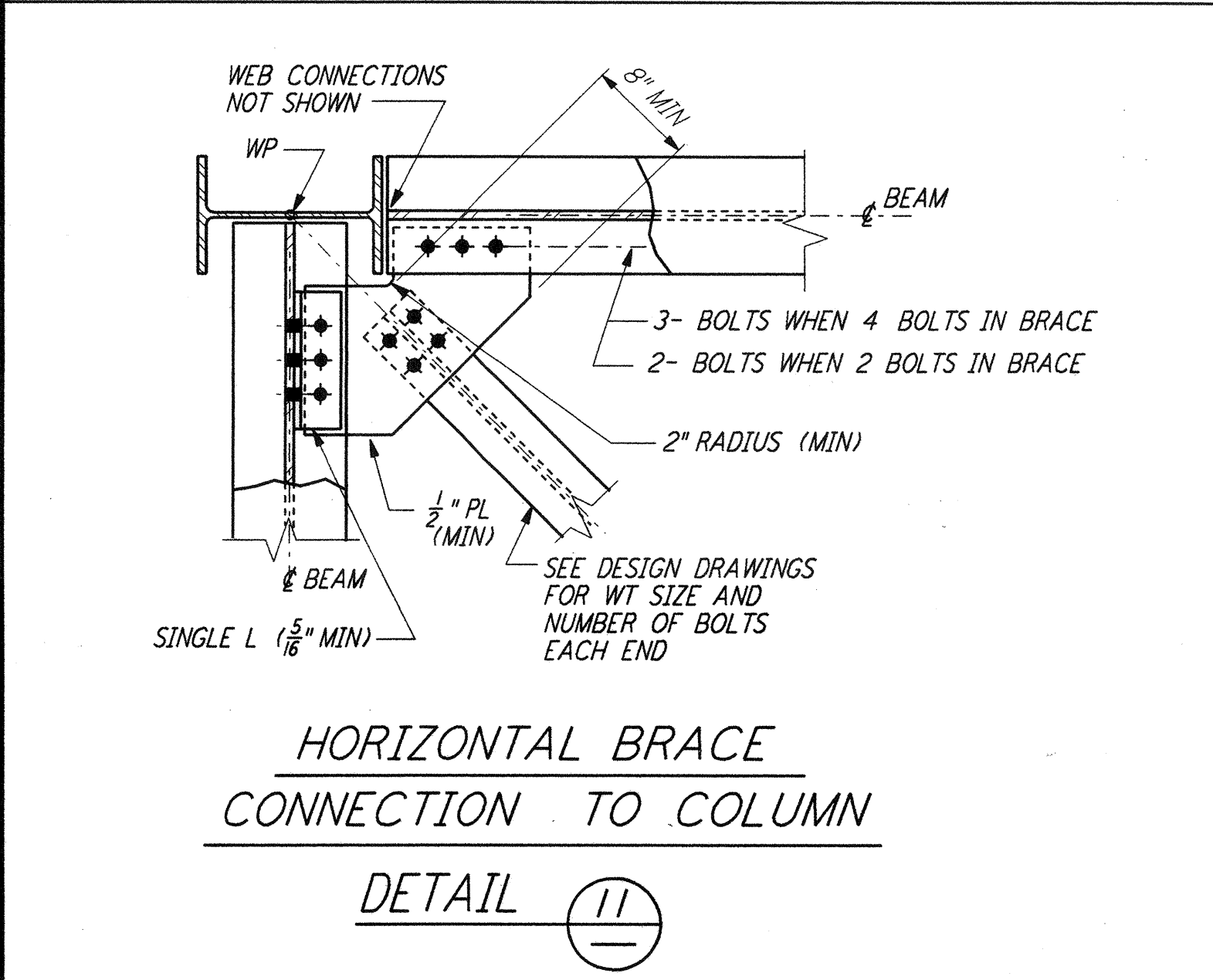
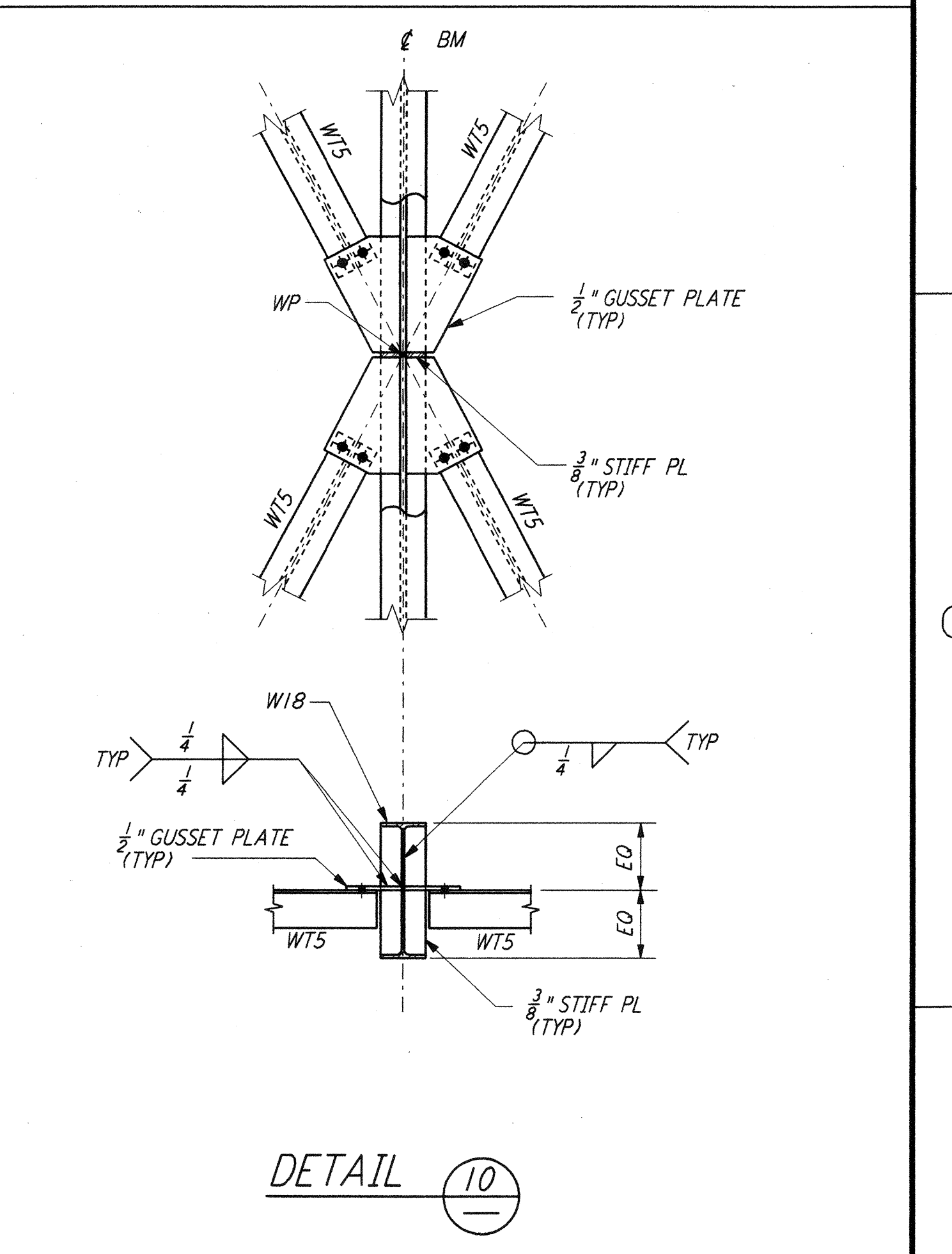
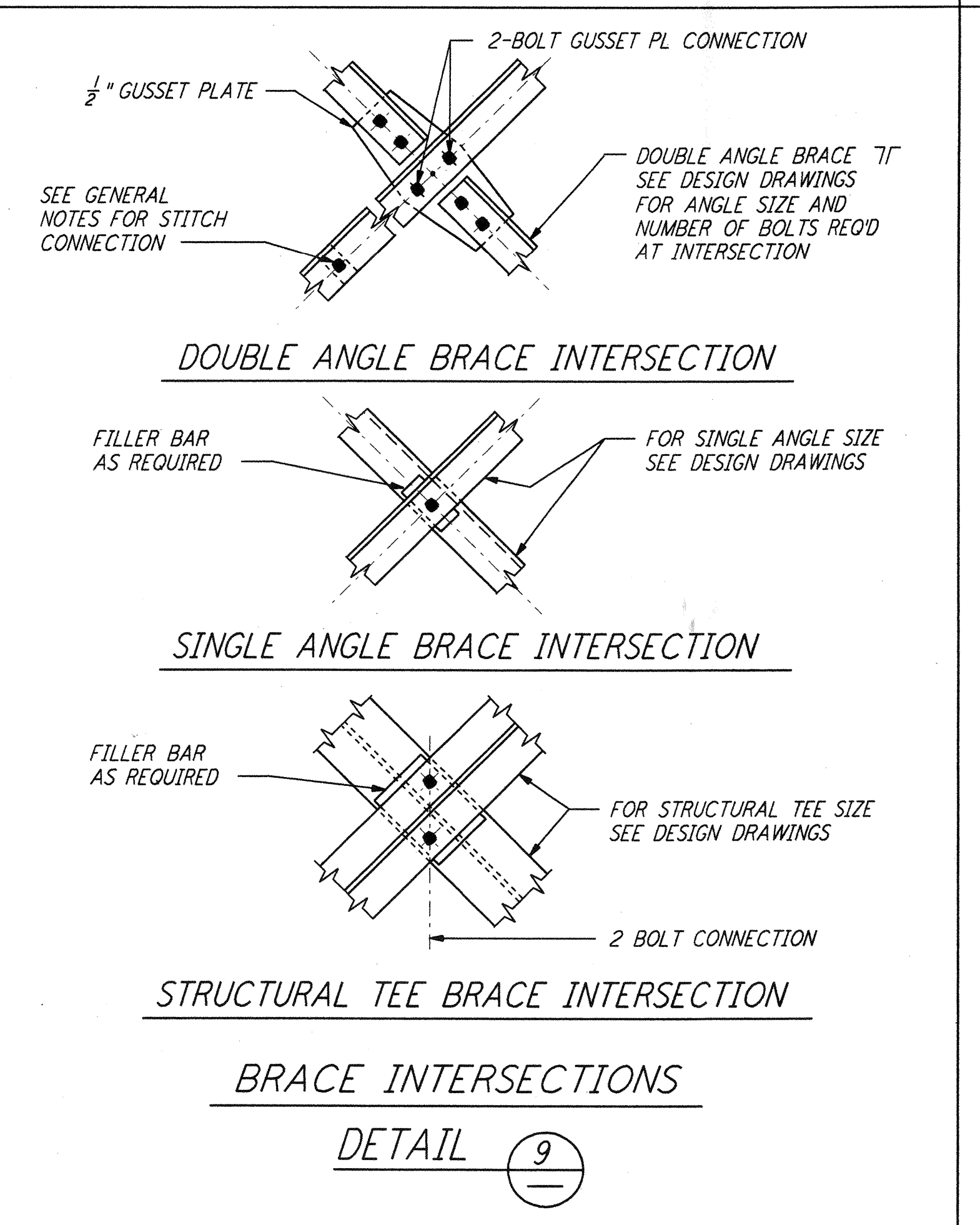
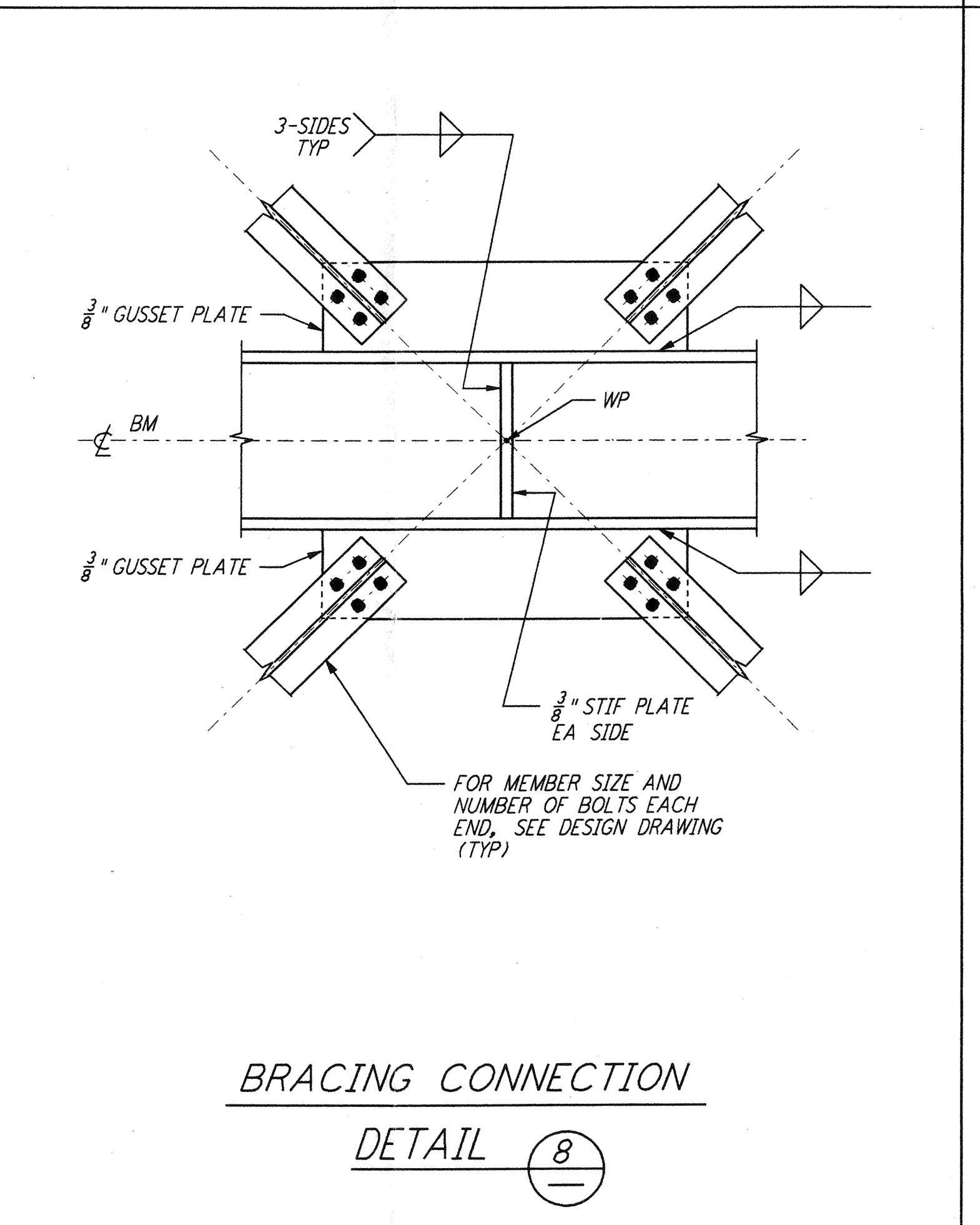
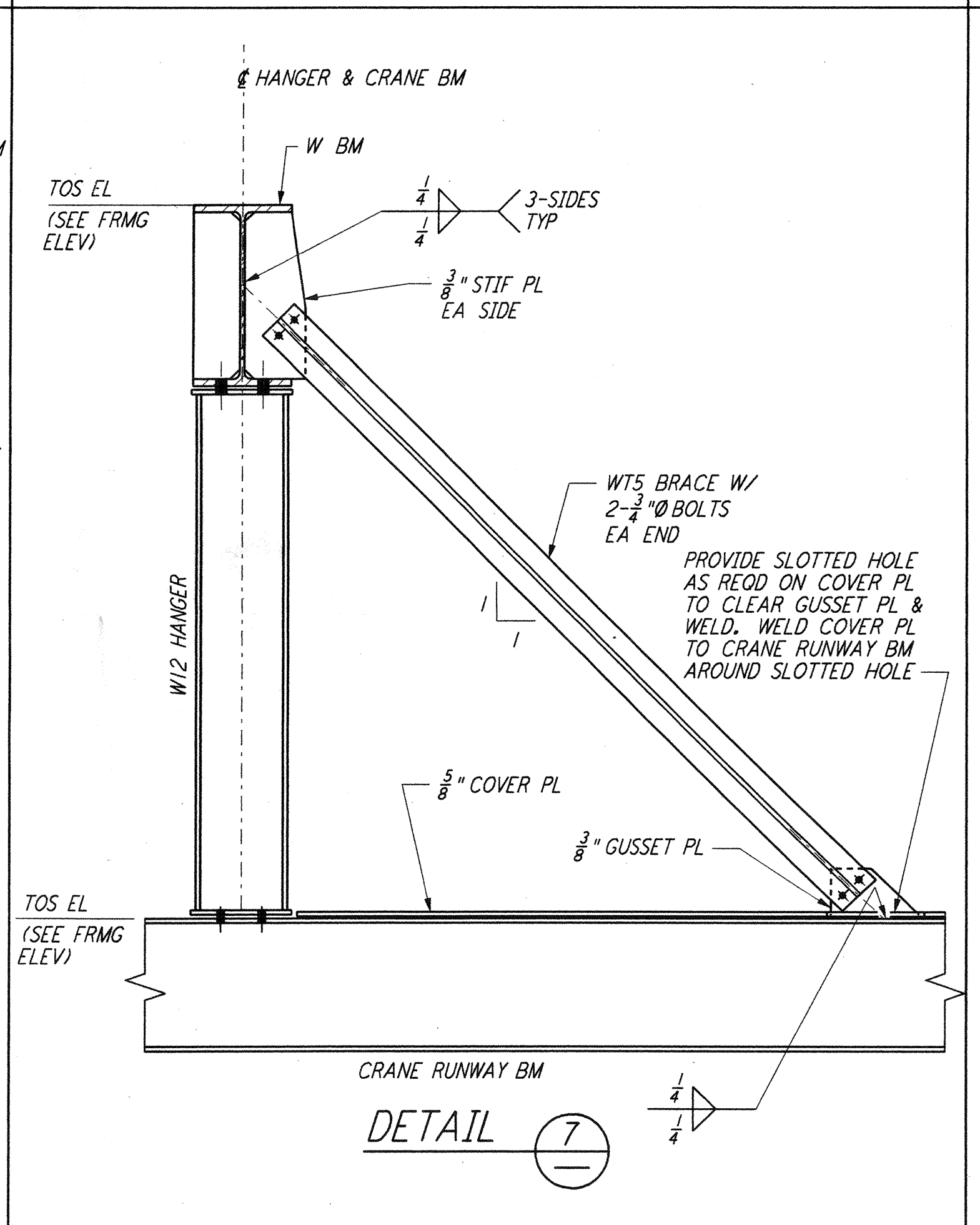
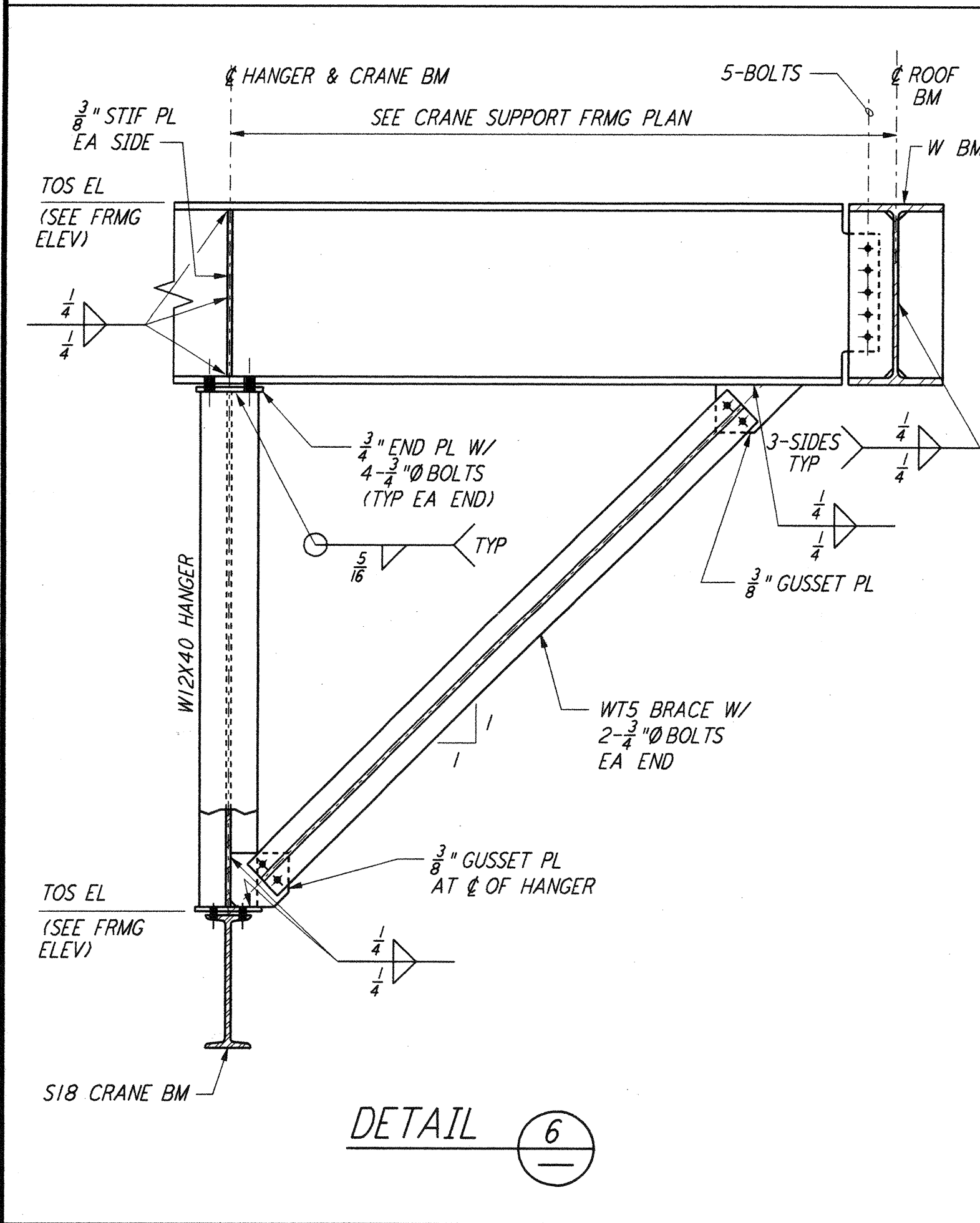
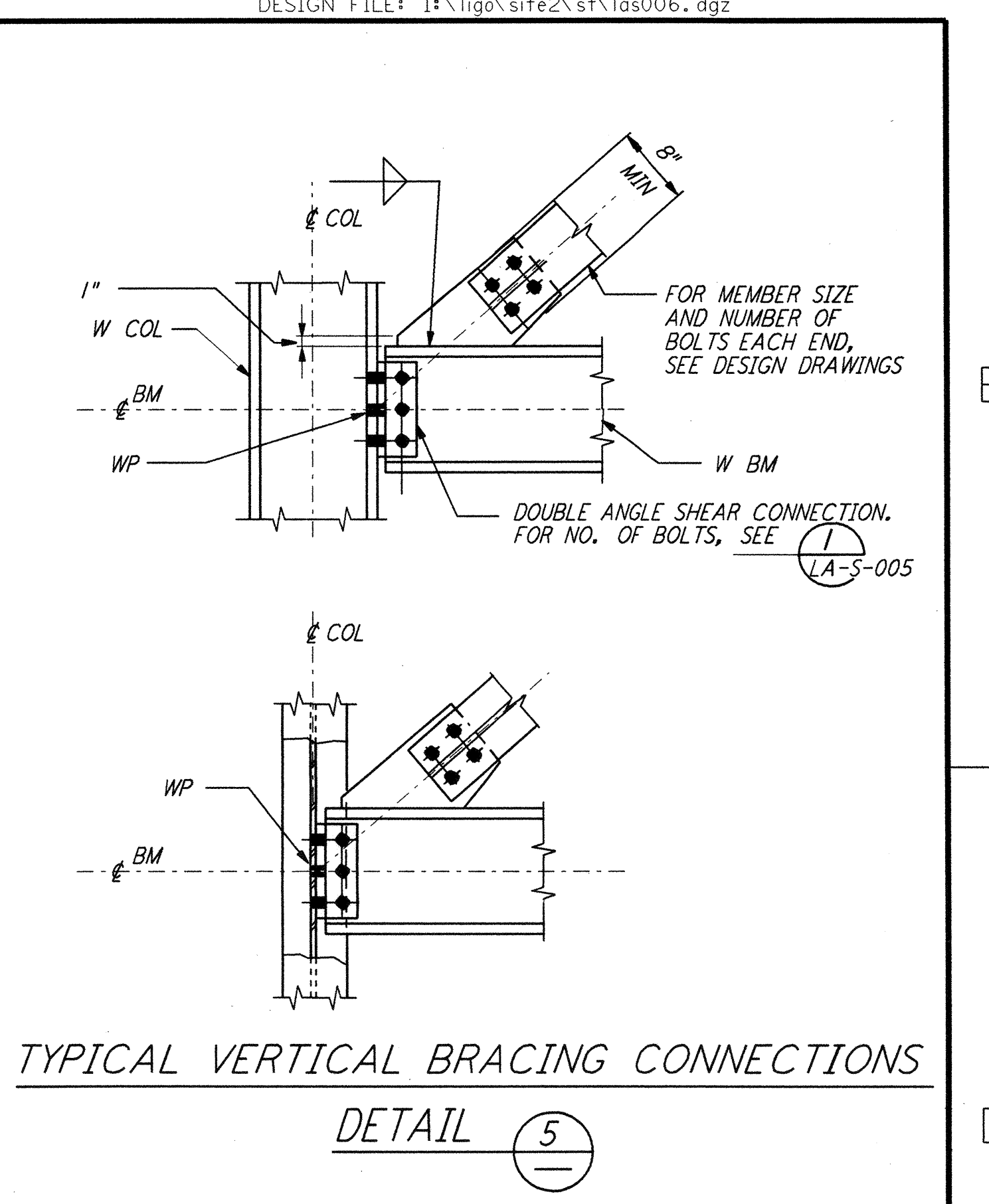
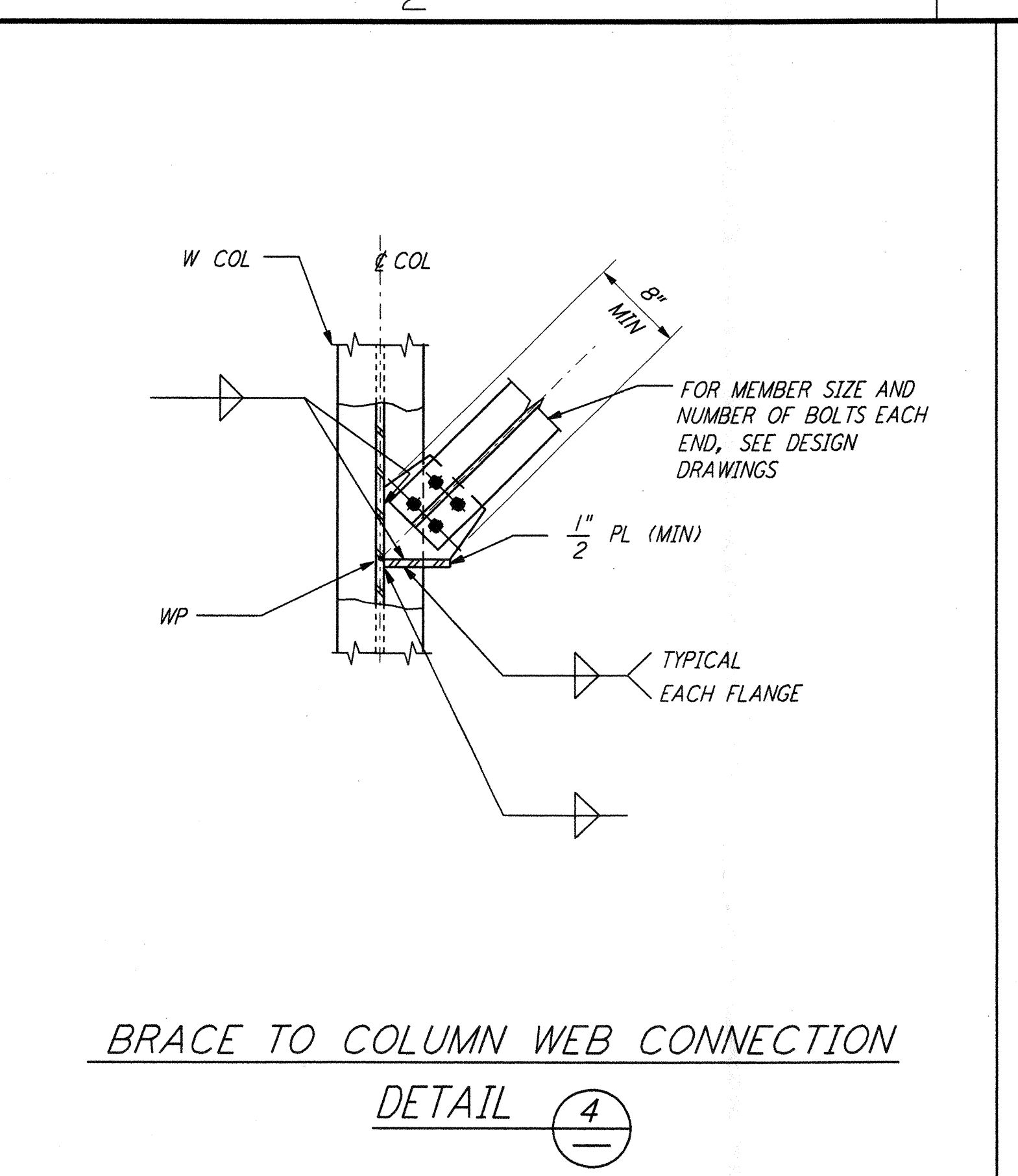
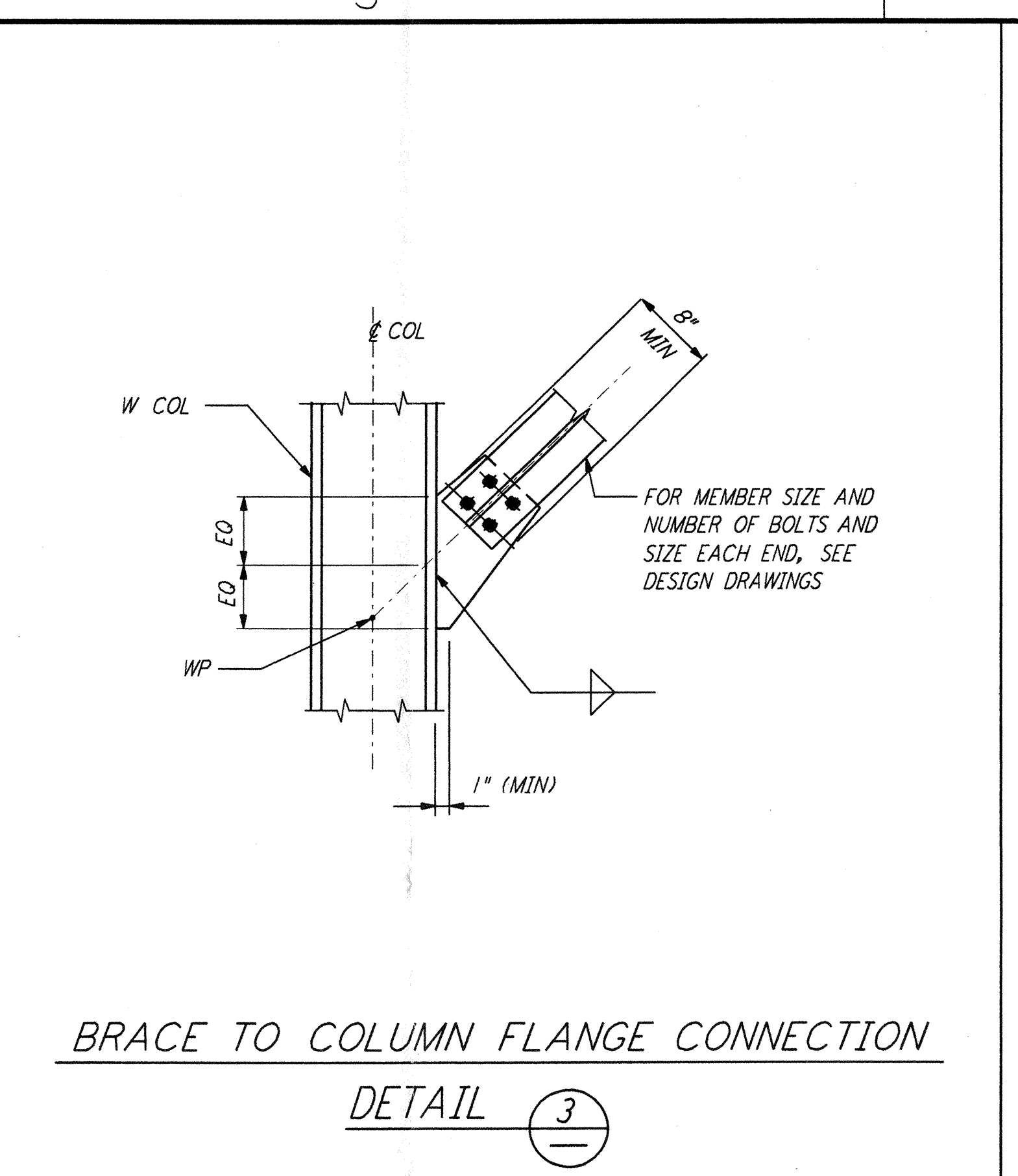
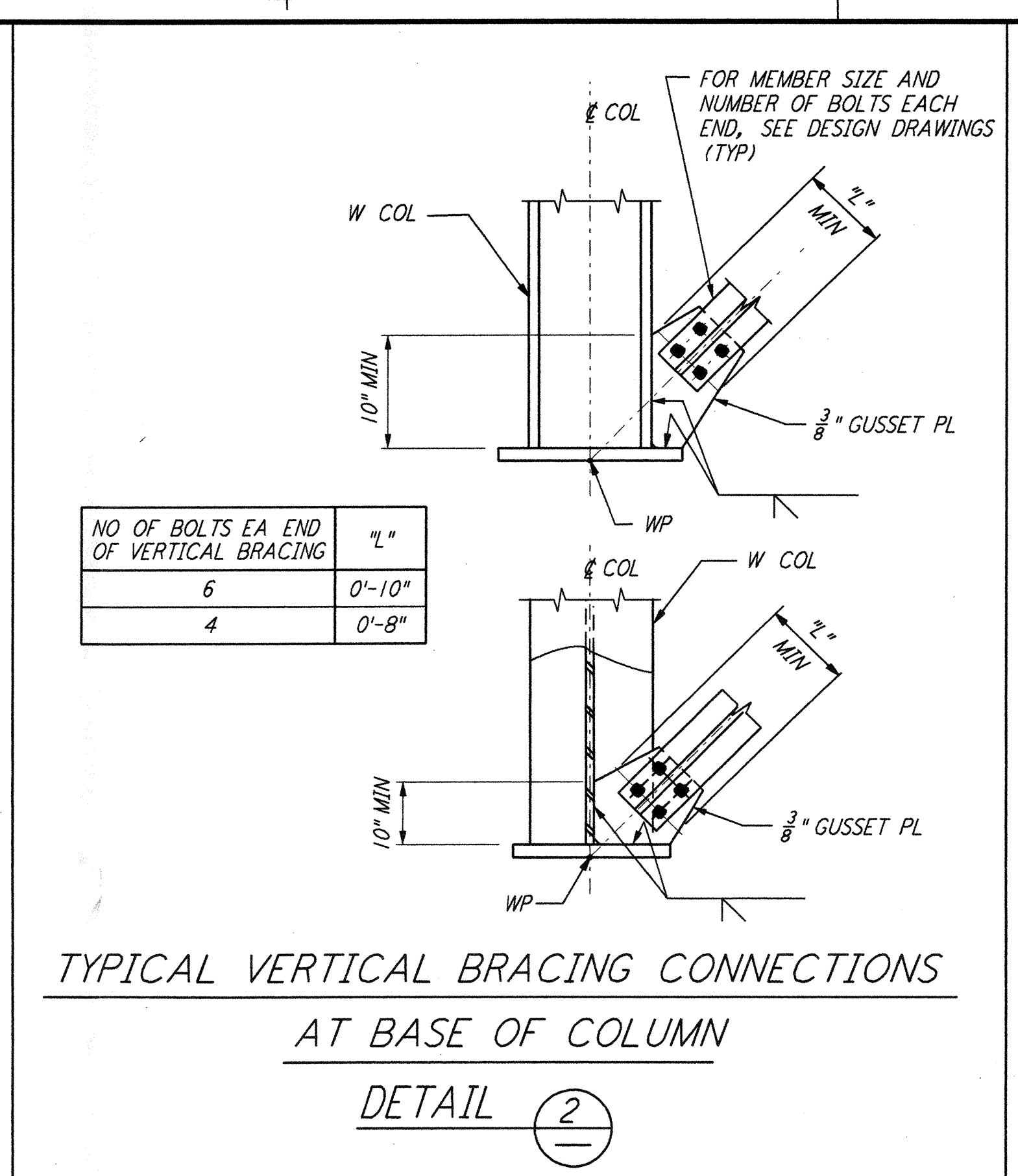
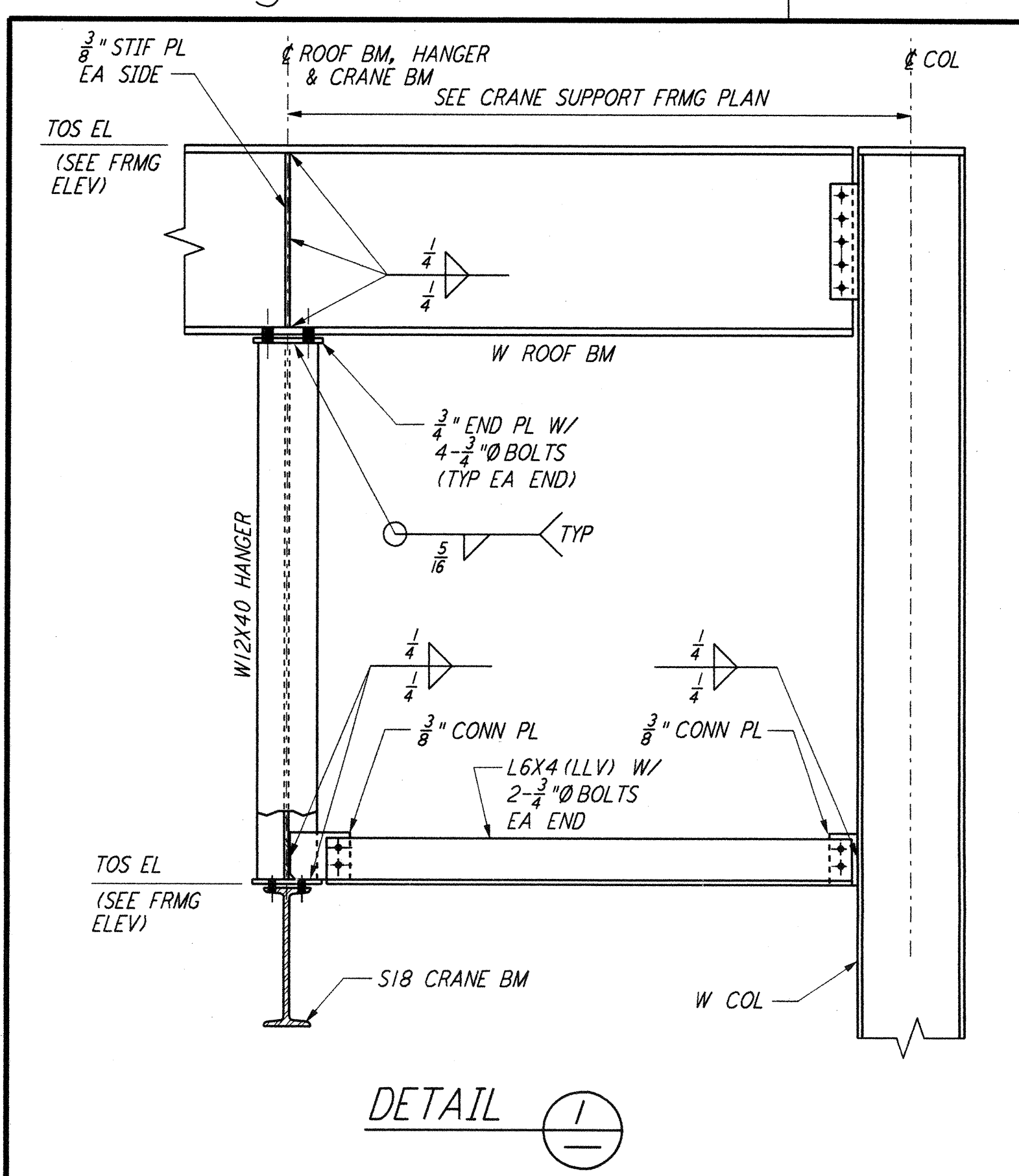


This document and the design it covers are the property of PARSONS. They are loaned only with the borrower's expressed written agreement that they will not be reproduced, copied, loaned, exhibited, or used in any other way, except by written consent from PARSONS to the borrower.



**NOTES:**

- FOR GENERAL NOTES, ABBREVIATIONS AND SYMBOLS SEE DRAWING LA-S-001.
- ALL ANGLE VERTICAL BRACING END CONNECTIONS SHALL HAVE TWO BOLTS EACH END UNLESS NOTED OTHERWISE ON THE DESIGN DRAWINGS.

NO.	DATE	BY	CHKD	ENGR	PROJ	DESCRIPTION
1	08-07-98	WA	DM	DM	WLU	ISSUED FOR AS-BUILT

ISSUED FOR CONSTRUCTION  
 DRAWN MCS 11-15-96  
 CHECKED DDM 11-15-96  
 ENGINEER BP 11-15-96  
 PROJ TDM 11-15-96

**AS-BUILT DRAWINGS**

100 WEST WALNUT STREET  
 PASADENA, CALIFORNIA

**PARSONS**

**LIGO**  
 CALIFORNIA INSTITUTE OF TECHNOLOGY  
 MASSACHUSETTS INSTITUTE OF TECHNOLOGY

LIGO-D960912-01-0

LASER INTERFEROMETER  
 GRAVITATIONAL-WAVE OBSERVATORY  
 SITE NO. 2 - LIVINGSTON, LOUISIANA

TITLE	SCALE	CONTRACT NUMBER	PROJECT NUMBER
STRUCTURAL STANDARD	NONE	PPI50969	8094
STRUCTURAL STEEL CONNECTION DETAILS SHEET 3		<b>LA-S-006</b>	