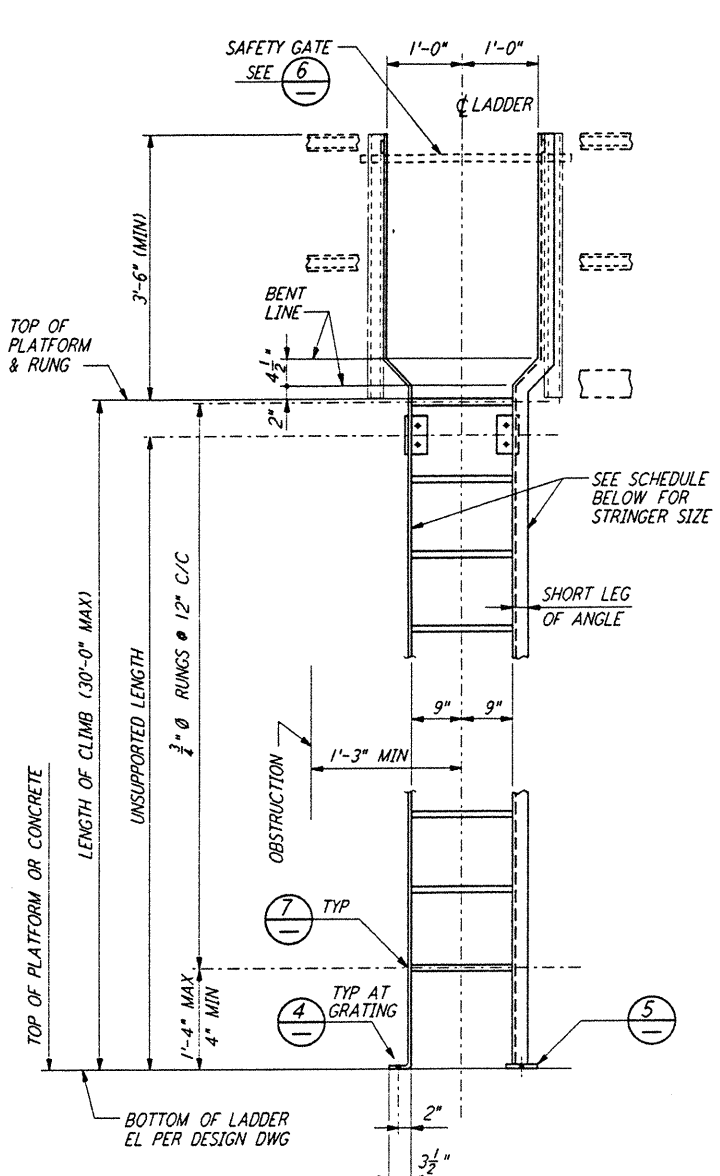
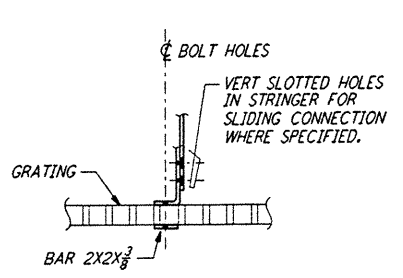


This document and the design it covers are the property of PARSONS. They are loaned only with the borrower's expressed written agreement that they will not be reproduced, copied, loaned, exhibited, or used in any other way, except by written consent from PARSONS to the borrower.

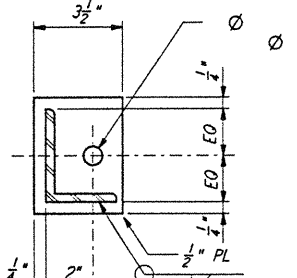


TYPICAL LADDER SECTION 1

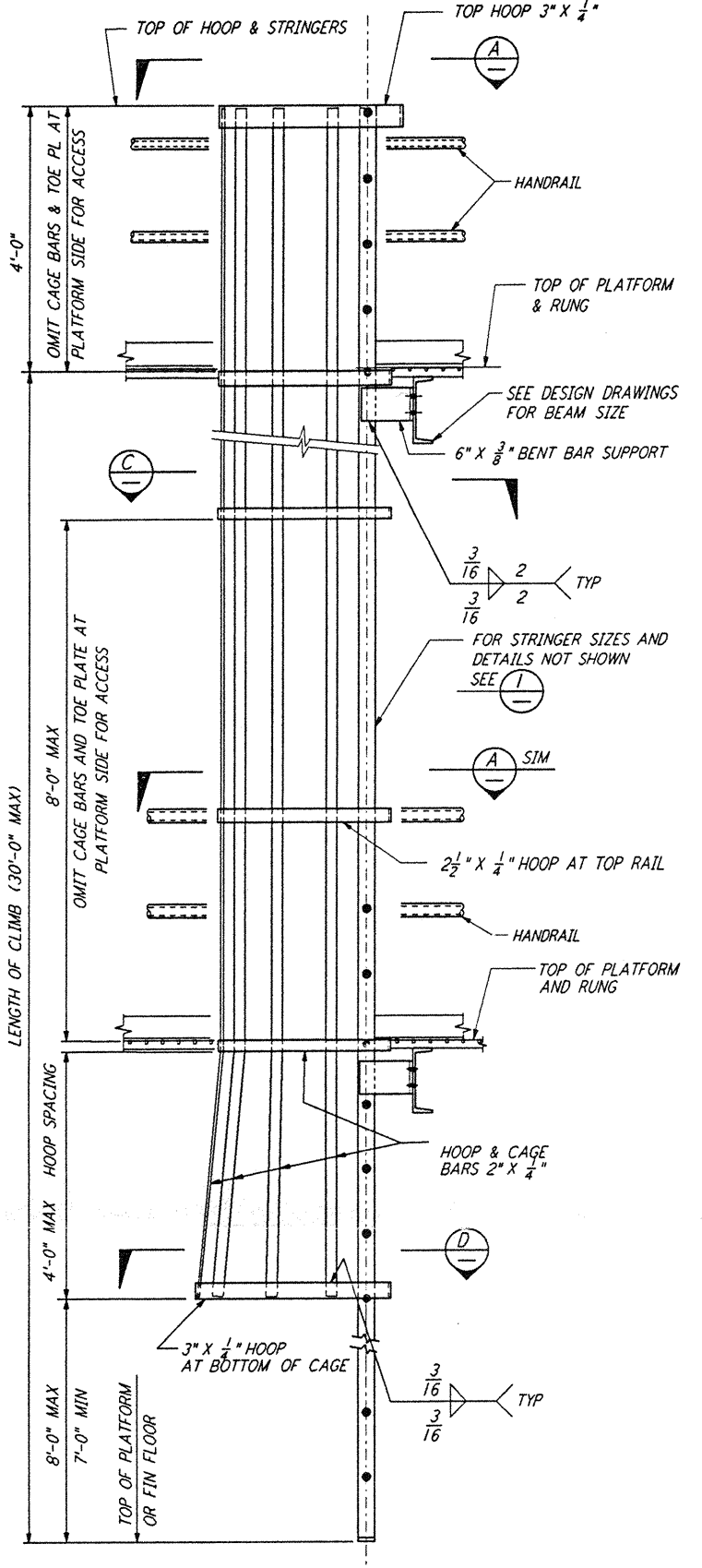
UNSUPPORTED LENGTH	STRINGER SIZE
8'-0" OR LESS	BAR 2 1/2" X 3/8"
OVER 8'-0" TO 18'-0"	L 2 1/2" X 2 X 2
OVER 18'-0" TO 24'-0"	L 3 X 2 X 2
OVER 24'-0" TO 30'-0"	L 4 X 3 X 2



DETAIL 4

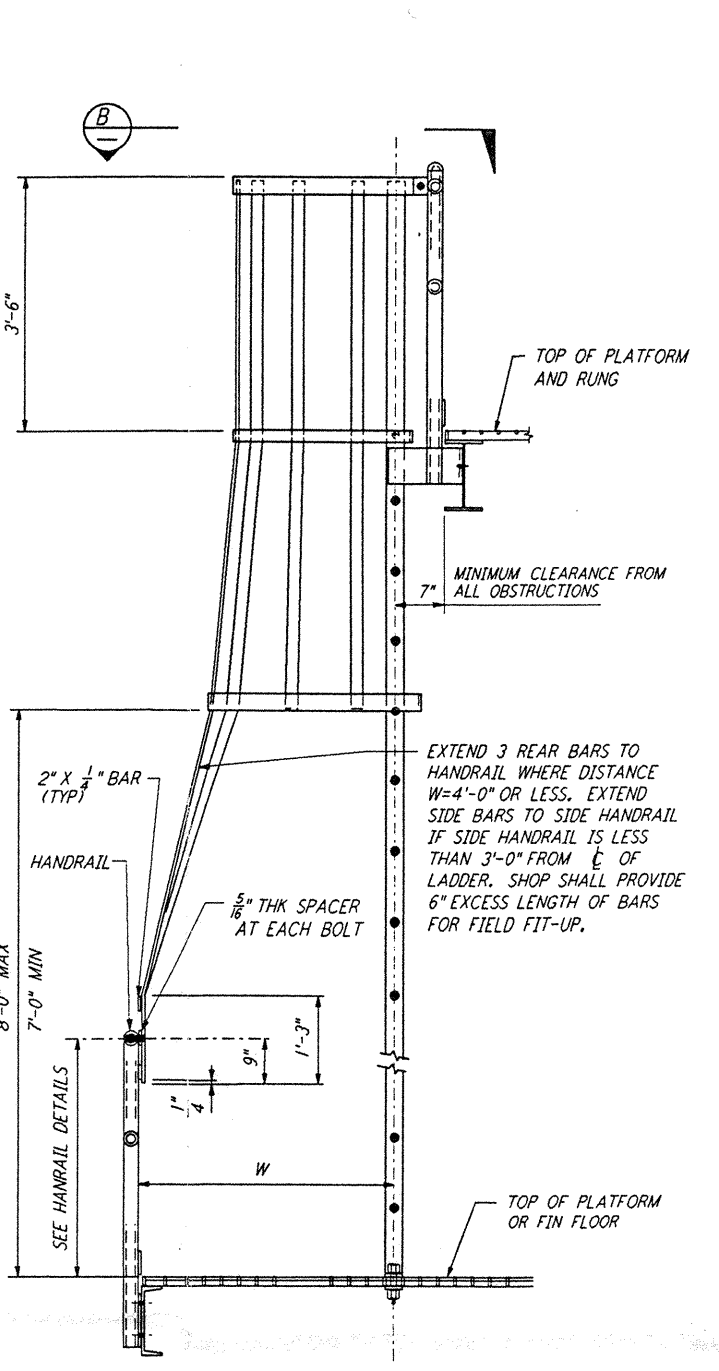


DETAIL 5



SIDE-STEP LADDER AND CAGE

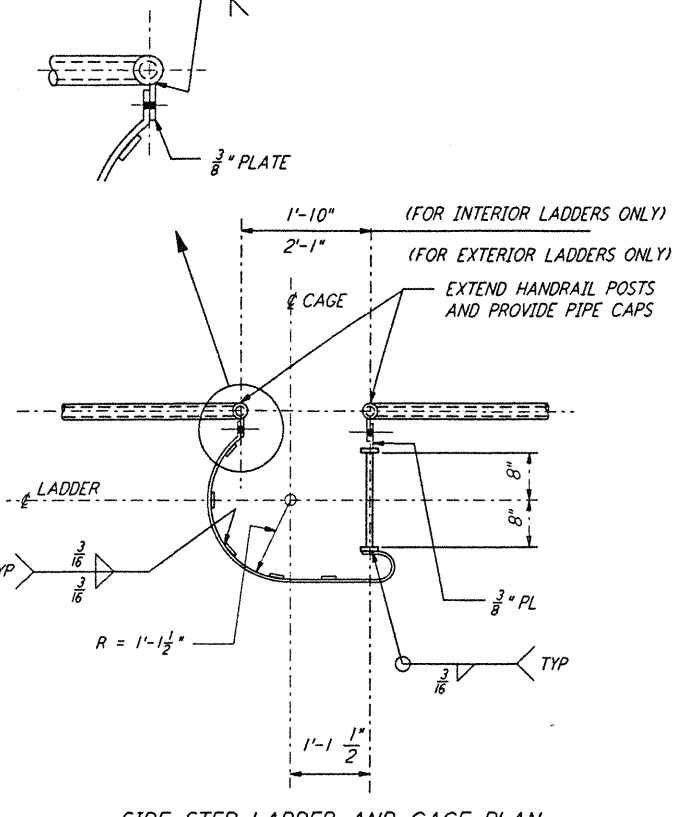
DETAIL 2



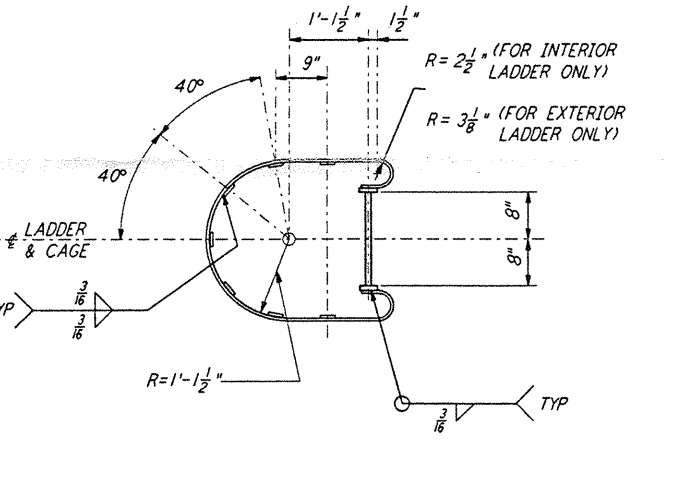
NOTE:
 FOR INFORMATION NOT SHOWN SEE DETAILS 1 & 2

STEP-THROUGH LADDER & CAGE AND CAGE CONNECTION TO HANDRAIL

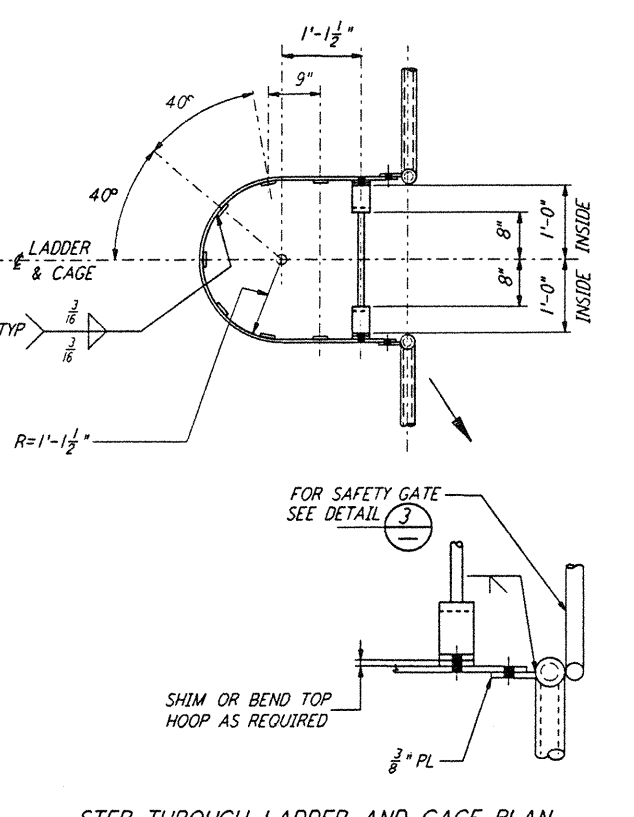
DETAIL 3



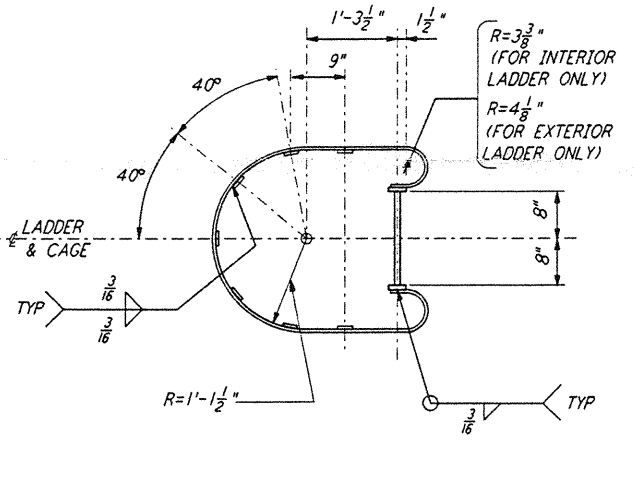
SIDE-STEP LADDER AND CAGE PLAN SECTION A



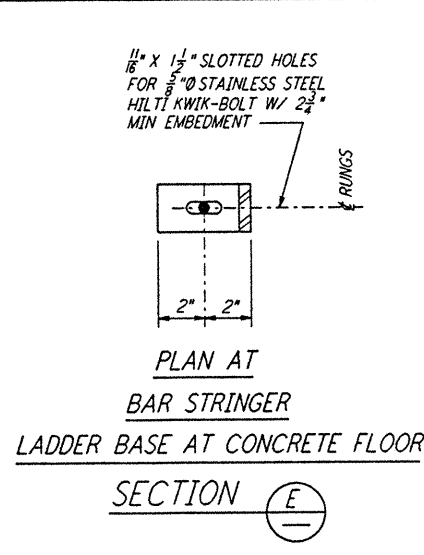
TYPICAL HOOP PLAN SECTION C



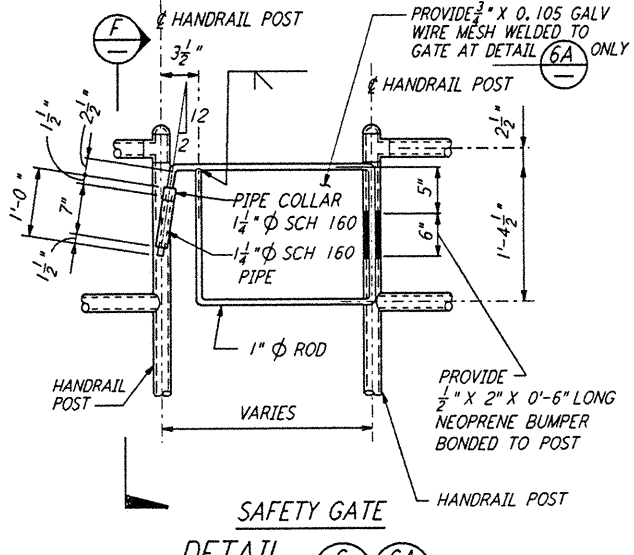
STEP-THROUGH LADDER AND CAGE PLAN SECTION B



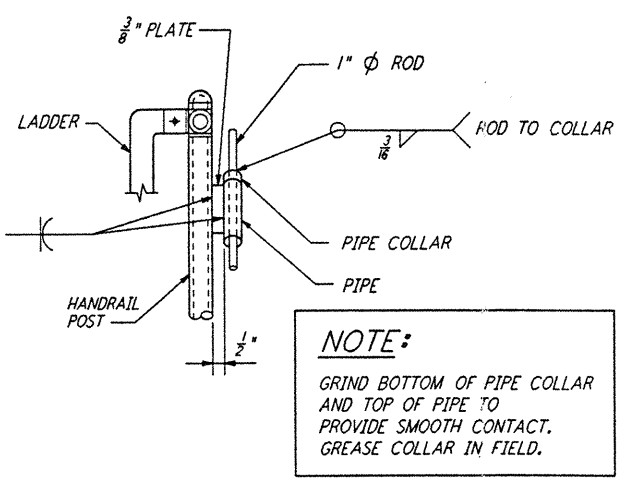
BOTTOM HOOP PLAN SECTION D



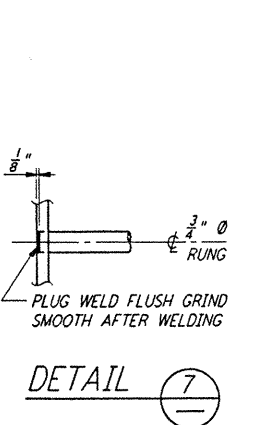
PLAN AT BAR STRINGER LADDER BASE AT CONCRETE FLOOR SECTION E



SAFETY GATE DETAIL 6 6A



SAFETY GATE HINGE SECTION F

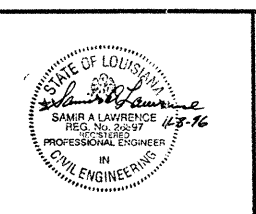


DETAIL 7

- NOTES:
- FOR GENERAL NOTES, ABBREVIATIONS AND SYMBOLS SEE DRAWING LA-S-001.
 - ALL BURRS AND SHARP EDGES SHALL BE REMOVED FROM THE LADDERS, CAGES AND SAFETY BARS.
 - ALL INTERMEDIATE CAGE HOOPS SHALL BE SPACED EQUALLY AND SHALL NOT EXCEED 4 FEET. IF CAGE LENGTH EXCEEDS 20 FEET, LADDER MUST BE EQUIPPED WITH A 3" HOOP PREFERABLY AT THE MIDWAY POINT OF THE CAGE.
 - LADDERS SERVING PLATFORMS OR LANDINGS 4 FEET OR MORE ABOVE GRADE AND ALL PLATFORMS REQUIRING A RAILING SHALL BE EQUIPPED WITH A SAFETY GATE.

DRAWING NO.	DESCRIPTION	NO.	DATE	BY	CHKD	ENGR	PROJ	DESCRIPTION

ISSUED FOR CONSTRUCTION	DRAWN	CHECKED	ENGINEER	PROJ
	MCS 11-15-96			



PARSONS
 100 WEST WALNUT STREET
 PASADENA, CALIFORNIA

LIGO
 CALIFORNIA INSTITUTE OF TECHNOLOGY
 MASSACHUSETTS INSTITUTE OF TECHNOLOGY

LASER INTERFEROMETER
 GRAVITATIONAL-WAVE OBSERVATORY
 SITE NO. 2 - LIVINGSTON, LOUISIANA

TITLE: STRUCTURAL STANDARD STRUCTURAL STEEL LADDER DETAILS

SCALE: NONE

CONTRACT NUMBER: PPI 150969

PROJECT NUMBER: 8094

SHEET NUMBER: LA-S-008

L160-0960914-00-□ | L160LAF.BDR