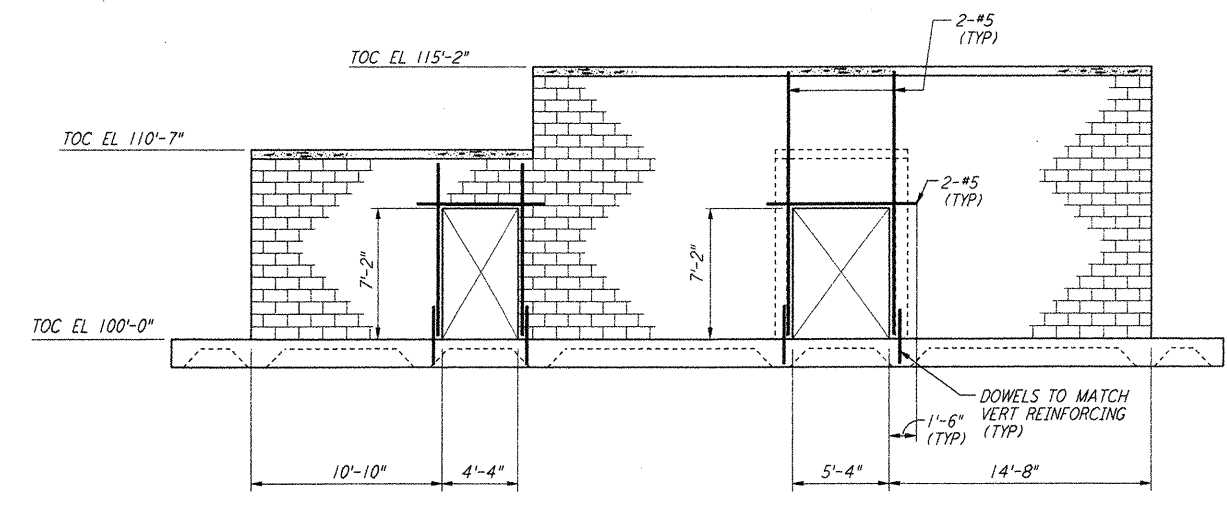
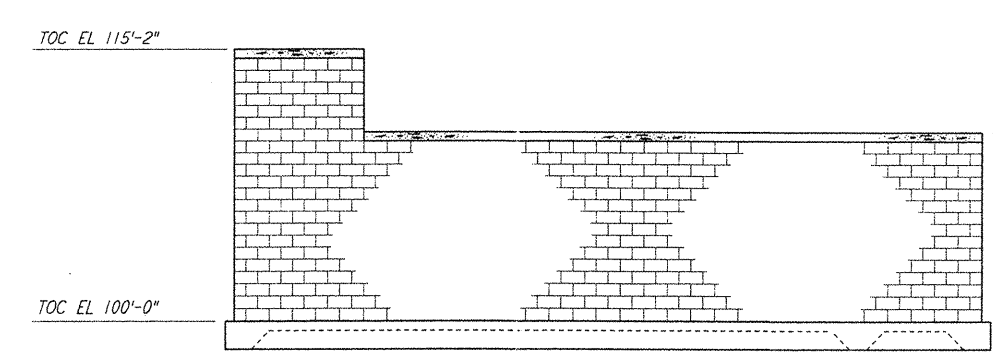


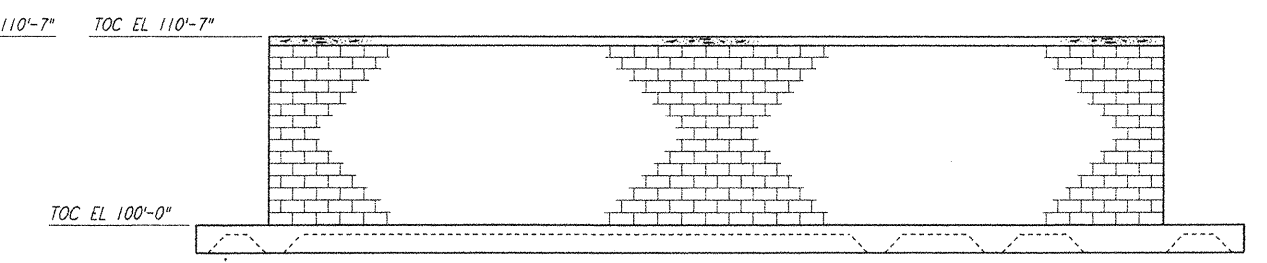
This document and the design it covers are the property of PARSONS. They are loaned only with the borrower's expressed written agreement that they will not be reproduced, copied, loaned, exhibited, or used in any other way, except by written consent from PARSONS to the borrower.



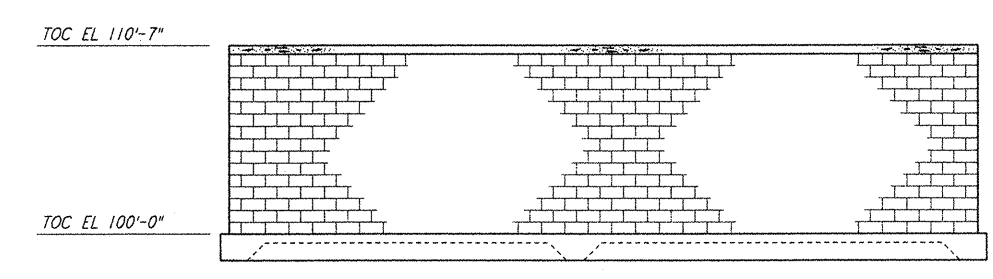
ELEVATION A REF
 $\frac{3}{8}'' = 1'-0''$
 LA-S-104 LA-S-103



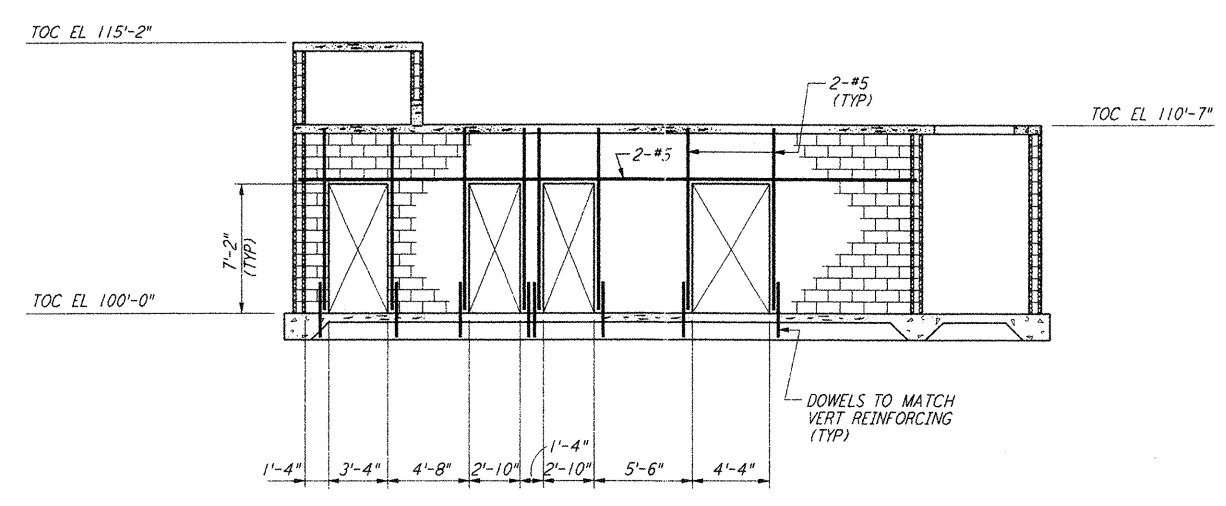
ELEVATION B REF
 $\frac{3}{8}'' = 1'-0''$
 LA-S-104 LA-S-103



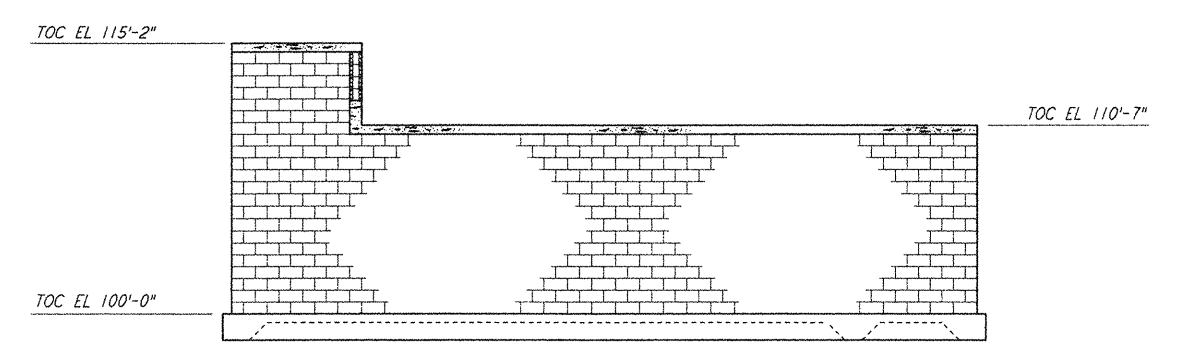
ELEVATION C REF
 $\frac{3}{8}'' = 1'-0''$
 LA-S-104 LA-S-103



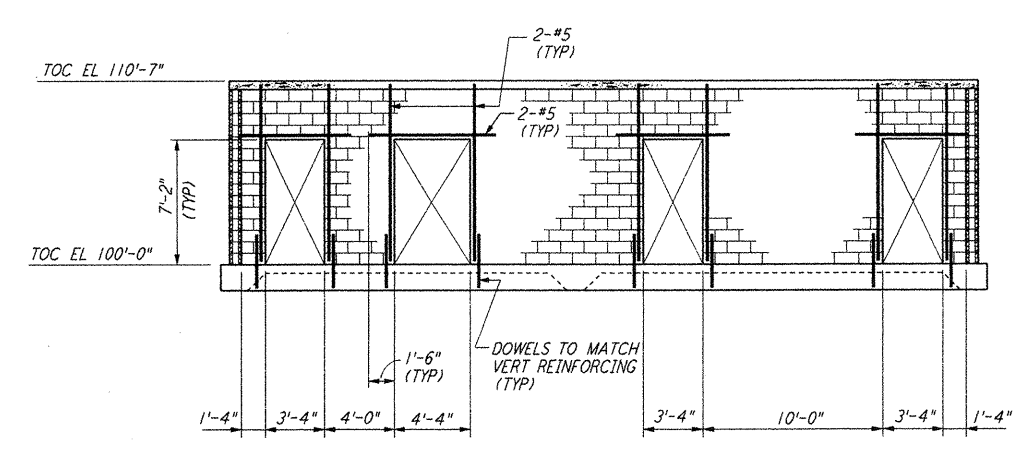
ELEVATION D REF
 $\frac{3}{8}'' = 1'-0''$
 LA-S-104 LA-S-103



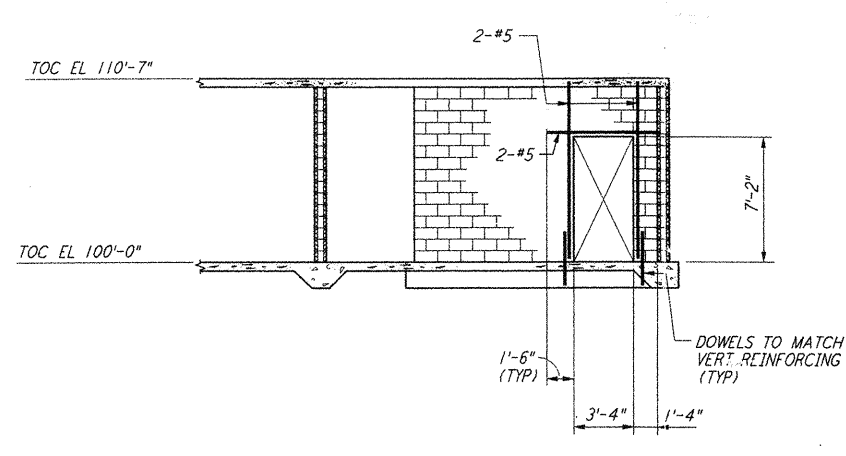
SECTION E REF
 $\frac{3}{8}'' = 1'-0''$
 LA-S-104 LA-S-103



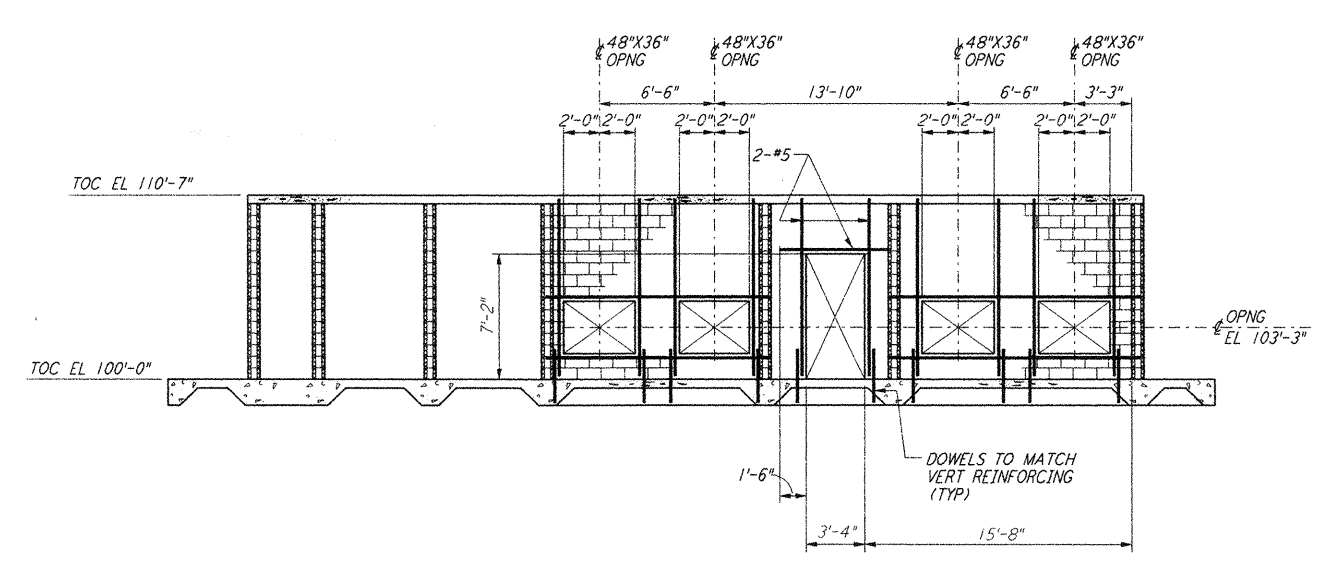
SECTION F REF
 $\frac{3}{8}'' = 1'-0''$
 LA-S-104 LA-S-103



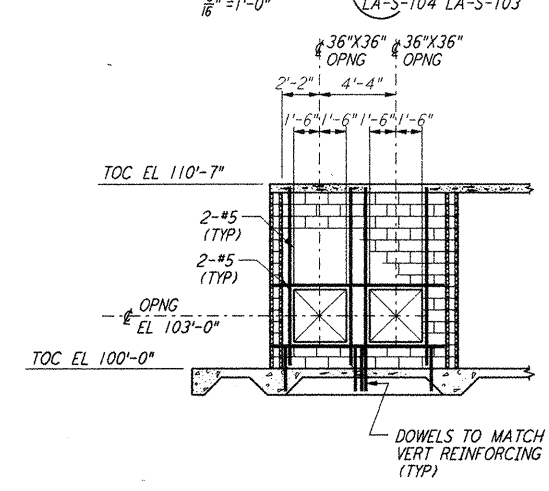
SECTION G REF
 $\frac{3}{8}'' = 1'-0''$
 LA-S-104 LA-S-103



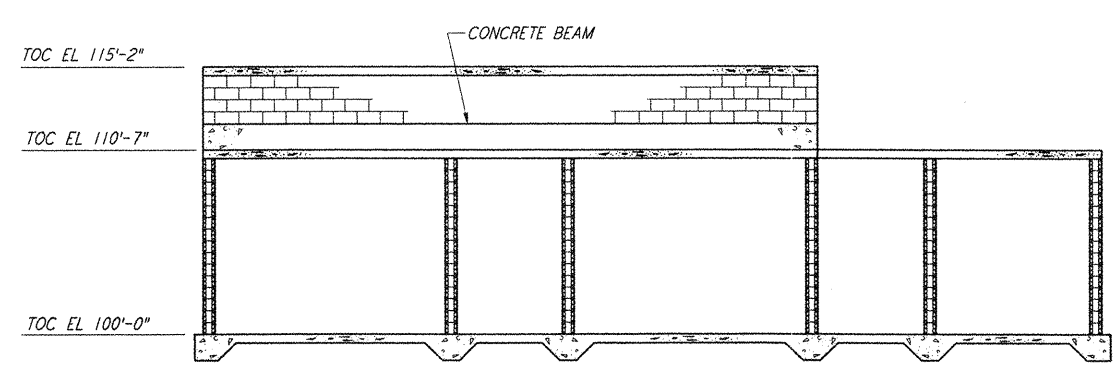
SECTION H REF
 $\frac{3}{8}'' = 1'-0''$
 LA-S-104 LA-S-103



SECTION J REF
 $\frac{3}{8}'' = 1'-0''$
 LA-S-104 LA-S-103

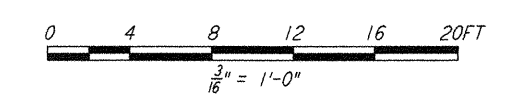


SECTION K REF
 $\frac{3}{8}'' = 1'-0''$
 LA-S-104 LA-S-103



SECTION L REF
 $\frac{3}{8}'' = 1'-0''$
 LA-S-104 LA-S-103

NOTE:
 1. FOR NOTES SEE DRAWING LA-S-103.



NO.	DATE	BY	CHKD	ENGR	PROJ	DESCRIPTION
1	08-07-98	WA	DBA	DBA	WLL	ISSUED FOR AS-BUILT

ISSUED FOR CONSTRUCTION		
DRAWN	MCS	11-15-96
CHECKED	DDM	11-15-96
ENGINEER	BP	11-15-96
PROJ	TDM	11-15-96
AS-BUILT DRAWINGS		

PARSONS
 100 WEST WALNUT STREET
 PASADENA, CALIFORNIA

LIGO
 CALIFORNIA INSTITUTE OF TECHNOLOGY
 MASSACHUSETTS INSTITUTE OF TECHNOLOGY

LIGO-D960920-01-O
 LASER INTERFEROMETER
 GRAVITATIONAL-WAVE OBSERVATORY
 SITE NO. 2 - LIVINGSTON, LOUISIANA

TITLE	SCALE	CONTRACT NUMBER	PROJECT NUMBER
STRUCTURAL CORNER STATION AIR HANDLING UNIT ENCLOSURE ELEVS & SECTS	AS NOTED	PPI 50969	8094
SHEET NUMBER		REVISIONS	
LA-S-104			