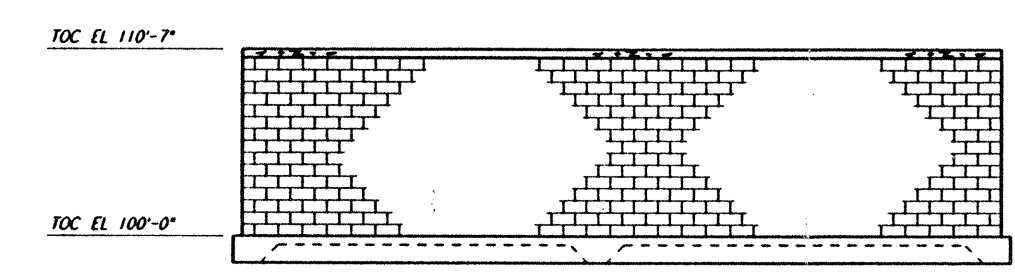


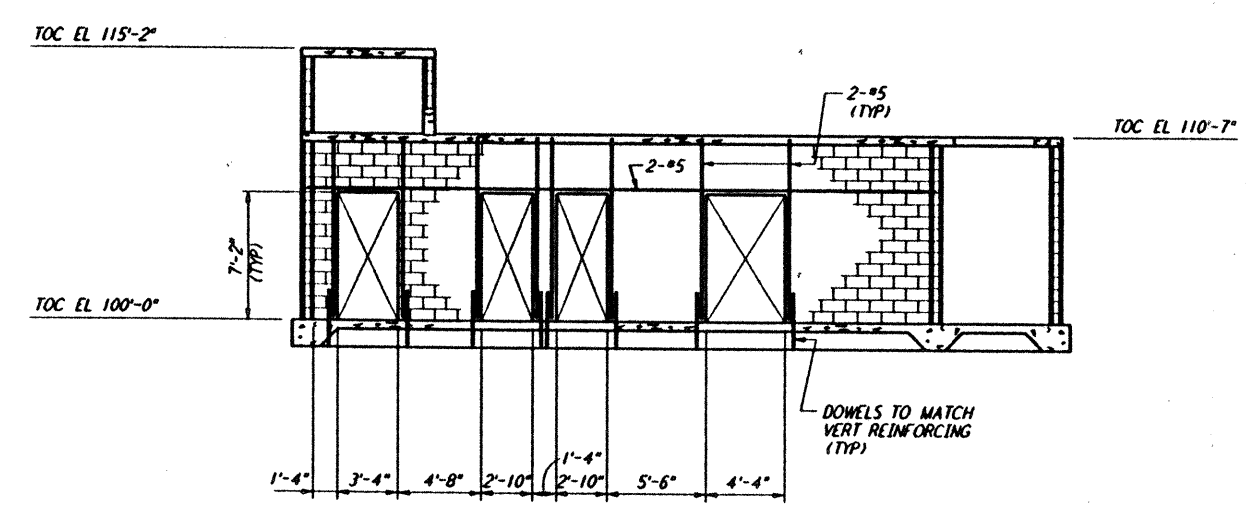
ELEVATION A REF  
 LA-S-104 LA-S-103  
 1/8\"/>

ELEVATION B REF  
 LA-S-104 LA-S-103  
 1/8\"/>

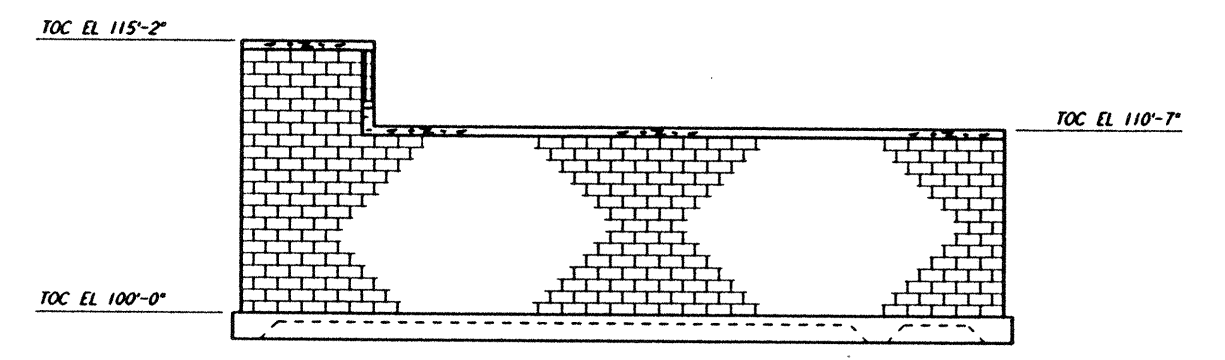
ELEVATION C REF  
 LA-S-104 LA-S-103  
 1/8\"/>



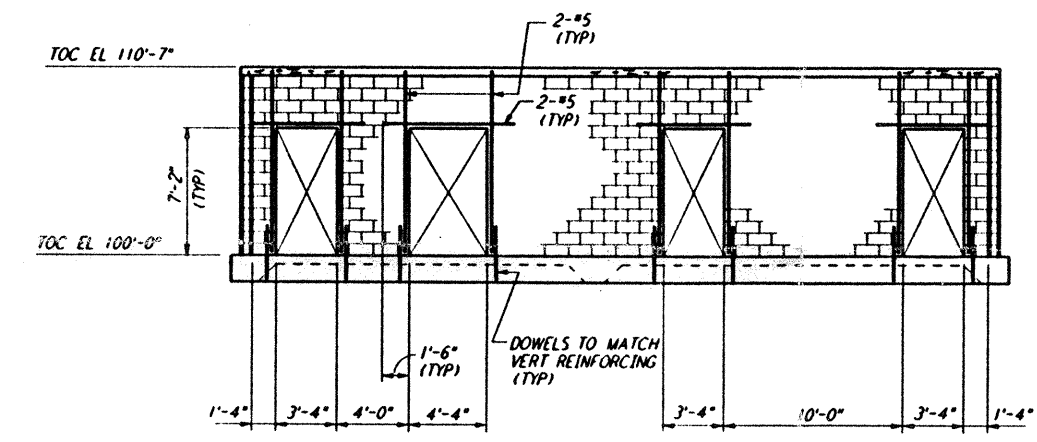
ELEVATION D REF  
 LA-S-104 LA-S-103  
 1/8\"/>



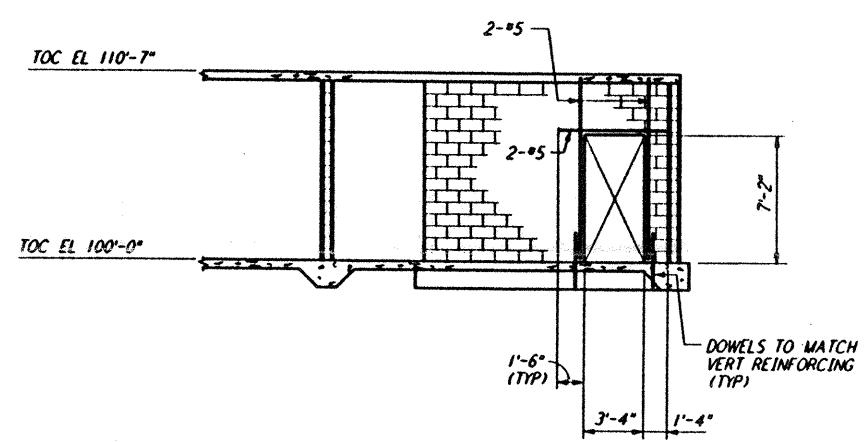
SECTION E REF  
 LA-S-104 LA-S-103  
 1/8\"/>



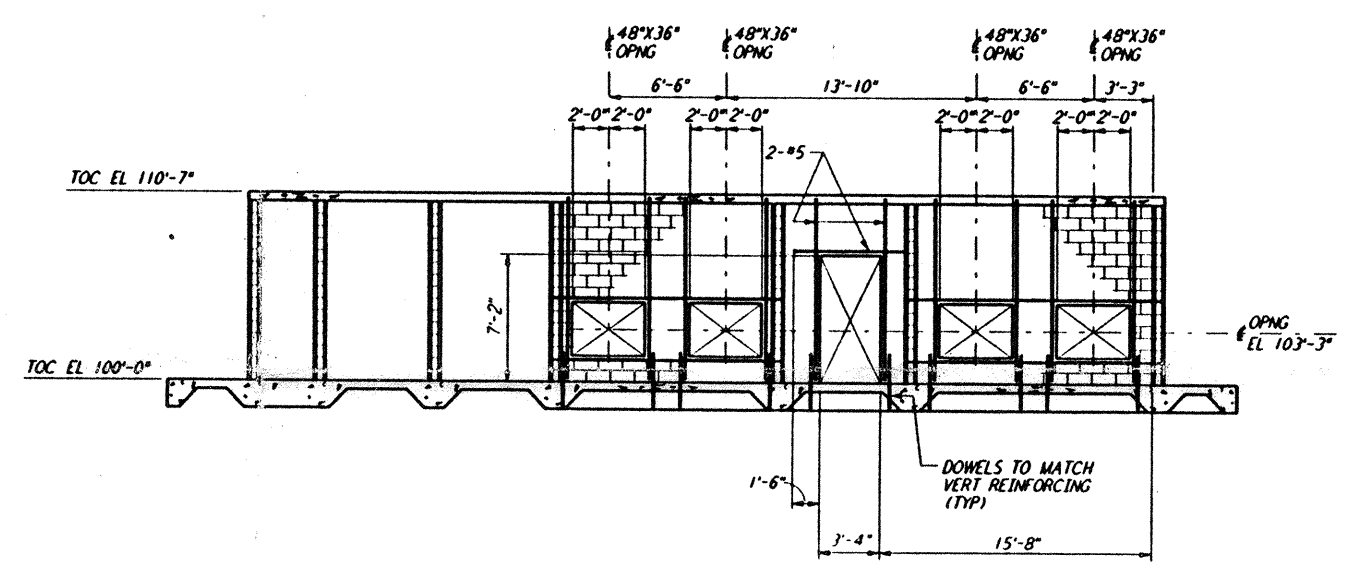
SECTION F REF  
 LA-S-104 LA-S-103  
 1/8\"/>



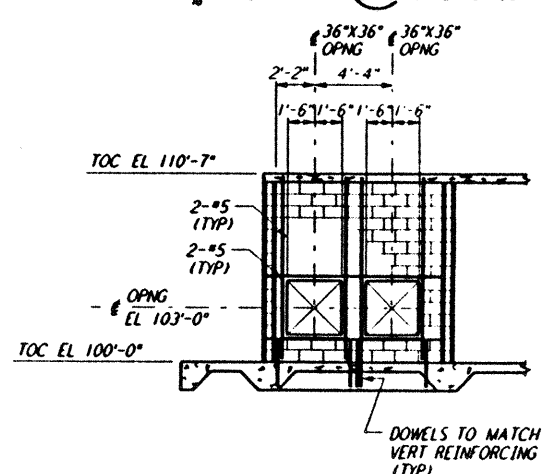
SECTION G REF  
 LA-S-104 LA-S-103  
 1/8\"/>



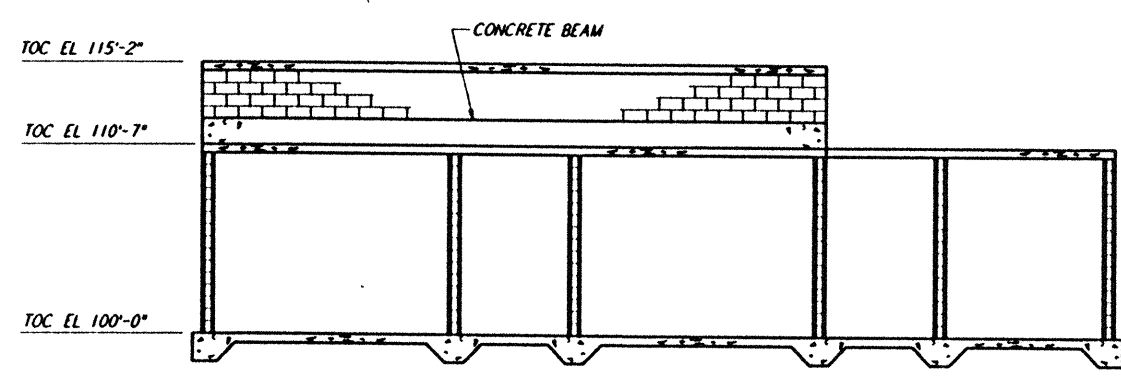
SECTION H REF  
 LA-S-104 LA-S-103  
 1/8\"/>



SECTION J REF  
 LA-S-104 LA-S-103  
 1/8\"/>

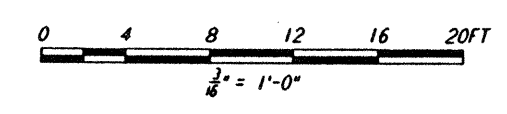


SECTION K REF  
 LA-S-104 LA-S-103  
 1/8\"/>



SECTION L REF  
 LA-S-104 LA-S-103  
 1/8\"/>

NOTE:  
 1. FOR NOTES SEE DRAWING LA-S-103.



MON JUL 22 17:21:02 1996 S3-V18B2 J:\PLOTS\NOQUES\V18B2\ST104.PRF

This document and the design it covers are the property of PARSONS. They are loaned only with the borrower's expressed written agreement that they will not be reproduced, copied, loaned, exhibited, or used in any other way, except by written consent from PARSONS to the borrower.

NO.	DATE	BY	CHK'D	ENGR	PROJ	DESCRIPTION
C	7-24-96	MCS	BP	BP	DDM	ISSUED FOR BID
B	6-14-96	MCS	DDM	DDM	DDM	FINAL DESIGN REVIEW
A	10-31-95					PRELIMINARY DESIGN REVIEW

DRAWN	MCS
CHECKED	
ENGINEER	
PROJ	

**PARSONS**  
 100 WEST WALNUT STREET  
 PASADENA, CALIFORNIA

**LIGO**  
 CALIFORNIA INSTITUTE OF TECHNOLOGY  
 MASSACHUSETTS INSTITUTE OF TECHNOLOGY

LASER INTERFEROMETER  
 GRAVITATIONAL-WAVE OBSERVATORY  
 SITE NO. 2 - LIVINGSTON, LOUISIANA

STRUCTURAL  
 CORNER STATION  
 AIR HANDLING UNIT  
 ENCLOSURE ELEVS & SECTS

SCALE: AS NOTED  
 CONTRACT NUMBER: PP150969  
 PROJECT NUMBER: 8094

**LA-S-104**