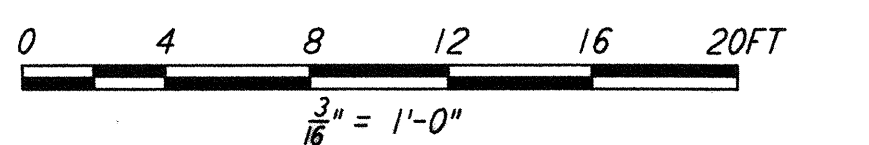
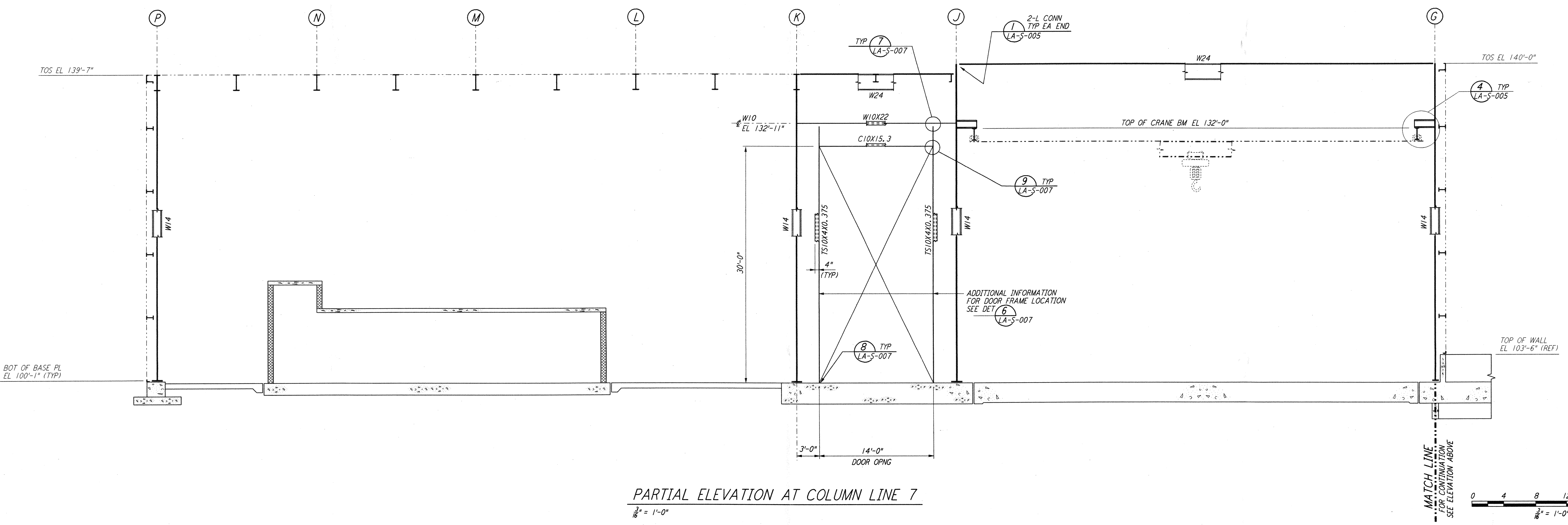


**NOTE:**  
 1. FOR NOTES SEE DRAWING LA-S-107.



not be reproduced, copied, loaned, exhibited, or used in any other way, except by written consent from PARSONS to the borrower.

This document and the design it covers are the property of PARSONS. They are loaned only with the borrower's expressed written agreement that they will not be reproduced, copied, loaned, exhibited, or used in any other way, except by written consent from PARSONS to the borrower.

NO.	DATE	BY	CHKD	ENGR	PROJ	DESCRIPTION
1	08-07-98	WA	GM	GM	WJW	ISSUED FOR AS-BUILT

ISSUED FOR CONSTRUCTION  
 DRAWN: MCS 11-15-96  
 CHECKED: DDM 11-15-96  
 ENGINEER: BP 11-15-96  
 PROJ: TDM 11-15-96

**AS-BUILT DRAWINGS**

**PARSONS**  
 100 WEST WALNUT STREET  
 PASADENA, CALIFORNIA

**LIGO**  
 CALIFORNIA INSTITUTE OF TECHNOLOGY  
 MASSACHUSETTS INSTITUTE OF TECHNOLOGY

**LIGO-D960925-01-O**

LASER INTERFEROMETER  
 GRAVITATIONAL-WAVE OBSERVATORY  
 SITE NO.2 - LIVINGSTON, LOUISIANA

STRUCTURAL  
 CORNER STATION  
 LVEA FRAMING ELEVATIONS  
 SHEET 3

SCALE: AS NOTED  
 CONTRACT NUMBER: PPI 50969  
 PROJECT NUMBER: 8094

**LA-S-109**