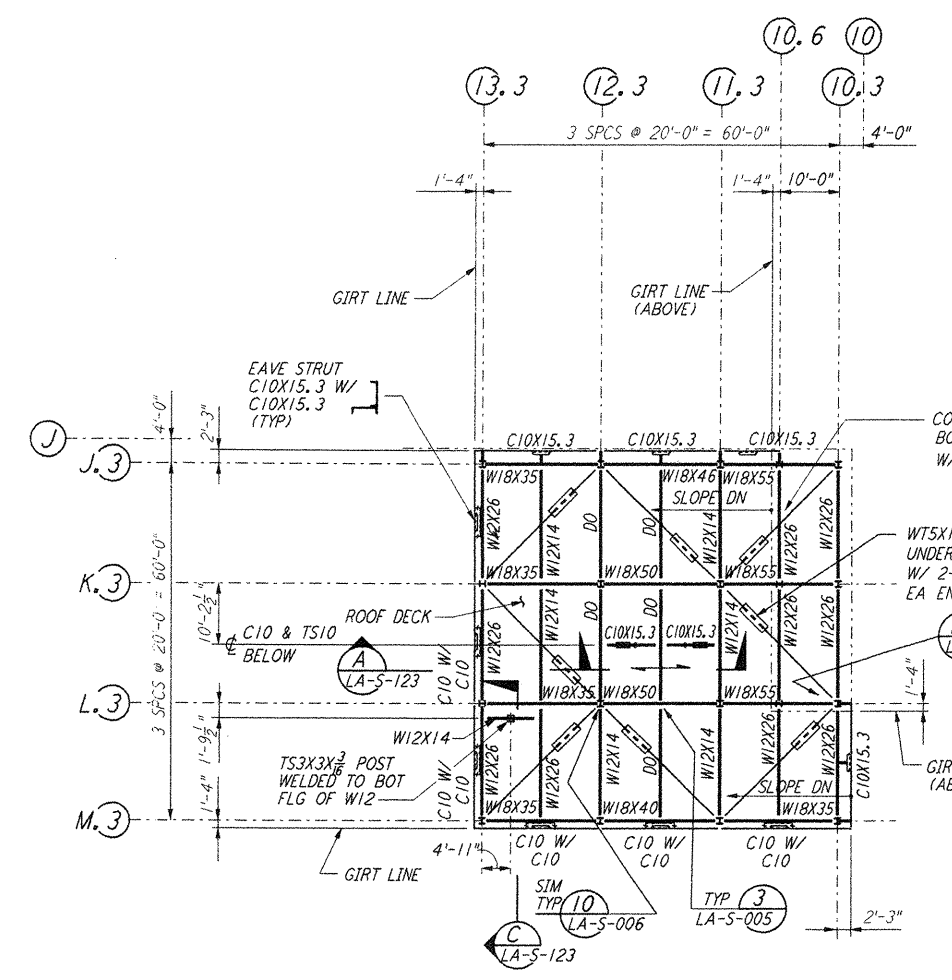
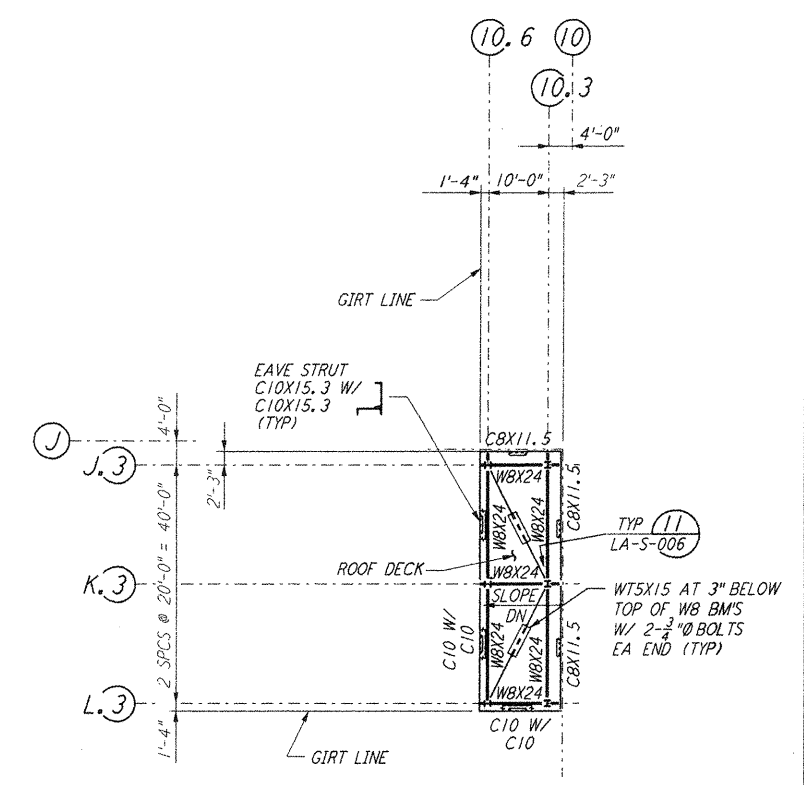


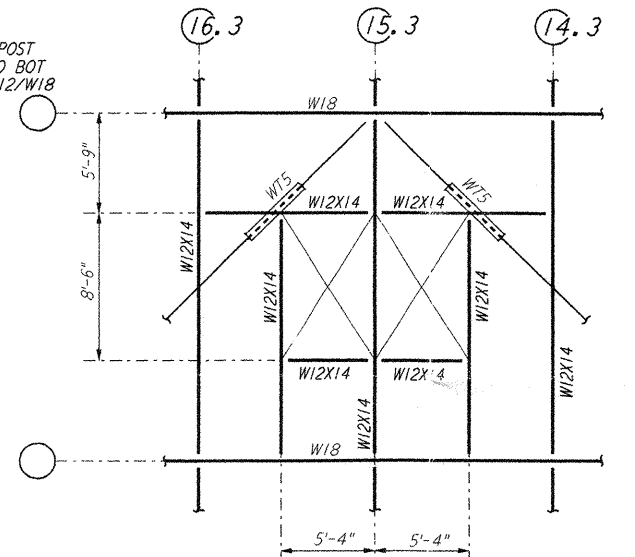
**LOW ROOF FRAMING PLAN**  
 1/8" = 1'-0"



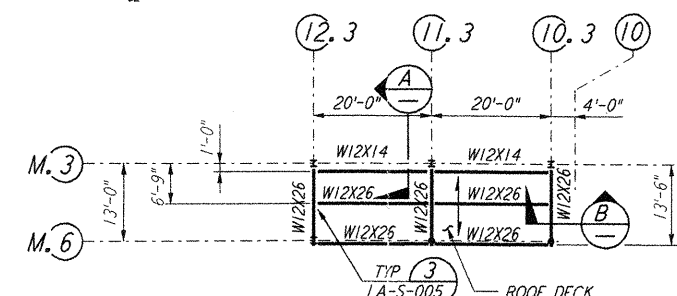
**HIGH ROOF FRAMING PLAN**  
 1/8" = 1'-0"



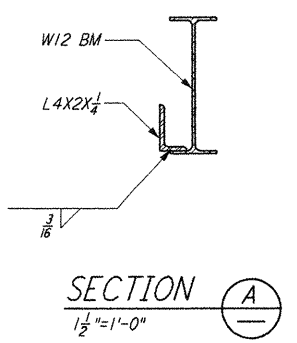
**DUCT ENCLOSURE ROOF PLAN**  
 1/8" = 1'-0"



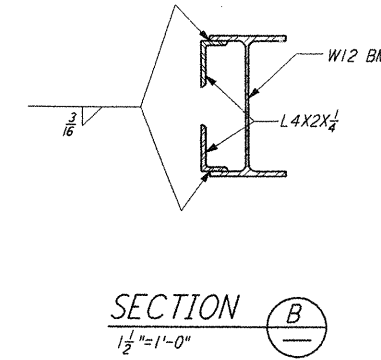
**SKYLIGHT FRAMING PLAN**  
 1/8" = 1'-0"



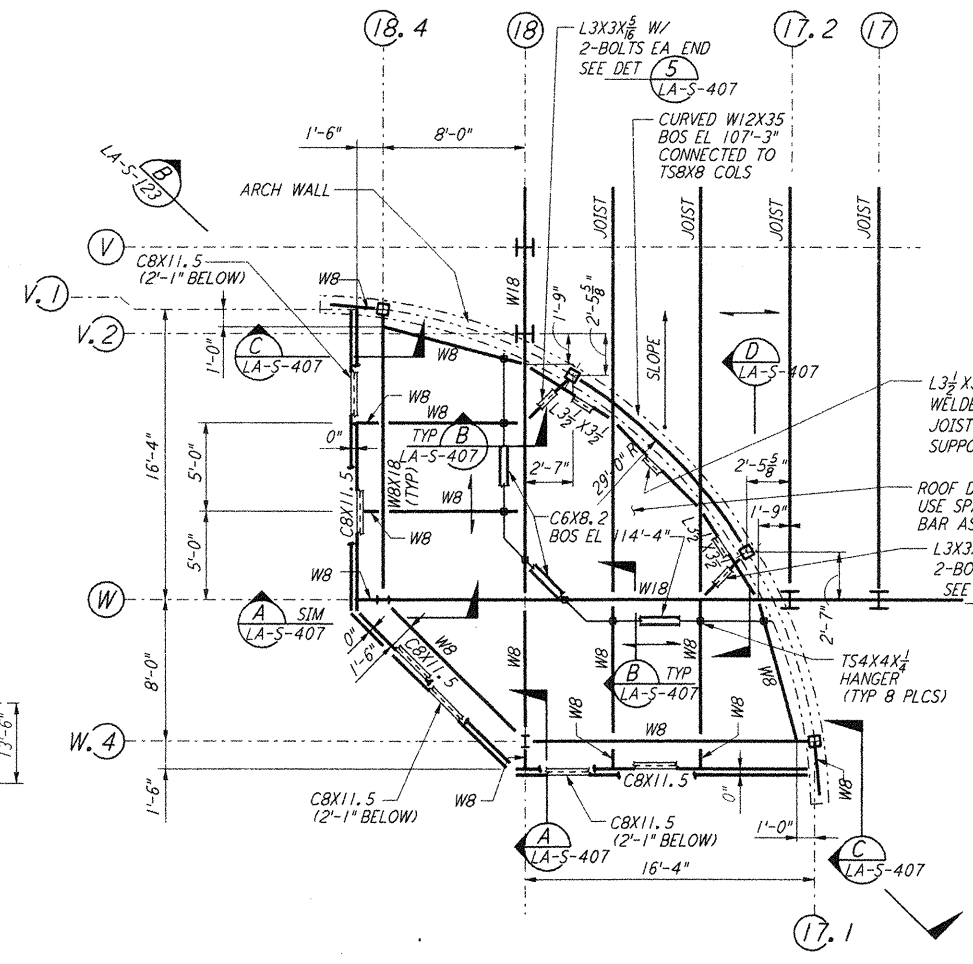
**CANOPY FRAMING PLAN**  
 1/8" = 1'-0"



**SECTION A**  
 1 1/2" = 1'-0"

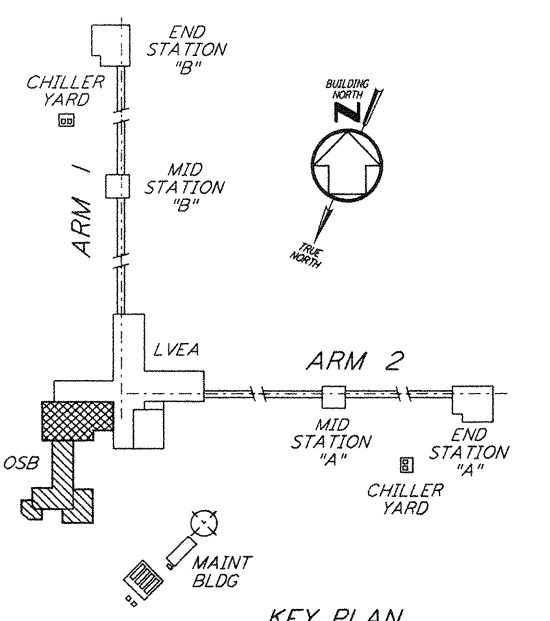
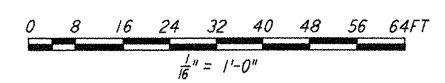


**SECTION B**  
 1 1/2" = 1'-0"



**ENLARGED FRAMING PLAN**  
 1/8" = 1'-0"

**NOTE:**  
 1. FOR STRUCTURAL GENERAL NOTES, ABBREVIATIONS AND LEGEND, SEE DWG LA-S-001.



**KEY PLAN**  
**LIGO-D960932-02-0**

NO.	DATE	BY	CHKD	ENGR	PROJ	DESCRIPTION
2	08-07-98	WA	gsm	gsm	WU	ISSUED FOR AS-BUILT
1	2-28-97	RM	AB	BP	BP	ADDED SKYLIGHT FRMG

NO.	DATE	BY	CHKD	ENGR	PROJ	DESCRIPTION
1	11-15-96	MCS	DDM	DDM	DDM	ISSUED FOR CONSTRUCTION
2	11-15-96	DDM	DDM	DDM	DDM	CHECKED
3	11-15-96	BP	BP	BP	BP	ENGINEER
4	11-15-96	TDM	TDM	TDM	TDM	PROJ

**AS-BUILT DRAWINGS**

**PARSONS**  
 100 WEST WALNUT STREET  
 PASADENA, CALIFORNIA

**LIGO**  
 CALIFORNIA INSTITUTE OF TECHNOLOGY  
 MASSACHUSETTS INSTITUTE OF TECHNOLOGY

TITLE	SCALE	CONTRACT NUMBER	PROJECT NUMBER
STRUCTURAL CORNER STATION OSB ROOF FRAMING PLANS	AS NOTED	PP150969	8094
SHEET NUMBER		REVISIONS	
LA-S-116		2	

This document and the design it covers are the property of PARSONS. They are loaned only with the borrower's expressed written agreement that they will not be reproduced, copied, loaned, exhibited, or used in any other way, except by written consent from PARSONS to the borrower.