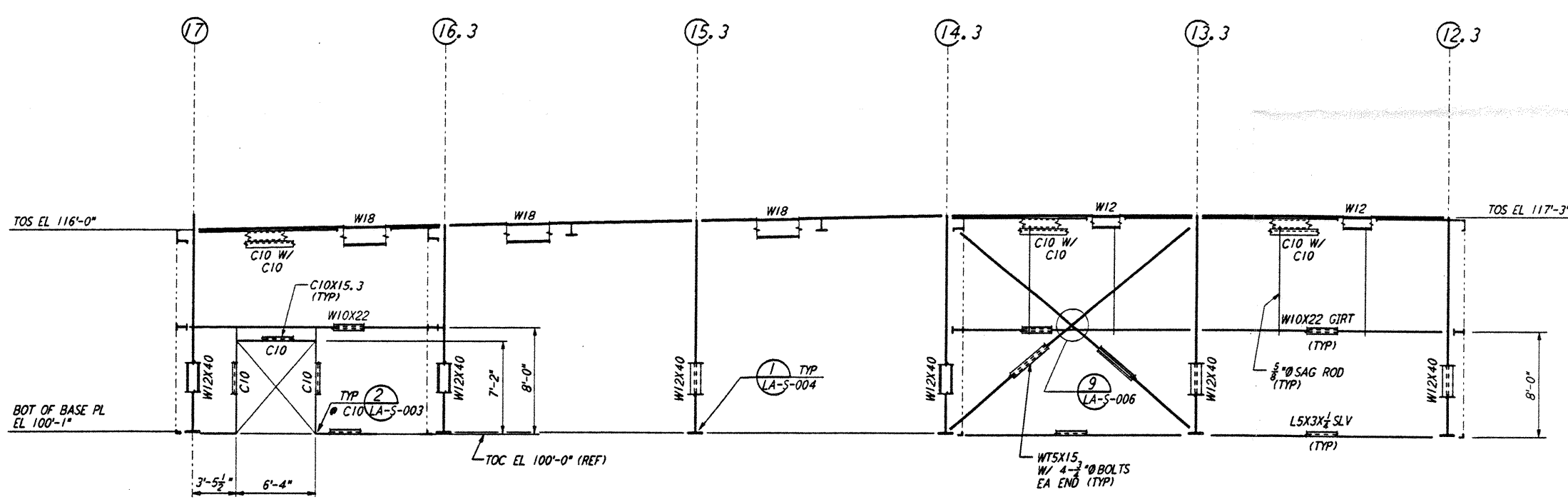
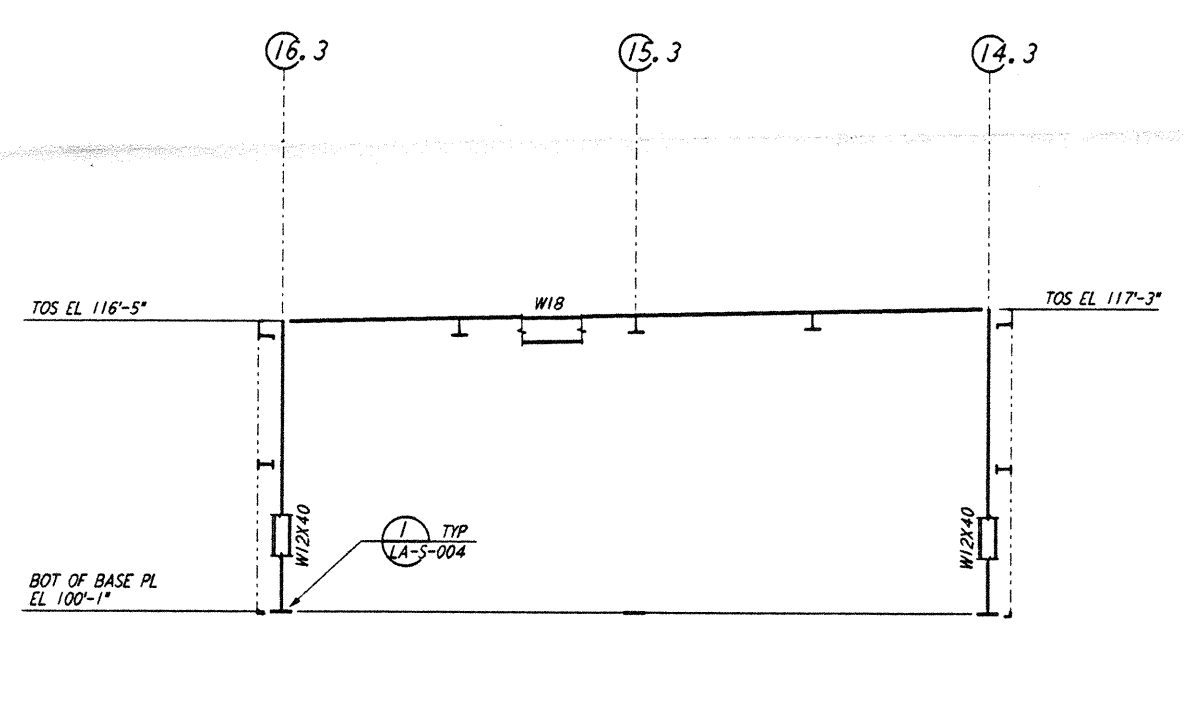


FRAMING ELEVATION AT COLUMN LINE M. 3
 $\frac{3}{8}'' = 1'-0''$

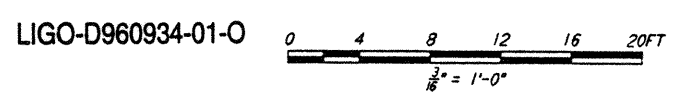


FRAMING ELEVATION AT COLUMN LINE N. 3
 $\frac{3}{8}'' = 1'-0''$



FRAMING ELEVATION AT COLUMN LINE P. 3, R, S & T
 $\frac{3}{8}'' = 1'-0''$

- NOTES:
- FOR GENERAL NOTES, ABBREVIATIONS AND SYMBOLS SEE DRAWING LA-S-001.
 - FOR CHANNEL, GIRT AND EAVE STRUT CONNECTION DETAILS SEE DRAWING LA-S-005.
 - FOR W BEAM TO COLUMN WEB/FLANGE CONNECTIONS, SEE DETAILS (A) LA-S-004, (B) LA-S-007 & (C) LA-S-007 TYPICAL UNLESS OTHERWISE NOTED.
 - FOR BASE ANGLE (LSX3) CONNECTIONS, SEE SECTION (A) LA-S-003.
 - FOR VERT BRCC CONNECTIONS SEE (D) LA-S-006, (E) LA-S-006, (F) LA-S-007, (G) LA-S-007 TYP UNON.

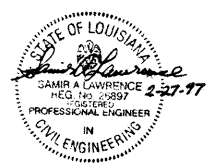


This document and the design it covers are the property of PARSONS. They are loaned only with the borrower's expressed written agreement that they will not be reproduced, copied, loaned, exhibited, or used in any other way, except by written consent from PARSONS to the borrower.

This document and the design it covers are the property of PARSONS. They are loaned only with the borrower's expressed written agreement that they will not be reproduced, copied, loaned, exhibited, or used in any other way, except by written consent from PARSONS to the borrower.

NO.	DATE	BY	CHKD	ENGR	PROJ	DESCRIPTION
1	2-28-97	RM	A.B	HT		REV GIRT EL AT ELEV LN M. 3

ISSUED FOR CONSTRUCTION	
DRAWN	MCS 11-15-96
CHECKED	DDM 11-15-96
ENGINEER	BP 11-15-96
PROJ	TDM 11-15-96



PARSONS
 100 WEST WALNUT STREET
 PASADENA, CALIFORNIA

LIGO
 CALIFORNIA INSTITUTE OF TECHNOLOGY
 MASSACHUSETTS INSTITUTE OF TECHNOLOGY

LASER INTERFEROMETER
 GRAVITATIONAL-WAVE OBSERVATORY
 SITE NO. 2 - LIVINGSTON, LOUISIANA

TITLE: STRUCTURAL CORNER STATION OSB FRAMING ELEVATIONS SHEET 2

AS NOTED PPI 50969 8094

LA-S-118