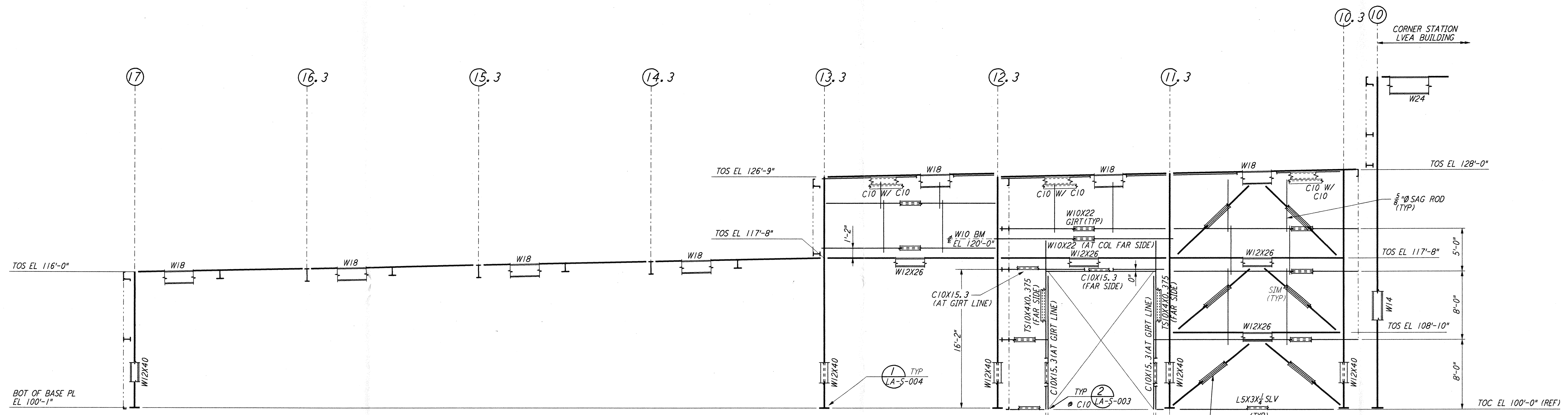
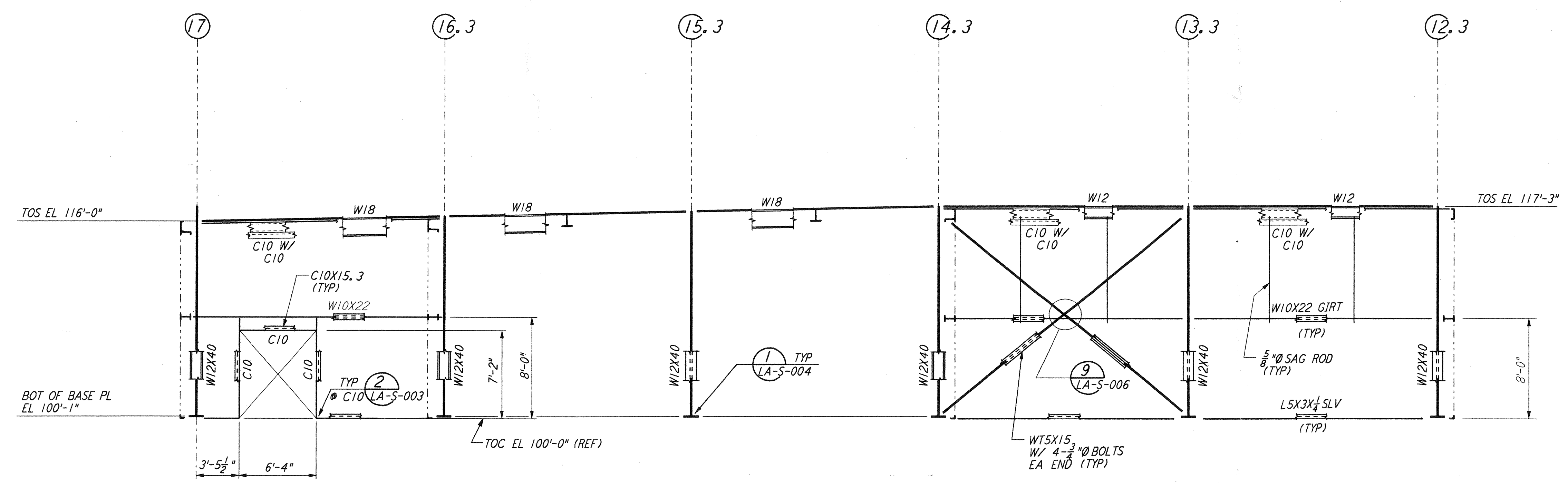


not be reproduced, copied, loaned, exhibited, or used in any other way, except by written consent from PARSONS to the borrower.

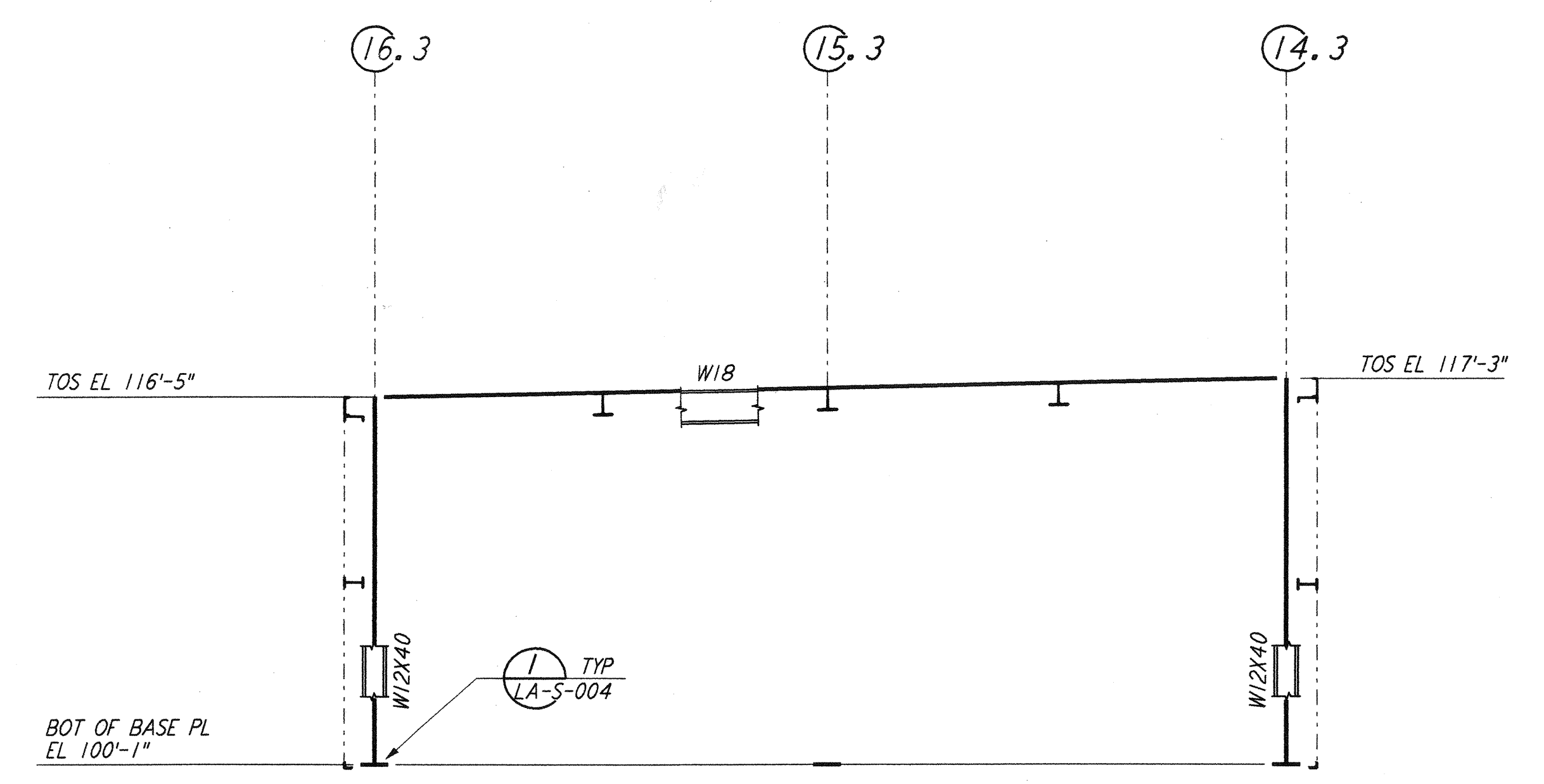
This document and the design it covers are the property of PARSONS. They are loaned only with the borrower's expressed written agreement that they will



FRAMING ELEVATION AT COLUMN LINE M. 3
 $\frac{3}{16}'' = 1'-0''$

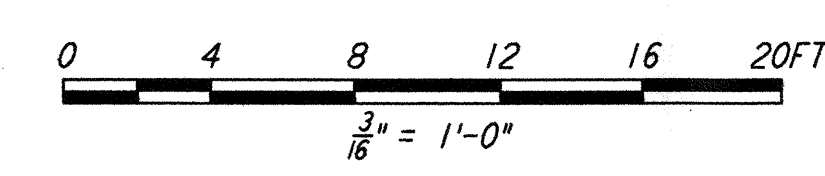


FRAMING ELEVATION AT COLUMN LINE N. 3
 $\frac{3}{16}'' = 1'-0''$



FRAMING ELEVATION AT COLUMN LINE P. 3, R, S & T
 $\frac{3}{16}'' = 1'-0''$

- NOTES:**
- FOR GENERAL NOTES, ABBREVIATIONS AND SYMBOLS SEE DRAWING LA-S-001.
 - FOR CHANNEL, GIRT AND EAVE STRUT CONNECTION DETAILS SEE DRAWING LA-S-005.
 - FOR W BEAM TO COLUMN WEB/FLANGE CONNECTIONS, SEE DETAILS (3) & (4) TYPICAL UNLESS OTHERWISE NOTED.
 (3) LA-S-007 & (4) LA-S-007
 - FOR BASE ANGLE (LSX3) CONNECTIONS, SEE SECTION (1) LA-S-003
 - FOR VERT BRGC CONNECTIONS SEE (2) LA-S-006 (8) LA-S-006 (1) LA-S-007 (2) LA-S-007 TYP UON.



NO.	DATE	BY	CHKD	ENGR	PROJ	DESCRIPTION
2	08-07-98	WA	RM	AB	BP	ISSUED FOR AS-BUILT
1	2-28-97	RM	AB	BP		REV GIRT EL AT ELEV LN M. 3

ISSUED FOR CONSTRUCTION	
DRAWN	MCS 11-15-96
CHECKED	DDM 11-15-96
ENGINEER	BP 11-15-96
PROJ	TDM 11-15-96

AS-BUILT DRAWINGS

PARSONS
 100 WEST WALNUT STREET
 PASADENA, CALIFORNIA

LIGO
 CALIFORNIA INSTITUTE OF TECHNOLOGY
 MASSACHUSETTS INSTITUTE OF TECHNOLOGY

LIGO-D960934-02-O
 LASER INTERFEROMETER
 GRAVITATIONAL-WAVE OBSERVATORY
 SITE NO. 2 - LIVINGSTON, LOUISIANA

TITLE	SCALE	CONTRACT NUMBER	PROJECT NUMBER
STRUCTURAL CORNER STATION OSB FRAMING ELEVATIONS SHEET 2	AS NOTED	PP150969	8094
SHEET NUMBER		REVISIONS	
LA-S-118			