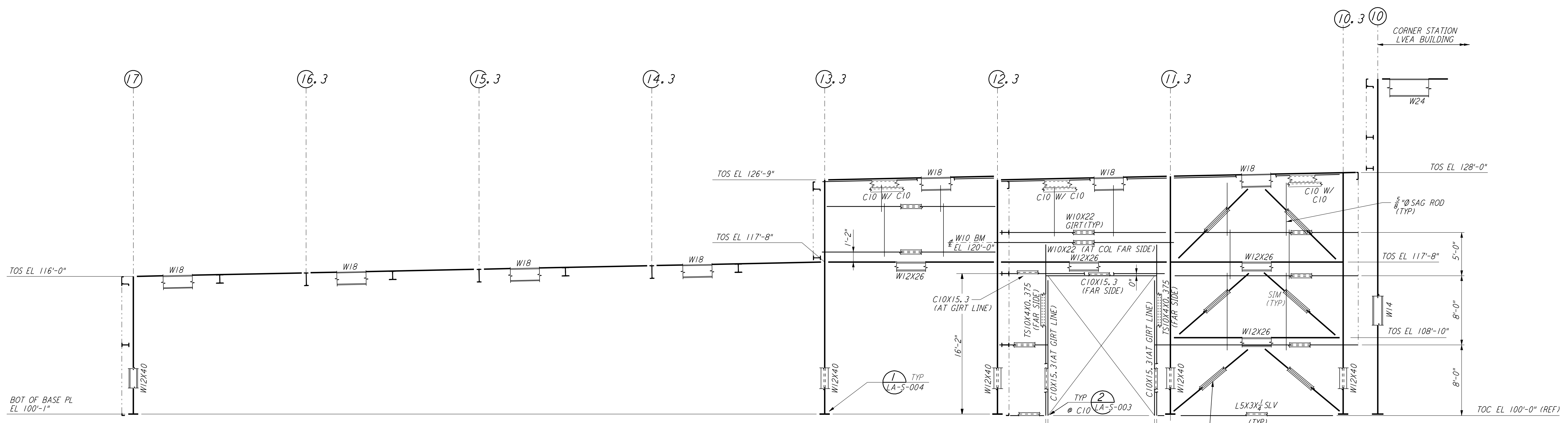
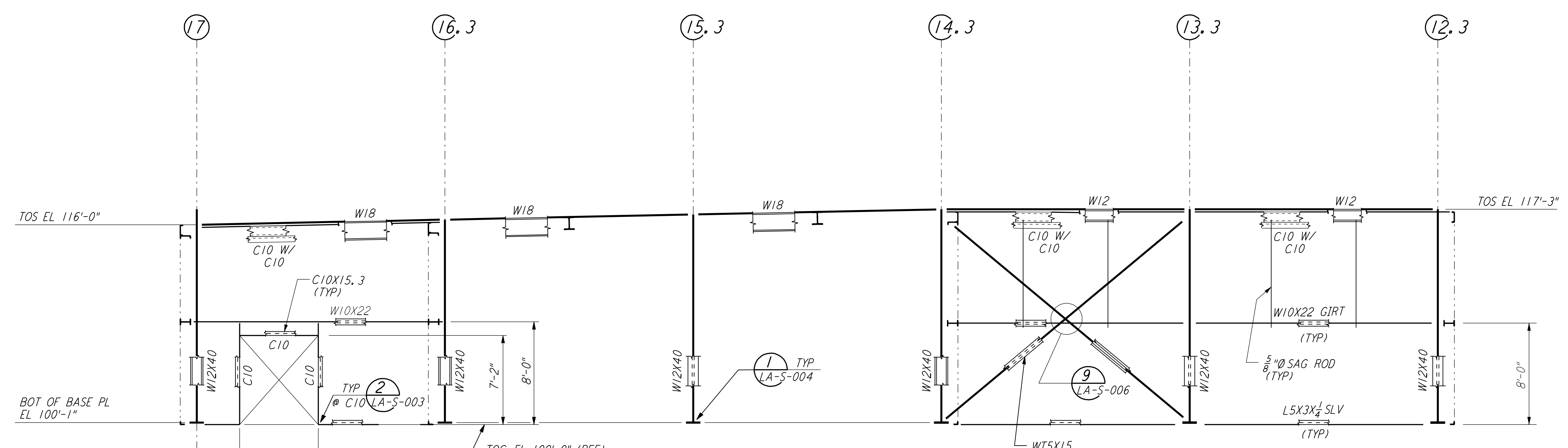


This document and the design it covers are the property of PARSONS. They are loaned only with the borrower's expressed written agreement that they will not be reproduced, copied, loaned, exhibited, or used in any other way, except by written consent from PARSONS to the borrower.

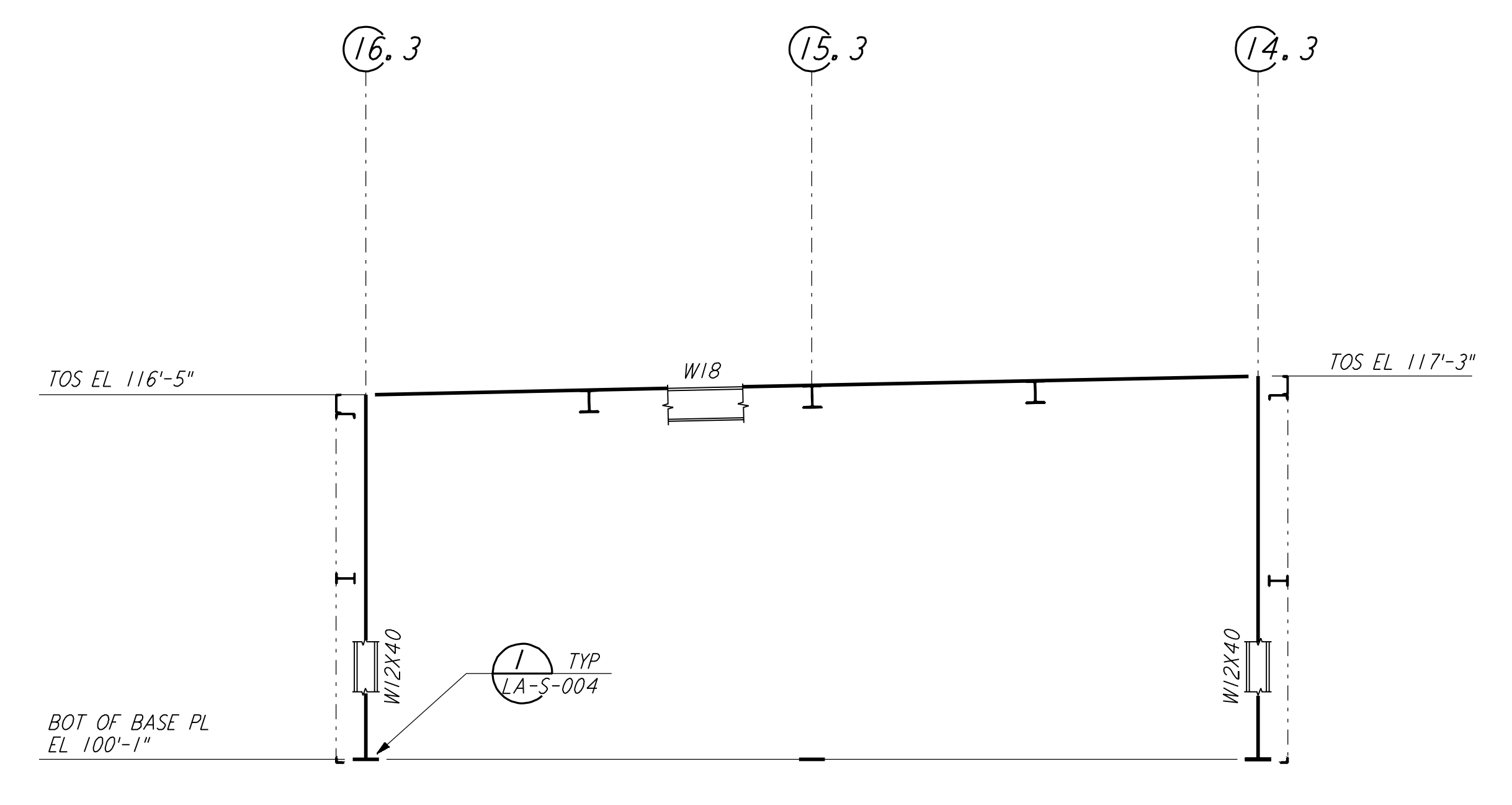
This document and the design it covers are the property of PARSONS. They are loaned only with the borrower's expressed written agreement that they will not be reproduced, copied, loaned, exhibited, or used in any other way, except by written consent from PARSONS to the borrower.



FRAMING ELEVATION AT COLUMN LINE M. 3
 $\frac{3}{16}'' = 1'-0''$

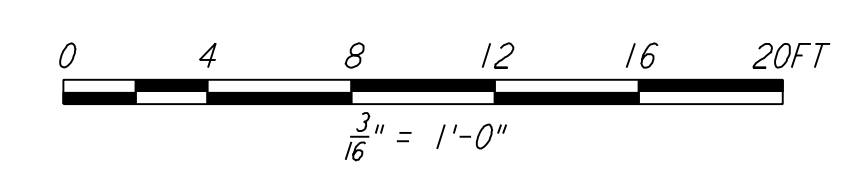


FRAMING ELEVATION AT COLUMN LINE N. 3
 $\frac{3}{16}'' = 1'-0''$



FRAMING ELEVATION AT COLUMN LINE P. 3, R, S & T
 $\frac{3}{16}'' = 1'-0''$

- NOTES:**
- FOR GENERAL NOTES, ABBREVIATIONS AND SYMBOLS SEE DRAWING LA-S-001.
 - FOR CHANNEL, GIRT AND EAVE STRUT CONNECTION DETAILS SEE DRAWING LA-S-005.
 - FOR W BEAM TO COLUMN WEB/FLANGE CONNECTIONS, SEE DETAILS (6) LA-S-004, (3) LA-S-007 & (4) LA-S-007 TYPICAL UNLESS OTHERWISE NOTED.
 - FOR BASE ANGLE (L5X3) CONNECTIONS, SEE SECTION (A) LA-S-003.
 - FOR VERT BRGC CONNECTIONS SEE (2) LA-S-006, (8) LA-S-006, (1) LA-S-007, (2) LA-S-007 TYP UNON.



LIGO-D960934-02-O

NO.	DATE	BY	CHKD	ENGR	PROJ	DESCRIPTION
2	08-07-98	IWA				ISSUED FOR AS-BUILT
1	2-28-97	RM	AB	BP		REV GIRT EL AT ELEV LN M. 3

ISSUED FOR CONSTRUCTION		
DRAWN	MCS	11-15-96
CHECKED	DDM	11-15-96
ENGINEER	BP	11-15-96
PROJ	TDM	11-15-96
AS-BUILT DRAWINGS		

PARSONS
 100 WEST WALNUT STREET
 PASADENA, CALIFORNIA

LIGO
 CALIFORNIA INSTITUTE OF TECHNOLOGY
 MASSACHUSETTS INSTITUTE OF TECHNOLOGY

LASER INTERFEROMETER
 GRAVITATIONAL-WAVE OBSERVATORY
 SITE NO. 2 - LIVINGSTON, LOUISIANA

TITLE	STRUCTURAL CORNER STATION OSB FRAMING ELEVATIONS SHEET 2	SCALE	AS NOTED	CONTRACT NUMBER	PP150969	PROJECT NUMBER	8094
SHEET NUMBER	LA-S-118	REVISIONS					