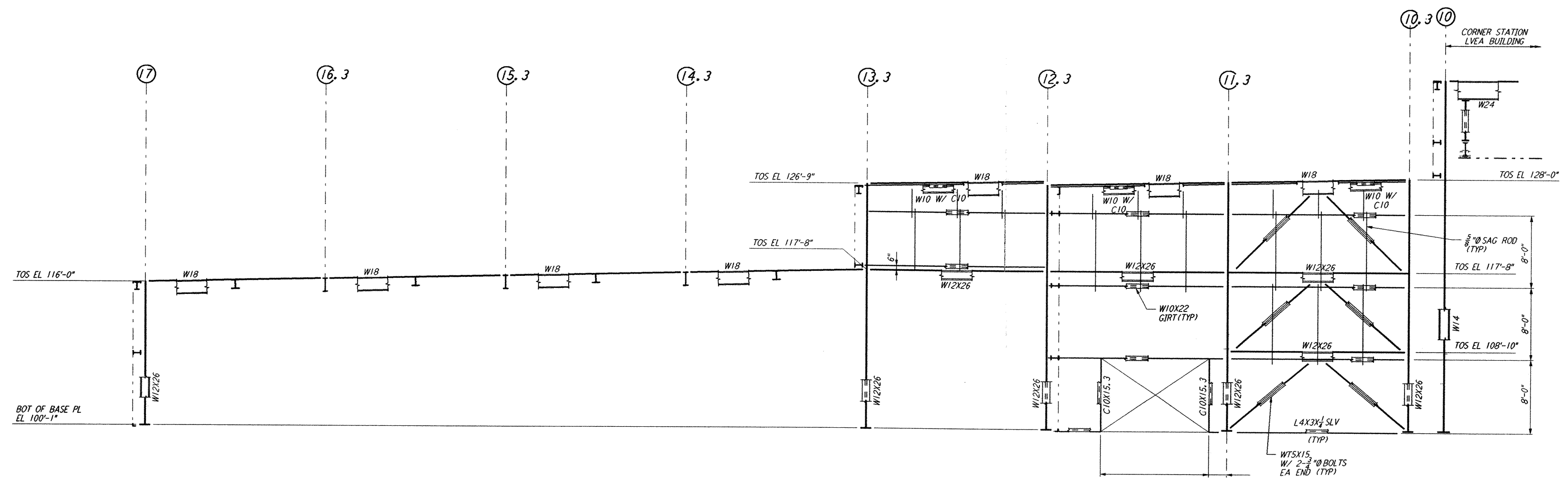
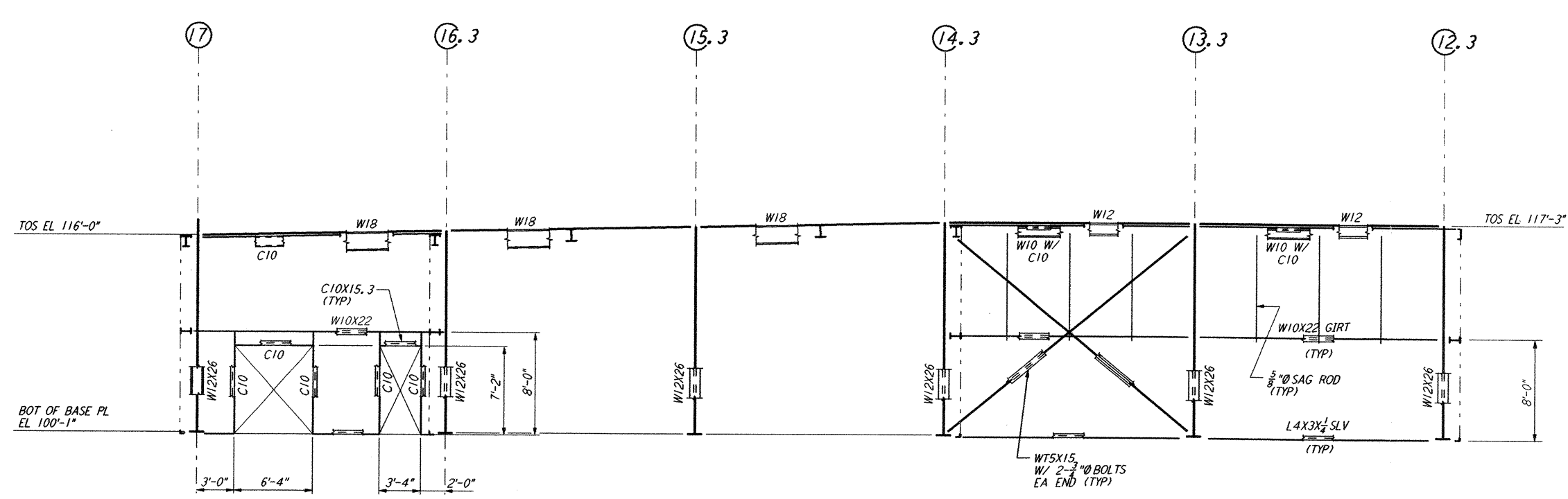


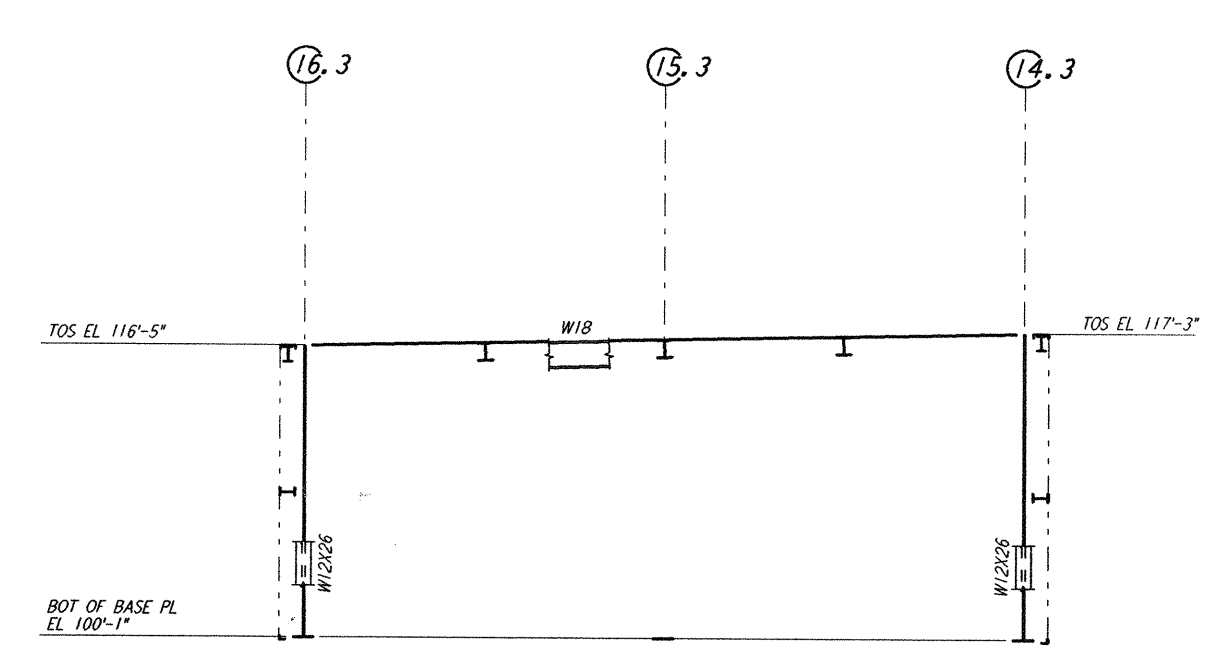
This document and the design it covers are the property of PARSONS. They are loaned only with the borrower's expressed written agreement that they will not be reproduced, copied, loaned, exhibited, or used in any other way, except by written consent from PARSONS to the borrower.



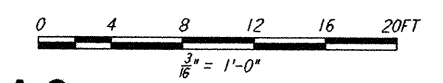
FRAMING ELEVATION AT COLUMN LINE M. 3  
 1/8" = 1'-0"



FRAMING ELEVATION AT COLUMN LINE N. 3  
 1/8" = 1'-0"



FRAMING ELEVATION AT COLUMN LINE P. 3, R, S & T  
 1/8" = 1'-0"



LIGO-D960935-A-0

NO.	DATE	APRD BY	DESCRIPTION OF REVISION
9			
8			
7			
6			
5			
4			
3			
2			
1			

NO.	DATE	APRD BY	ISSUE
A	10-31-95	TDM	PRELIMINARY DESIGN REVIEW ISSUED FOR

DATE	10-31-95
DRAWN	MCS
CHECKED	
ENGINEER	
PROJ MGR	

**PARSONS**  
 100 WEST WALNUT STREET  
 PASADENA, CALIFORNIA

**LIGO**  
 CALIFORNIA INSTITUTE OF TECHNOLOGY  
 MASSACHUSETTS INSTITUTE OF TECHNOLOGY

LASER INTERFEROMETER  
 GRAVITATIONAL-WAVE OBSERVATORY  
 SITE NO. 2 - LIVINGSTON, LOUISIANA

TITLE	SCALE	CONTRACT NUMBER	PROJECT NUMBER
CORNER STATION (OSB) FRAMING ELEVATIONS SHEET 2	AS NOTED	PP150969	8094
SHEET NUMBER		REVISION	
<b>LA-S-119</b>			

Mon Oct 30 19:41:31 1995 s3-v18b2 J:\PLOTS\QUEUES\18B2\ST119.PRF