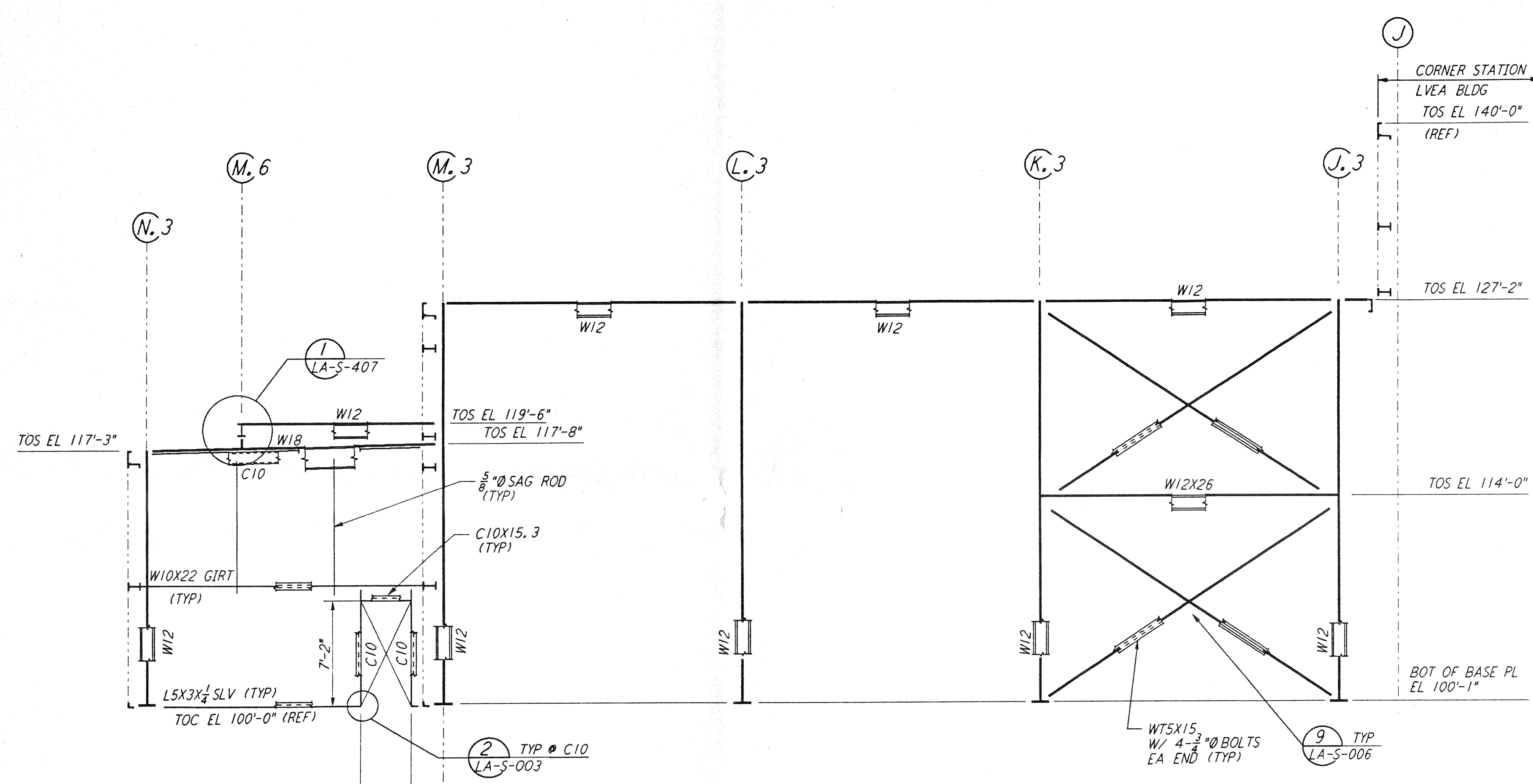
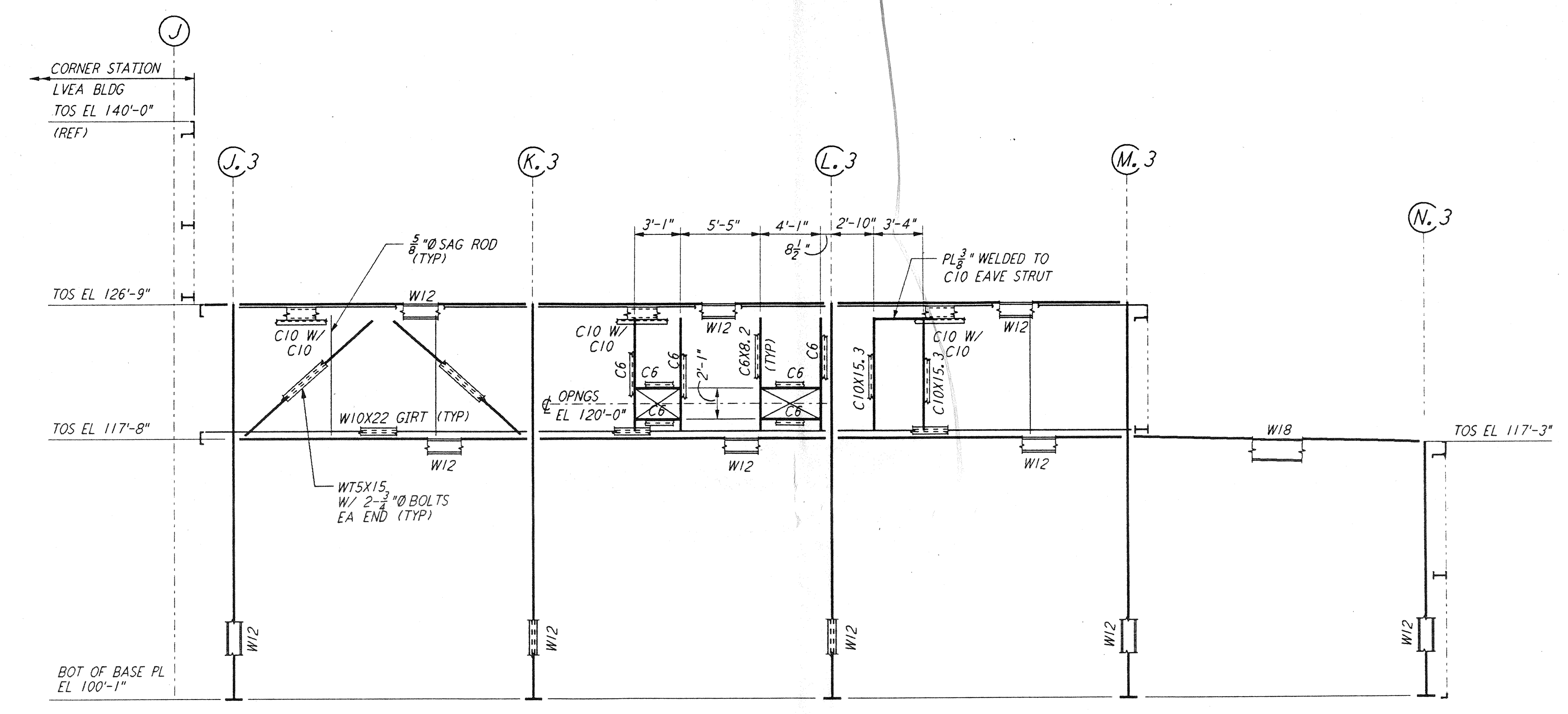


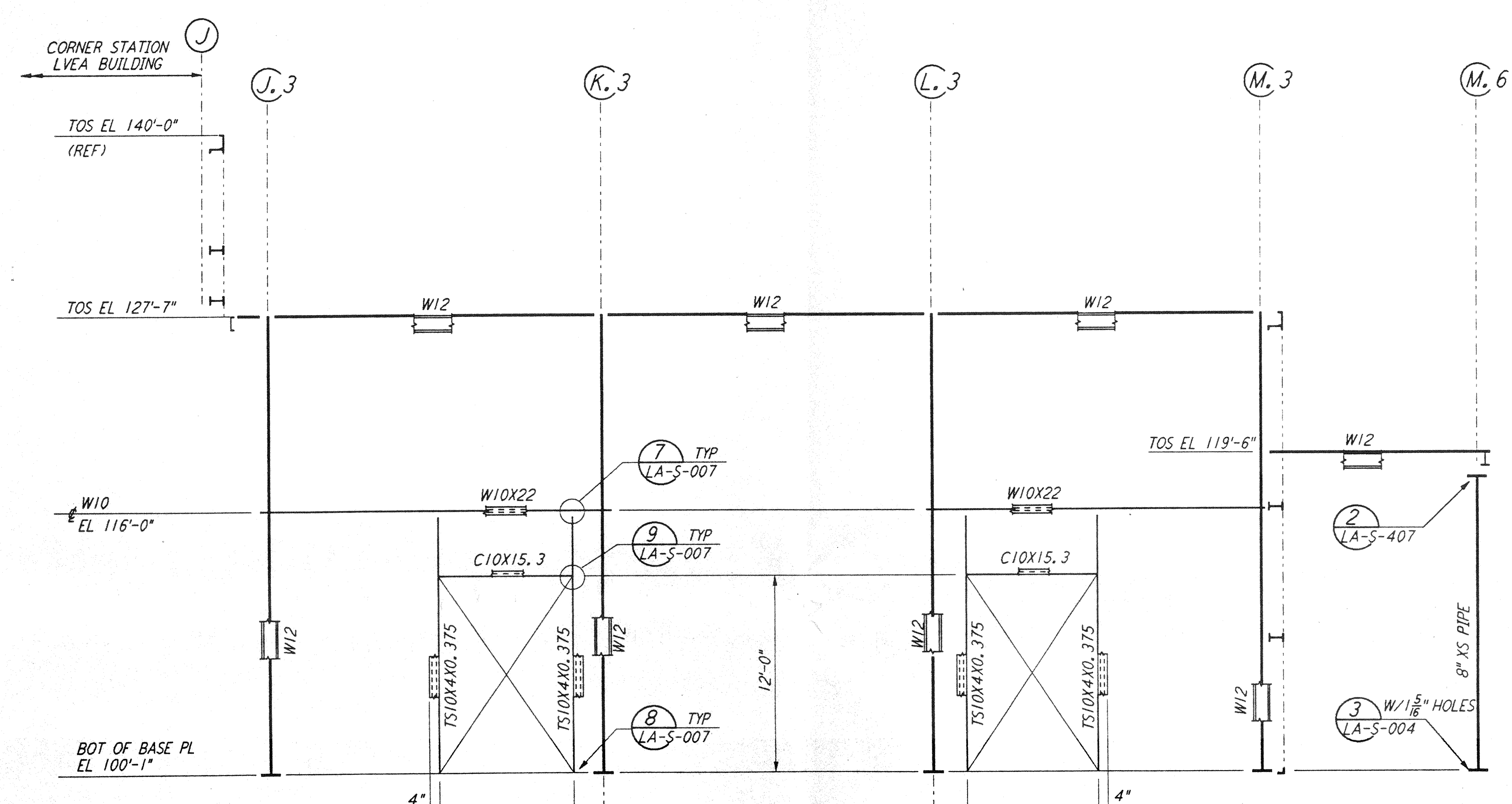
This document and the design it covers are the property of PARSONS. They are loaned only with the borrower's expressed written agreement that they will not be reproduced, copied, loaned, exhibited, or used in any other way, except by written consent from PARSONS to the borrower.



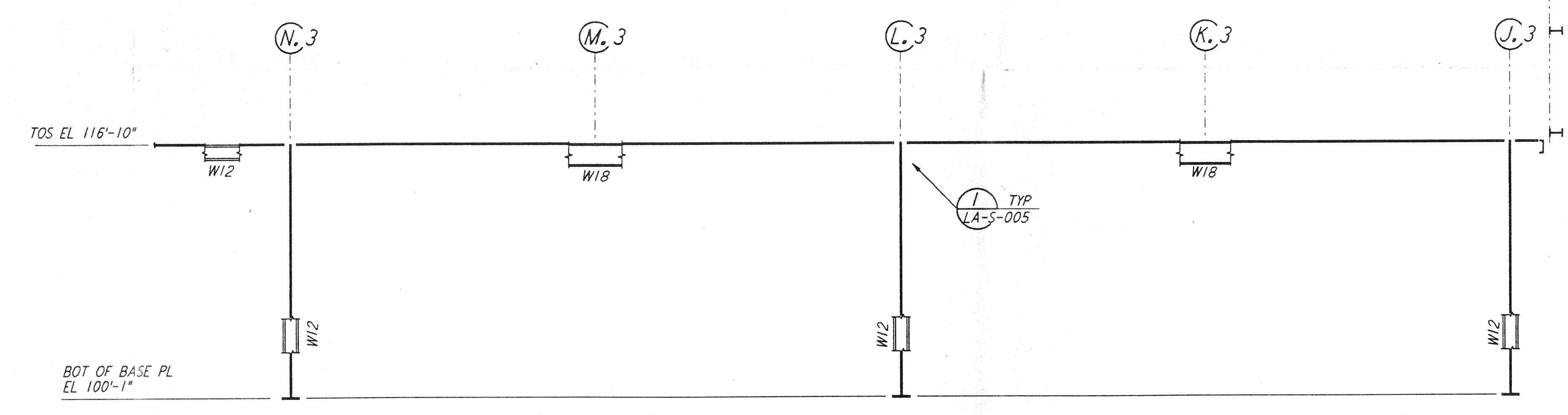
FRAMING ELEVATION AT COLUMN LINE 12.3
 $\frac{1}{8}'' = 1'-0''$



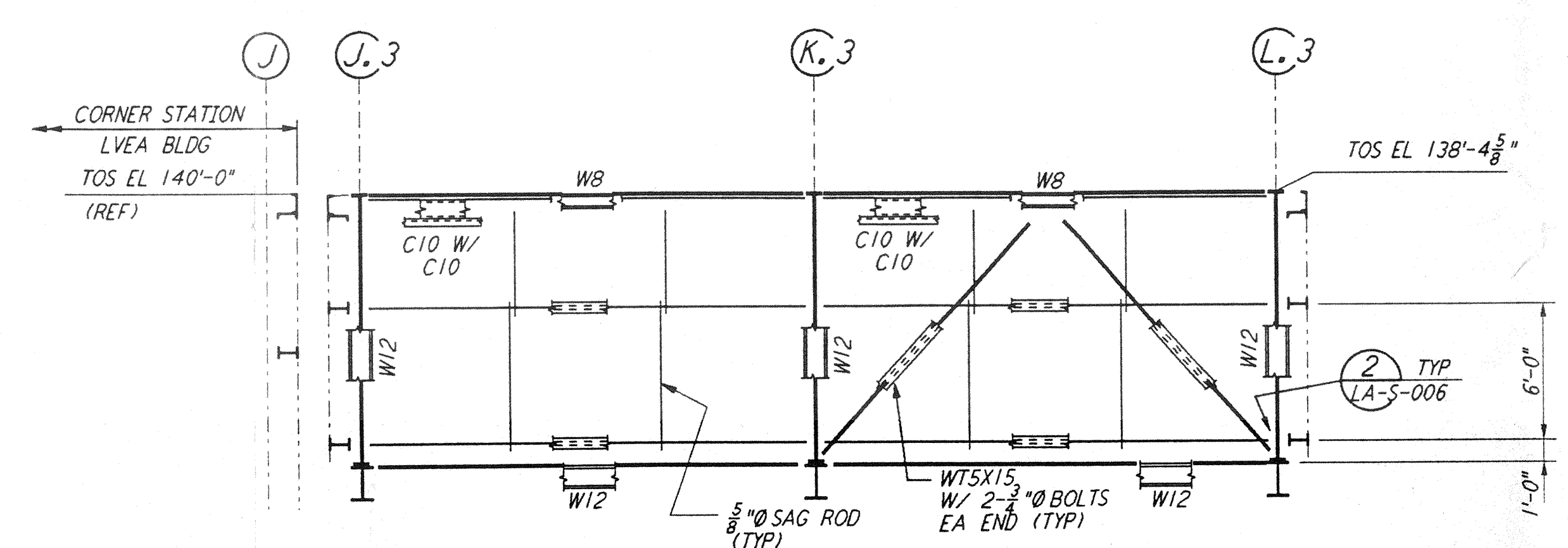
FRAMING ELEVATION AT COLUMN LINE 13.3
 $\frac{1}{8}'' = 1'-0''$



FRAMING ELEVATION AT COLUMN LINE 11.3
 $\frac{1}{8}'' = 1'-0''$

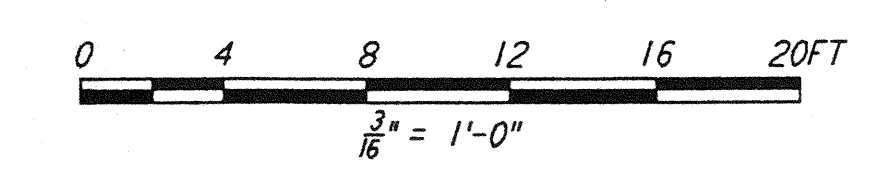


FRAMING ELEVATION AT COLUMN LINE 15.3
 $\frac{1}{8}'' = 1'-0''$



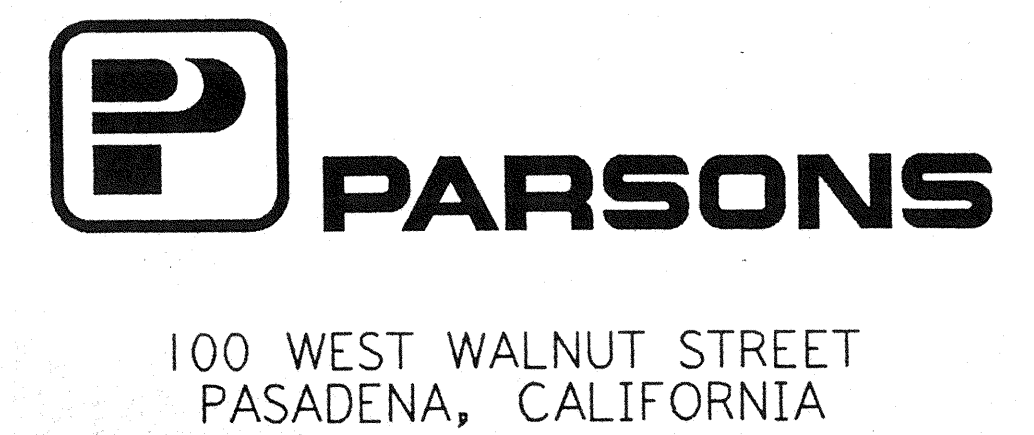
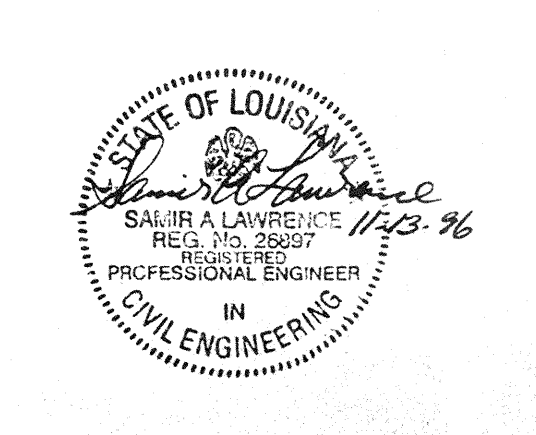
FRAMING ELEVATION AT COLUMN LINE 10.6
 $\frac{1}{8}'' = 1'-0''$

- NOTES:**
- FOR GENERAL NOTES, ABBREVIATIONS AND SYMBOLS SEE DRAWING LA-S-001.
 - FOR CHANNEL, GIRT AND EAVE STRUT CONNECTION DETAILS SEE DRAWING LA-S-005.
 - FOR W BEAM TO COLUMN WEB/FLANGE CONNECTIONS, SEE DETAILS (6) LA-S-004 & (4) LA-S-007 TYPICAL UNLESS OTHERWISE NOTED.
 - FOR BASE ANGLE (LSX3) CONNECTIONS, SEE SECTION (A) LA-S-003.
 - FOR VERT BRGC CONNECTIONS SEE (2) LA-S-006 (8) LA-S-006 (1) LA-S-007 (2) LA-S-007 TYP UNON.



REFERENCES	REVISIONS	NO.	DATE	BY	CHKD	ENGR	PROJ	DESCRIPTION

ISSUED FOR CONSTRUCTION			
DRAWN	MCS	11-15-96	
CHECKED		11-15-96	
ENGINEER		11-15-96	
PROJ		11/15/96	



LASER INTERFEROMETER
 GRAVITATIONAL-WAVE OBSERVATORY
 SITE NO. 2 - LIVINGSTON, LOUISIANA

TITLE	SCALE	CONTRACT NUMBER	PROJECT NUMBER
STRUCTURAL CORNER STATION OSB FRAMING ELEVATIONS SHEET 4	AS NOTED	PP150969	8094
SHEET NUMBER		REVISIONS	
LA-S-120			

L160-D960936-00-0 | LIGOLAF.BDR