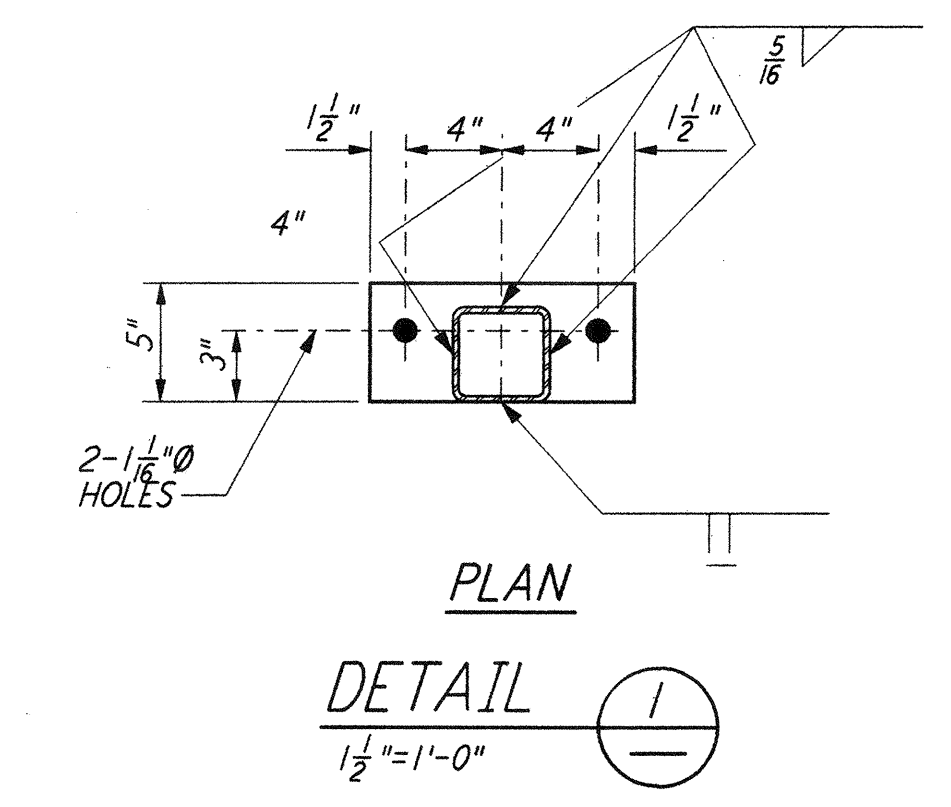
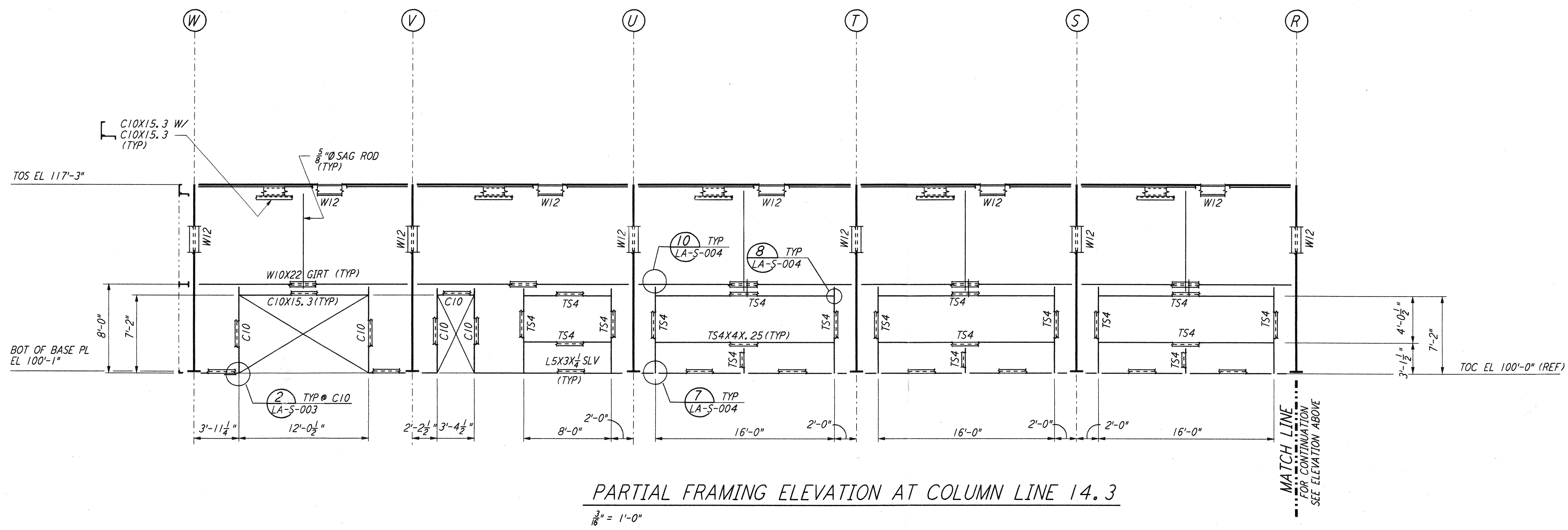


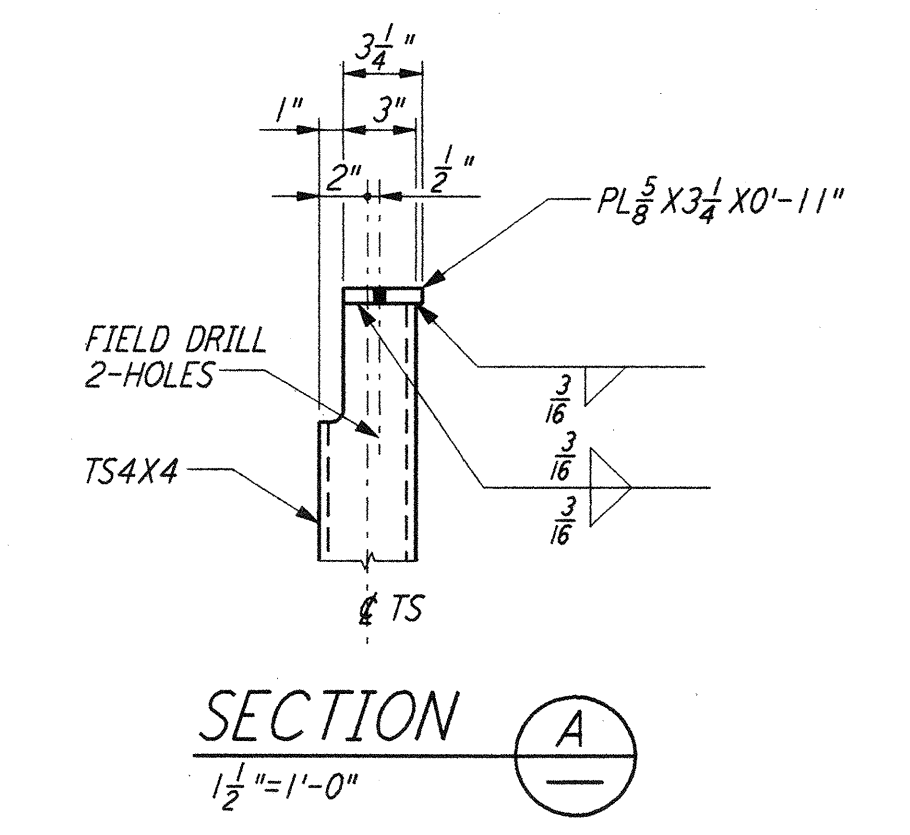
PARTIAL FRAMING ELEVATION AT COLUMN LINE 14.3
 $\frac{3}{16}'' = 1'-0''$



DETAIL (1)
 $\frac{1}{2}'' = 1'-0''$

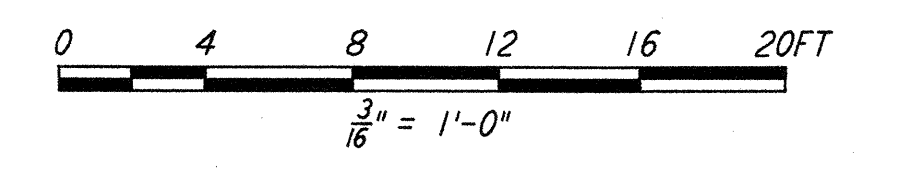


PARTIAL FRAMING ELEVATION AT COLUMN LINE 14.3
 $\frac{3}{16}'' = 1'-0''$



SECTION (A)
 $\frac{1}{2}'' = 1'-0''$

- NOTES:**
- FOR GENERAL NOTES, ABBREVIATIONS AND SYMBOLS SEE DRAWING LA-S-001.
 - FOR CHANNEL, GIRT AND EAVE STRUT CONNECTION DETAILS SEE DRAWING LA-S-005.
 - FOR W BEAM TO COLUMN WEB/FLANGE CONNECTIONS, SEE DETAILS (6) LA-S-004, (3) LA-S-007 & (4) LA-S-007 TYPICAL UNLESS OTHERWISE NOTED.
 - FOR BASE ANGLE (LSX3) CONNECTIONS, SEE SECTION (A) LA-S-003.
 - FOR VERT BRGC CONNECTIONS SEE (2) LA-S-006, (8) LA-S-006, (1) LA-S-007, (2) LA-S-007 TYP UON.



not be reproduced, copied, loaned, exhibited, or used in any other way, except by written consent from PARSONS to the borrower.

This document and the design it covers are the property of PARSONS. They are loaned only with the borrower's expressed written agreement that they will not be reproduced, copied, loaned, exhibited, or used in any other way, except by written consent from PARSONS to the borrower.

NO.	DATE	BY	CHKD	ENGR	PROJ	DESCRIPTION
2	08-07-98	WA	AB	BP	WVV	ISSUED FOR AS-BUILT
1	2-28-97	RM	AB	BP	WVV	REV DIM AT ELEV LN 14.3

ISSUED FOR CONSTRUCTION
 DRAWN MCS 11-15-96
 CHECKED DDM 11-15-96
 ENGINEER BP 11-15-96
 PROJ TDM 11-15-96

AS-BUILT DRAWINGS

PARSONS
 100 WEST WALNUT STREET
 PASADENA, CALIFORNIA

LIGO
 CALIFORNIA INSTITUTE OF TECHNOLOGY
 MASSACHUSETTS INSTITUTE OF TECHNOLOGY

LIGO-D960937-02-0

LASER INTERFEROMETER
 GRAVITATIONAL-WAVE OBSERVATORY
 SITE NO. 2 - LIVINGSTON, LOUISIANA

TITLE	SCALE	CONTRACT NUMBER	PROJECT NUMBER				
STRUCTURAL CORNER STATION OSB FRAMING ELEVATIONS SHEET 5	AS NOTED	PP150969	8094				
SHEET NUMBER	REVISIONS						
LA-S-121	<table border="1"> <tr> <td>NO.</td> <td>DESCRIPTION</td> </tr> <tr> <td> </td> <td> </td> </tr> </table>			NO.	DESCRIPTION		
NO.	DESCRIPTION						