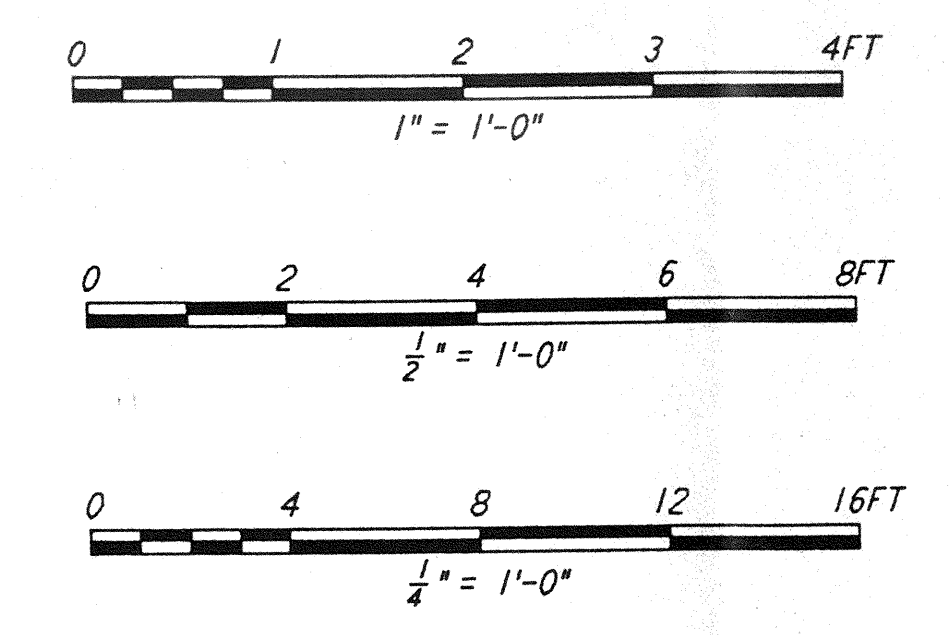
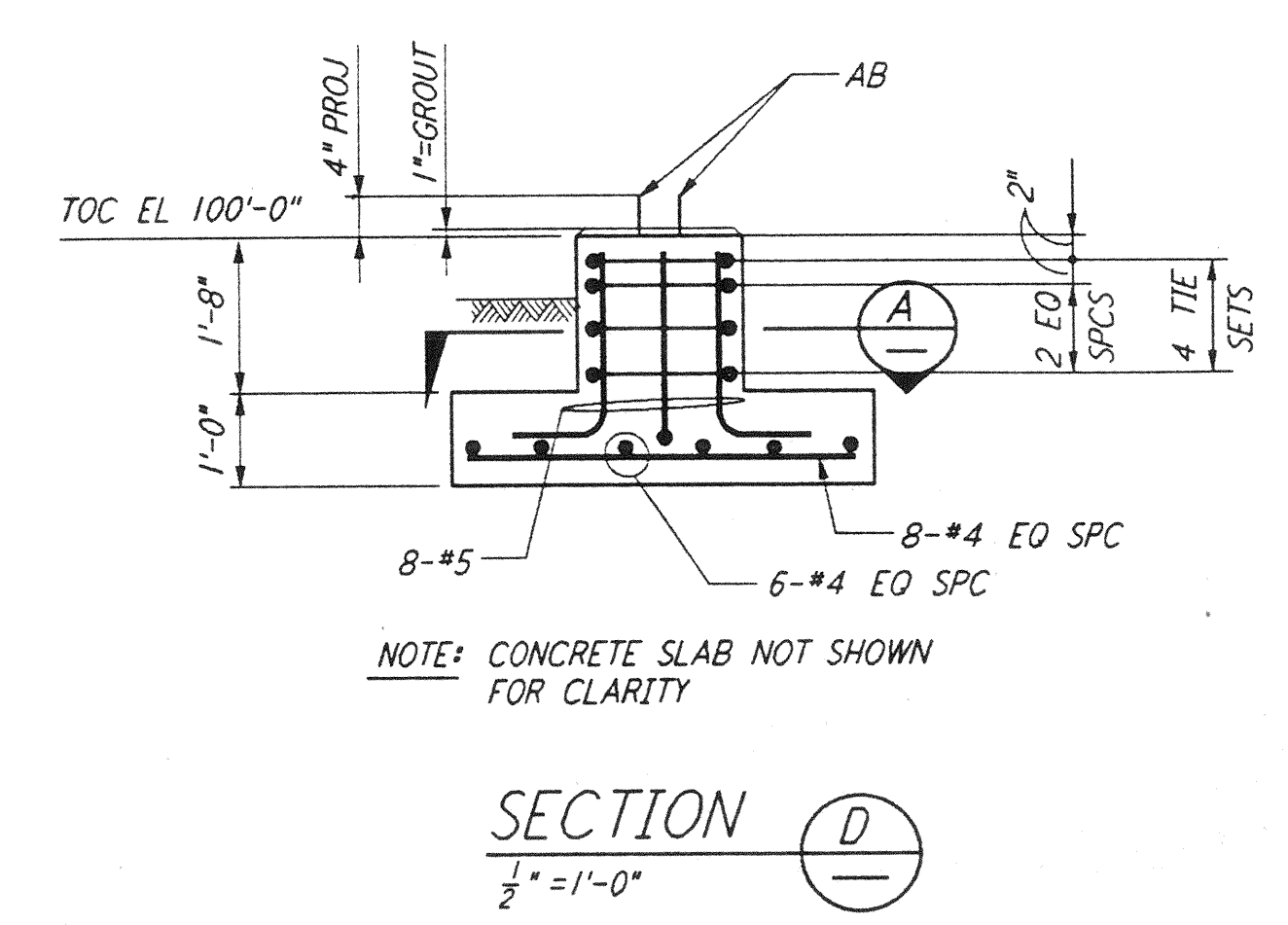
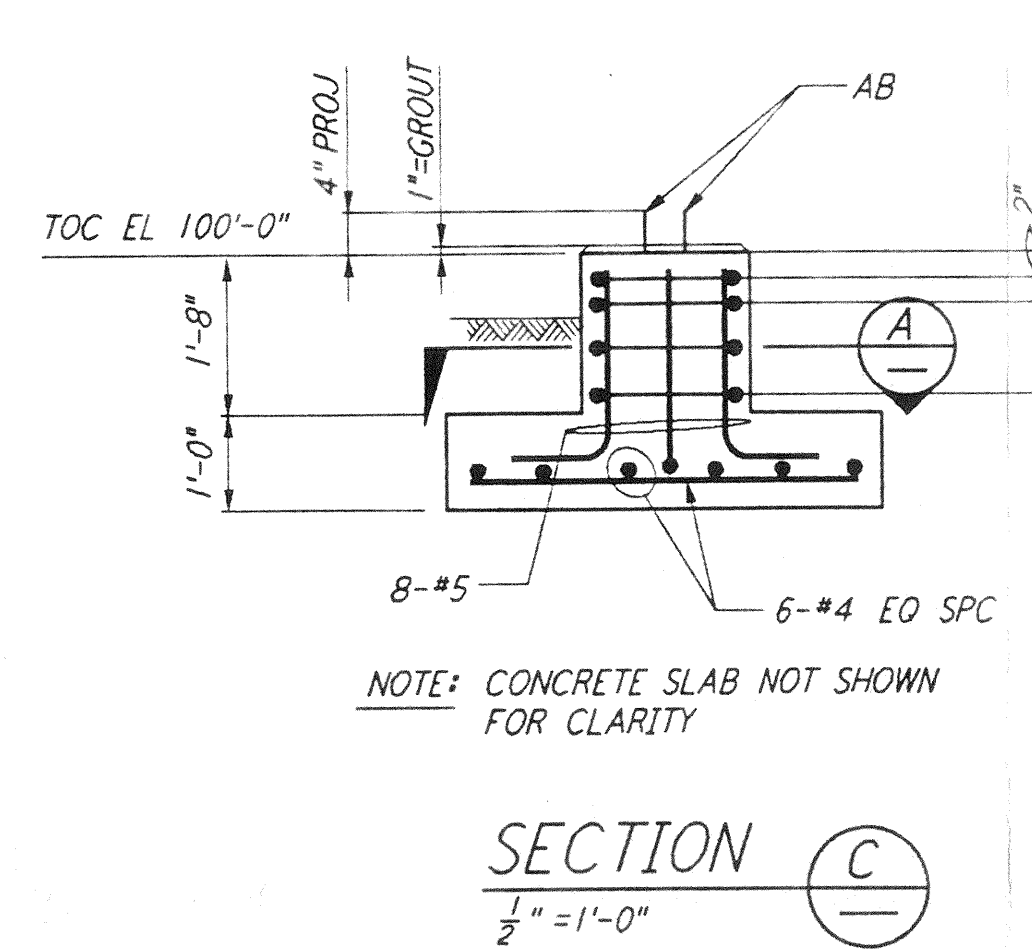
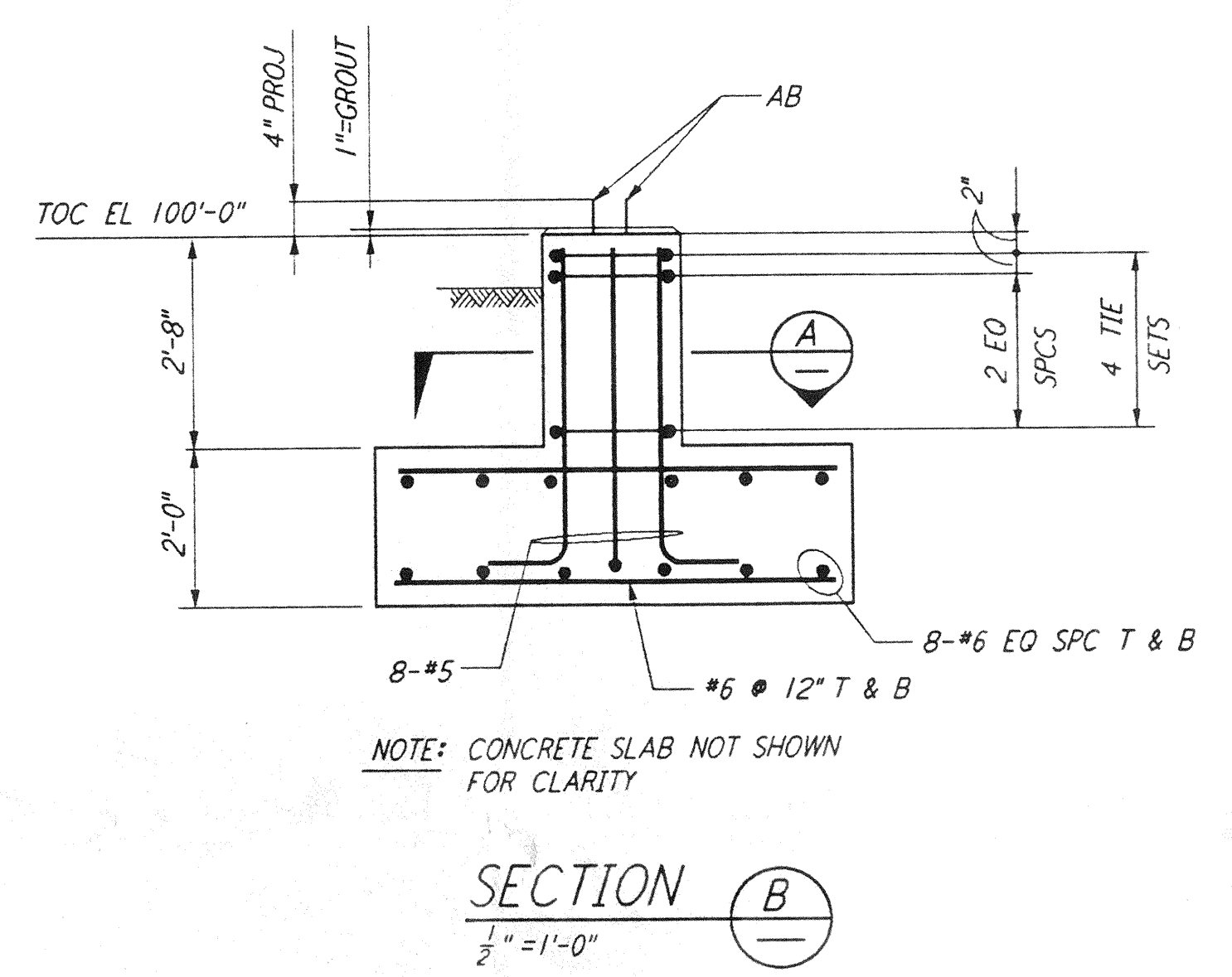
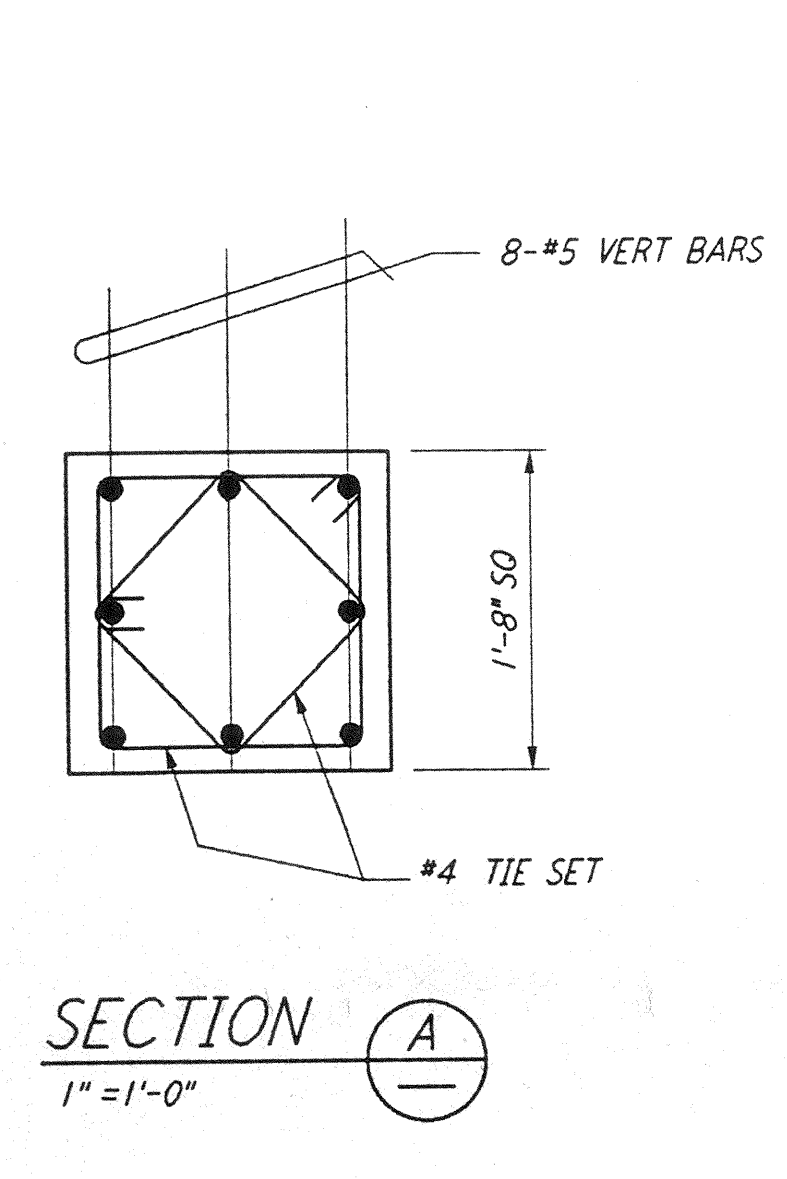


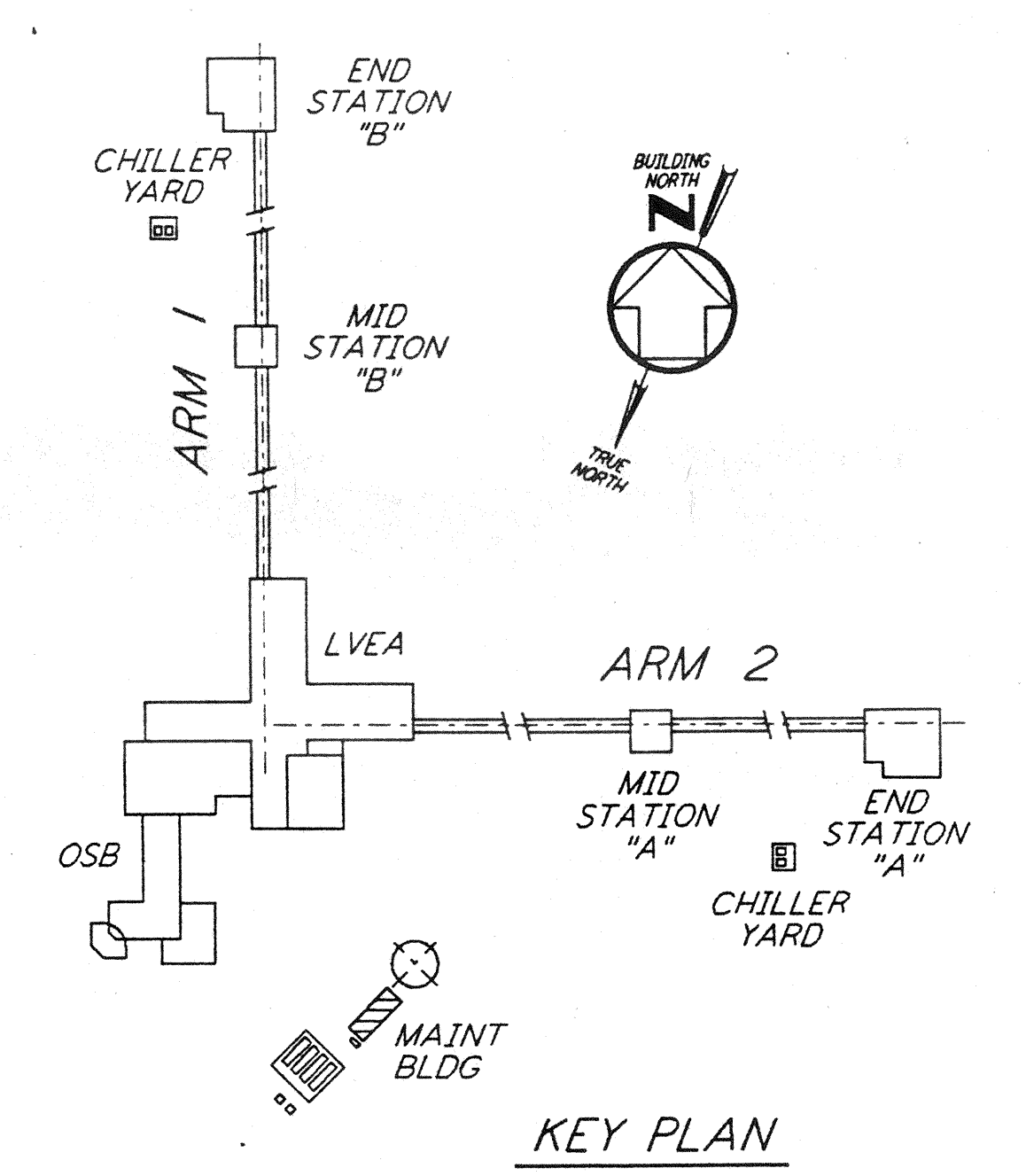
FOR FLOOR SLOPES AND FLOOR DRAINS
 SEE ARCHITECTURAL DWGS

DATUM POINT EL 100'-0" = EL 63.12'

FOUNDATION PLAN
 $\frac{1}{4}" = 1'-0"$



- NOTES:**
- FOR STRUCTURAL GENERAL NOTES, ABBREVIATIONS AND LEGEND SEE DWG. LA-S-001.
 - CONTRACTOR TO ADJUST LOCATION AND SIZE OF EQUIPMENT PADS TO SUIT VENDOR EQUIPMENT.
 - ALL VERTICAL SURFACES OF FOUNDATION SHALL BE FORMED.

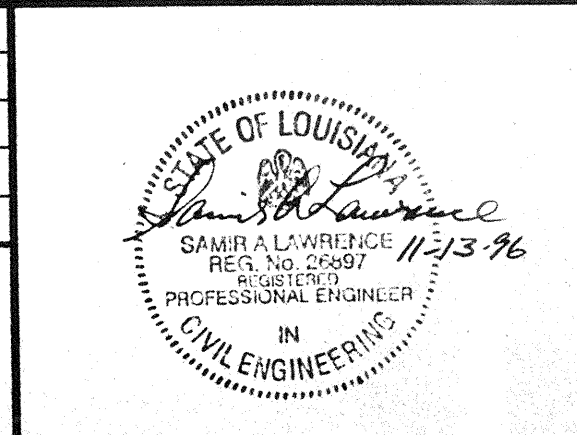


This document and the design it covers are the property of PARSONS. They are loaned only with the borrower's expressed written agreement that they will not be reproduced, copied, loaned, exhibited, or used in any other way, except by written consent from PARSONS to the borrower.

This document and the design it covers are the property of PARSONS. They are loaned only with the borrower's expressed written agreement that they will not be reproduced, copied, loaned, exhibited, or used in any other way, except by written consent from PARSONS to the borrower.

DRAWING NO.	DESCRIPTION	NO.	DATE	BY	CHKD	ENGR	PROJ	DESCRIPTION

ISSUED FOR CONSTRUCTION	PK 11-15-96
DRAWN	PK 11-15-96
CHECKED	PK 11-15-96
ENGINEER	PK 11-15-96
PROJ	PK 11/15/96



PARSONS

100 WEST WALNUT STREET
 PASADENA, CALIFORNIA

LIGO

CALIFORNIA INSTITUTE OF TECHNOLOGY
 MASSACHUSETTS INSTITUTE OF TECHNOLOGY

LASER INTERFEROMETER
 GRAVITATIONAL-WAVE OBSERVATORY
 SITE NO. 2 - LIVINGSTON, LOUISIANA

TITLE	SCALE	CONTRACT NUMBER	PROJECT NUMBER
STRUCTURAL MAINTENANCE BUILDING FDN PLAN & SECTIONS	AS NOTED	PPI50969	8094
SHEET NUMBER		REVISIONS	
LA-S-124			

L160-0960440-0-0
 LIGOLAF.BDR