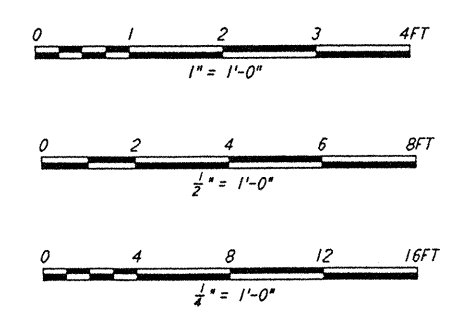
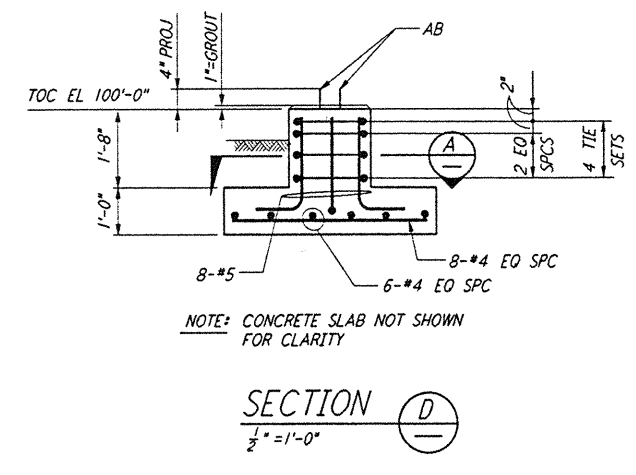
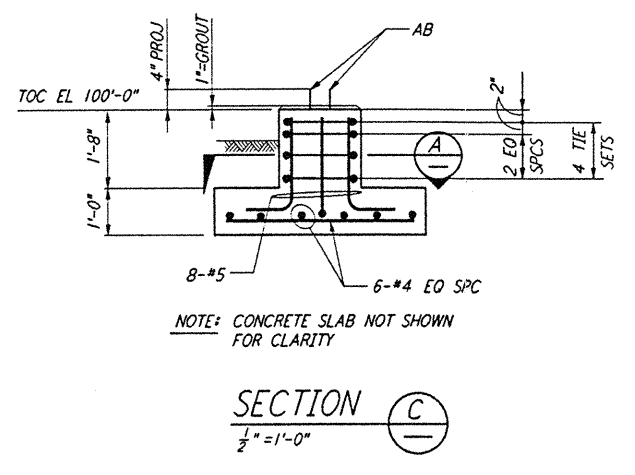
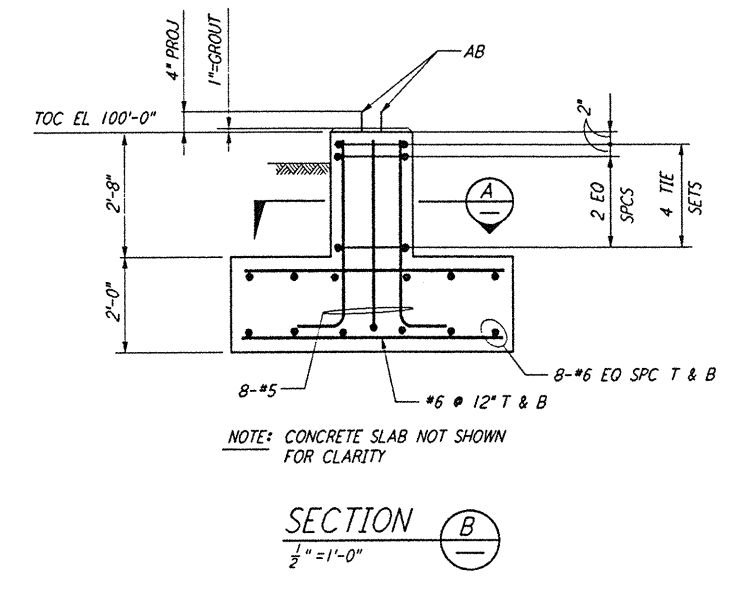
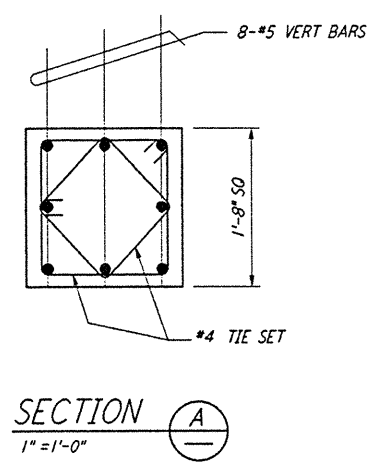


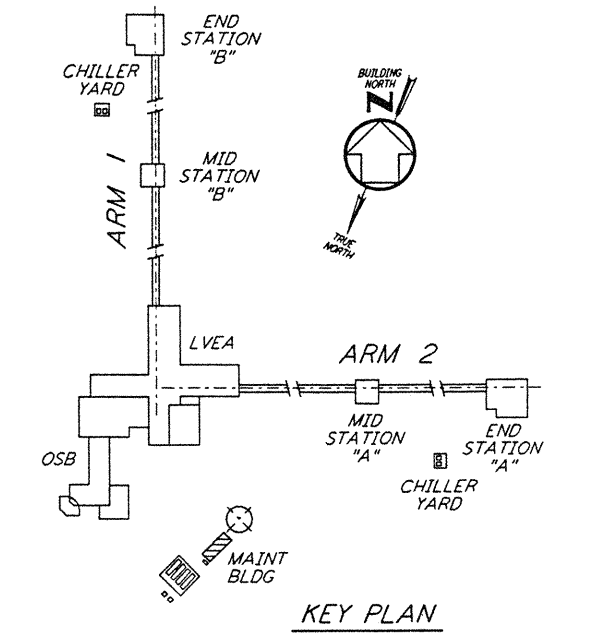
FOR FLOOR SLOPES AND FLOOR DRAINS  
 SEE ARCHITECTURAL DWGS

DATUM POINT EL 100'-0" = EL 63.12'

**FOUNDATION PLAN**  
 $\frac{1}{2}" = 1'-0"$



- NOTES:**
- FOR STRUCTURAL GENERAL NOTES, ABBREVIATIONS AND LEGEND SEE DWG. LA-S-001.
  - CONTRACTOR TO ADJUST LOCATION AND SIZE OF EQUIPMENT PADS TO SUIT VENDOR EQUIPMENT.
  - ALL VERTICAL SURFACES OF FOUNDATION SHALL BE FORMED.



This document and the design it covers are the property of PARSONS. They are loaned only with the borrower's expressed written agreement that they will not be reproduced, copied, loaned, exhibited, or used in any other way, except by written consent from PARSONS to the borrower.

This document and the design it covers are the property of PARSONS. They are loaned only with the borrower's expressed written agreement that they will not be reproduced, copied, loaned, exhibited, or used in any other way, except by written consent from PARSONS to the borrower.

NO.	DATE	BY	CHKD	ENGR	PROJ	DESCRIPTION

ISSUED FOR CONSTRUCTION	PK	11/15/96
DRAWN	PK	11/15/96
CHECKED	PK	11/15/96
ENGINEER	PK	11/15/96
PROJ	PK	11/15/96



**PARSONS**

100 WEST WALNUT STREET  
 PASADENA, CALIFORNIA

**LIGO**

CALIFORNIA INSTITUTE OF TECHNOLOGY  
 MASSACHUSETTS INSTITUTE OF TECHNOLOGY

LASER INTERFEROMETER  
 GRAVITATIONAL-WAVE OBSERVATORY  
 SITE NO. 2 - LIVINGSTON, LOUISIANA

TITLE: STRUCTURAL MAINTENANCE BUILDING FDN PLAN & SECTIONS

AS NOTED PPI 50969 8094

SHEET NUMBER: **LA-S-124**

LIGO-D960940-00-A