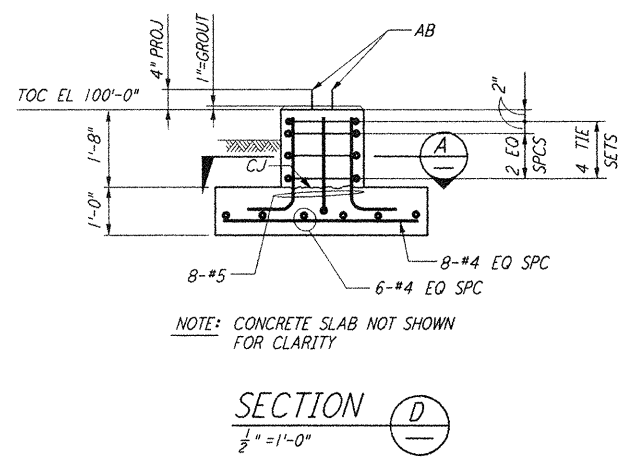
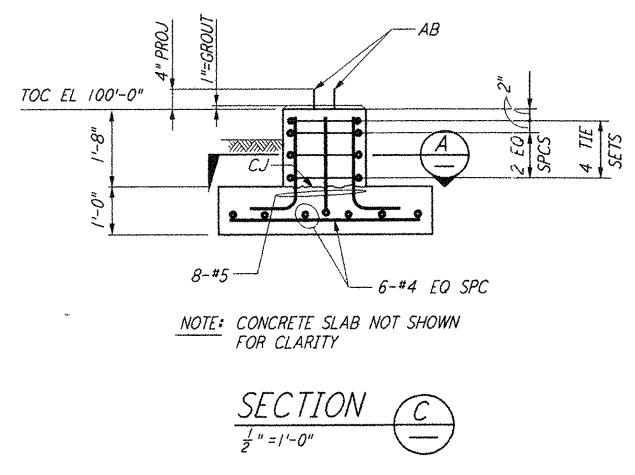
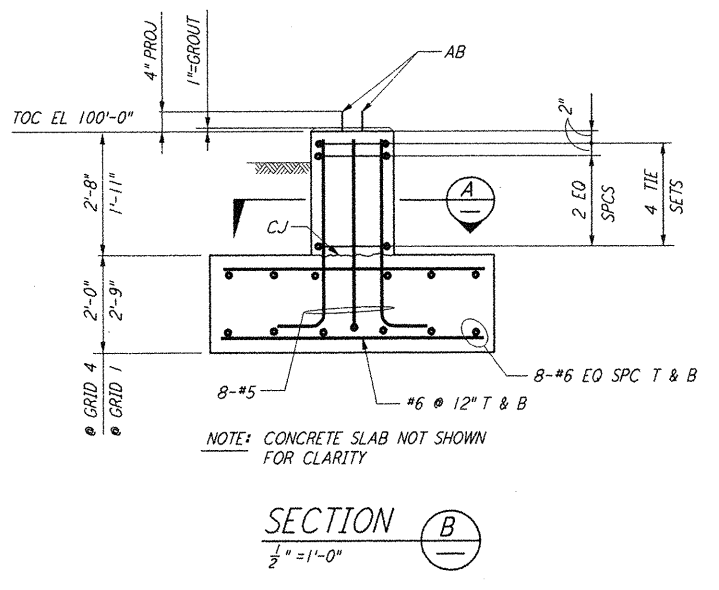
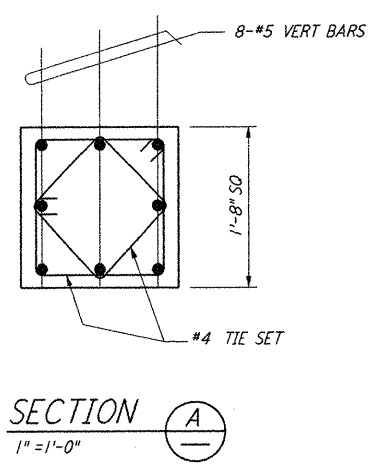


FOR FLOOR SLOPES AND FLOOR DRAINS  
 SEE ARCHITECTURAL DWGS

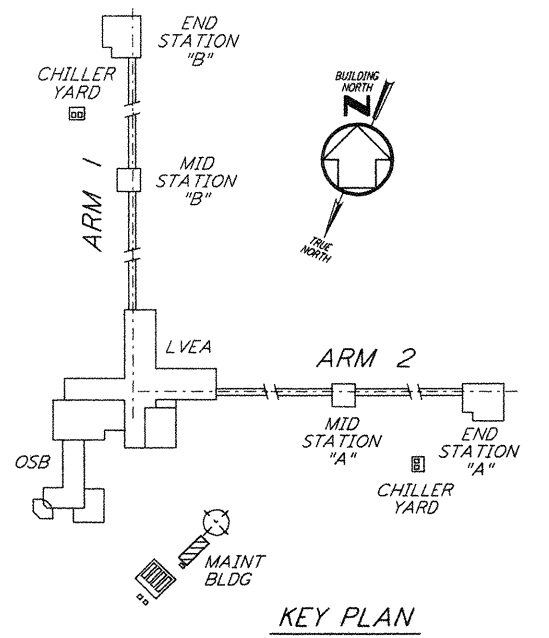
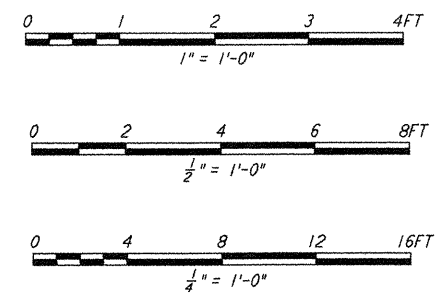
DATUM POINT EL 100'-0" = EL 63.12'

**FOUNDATION PLAN**

1/2" = 1'-0"



- NOTES:**
- FOR STRUCTURAL GENERAL NOTES, ABBREVIATIONS AND LEGEND SEE DWG. LA-S-001.
  - CONTRACTOR TO ADJUST LOCATION AND SIZE OF EQUIPMENT PADS TO SUIT VENDOR EQUIPMENT.
  - ALL VERTICAL SURFACES OF FOUNDATION SHALL BE FORMED.



NO.	DATE	BY	CHKD	ENGR	PROJ	DESCRIPTION
1	08-07-98	WA	DBM	DBM	WVW	ISSUED FOR AS-BUILT

ISSUED FOR CONSTRUCTION

DRAWN: PK 11-15-96

CHECKED: DDW 11-15-96

ENGINEER: BP 11-15-96

PROJ: TDW 11-15-96

**AS-BUILT DRAWINGS**

**PARSONS**

100 WEST WALNUT STREET  
 PASADENA, CALIFORNIA

**LIGO**

CALIFORNIA INSTITUTE OF TECHNOLOGY  
 MASSACHUSETTS INSTITUTE OF TECHNOLOGY

**LIGO-D960940-01-0**

LASER INTERFEROMETER  
 GRAVITATIONAL-WAVE OBSERVATORY  
 SITE NO. 2 - LIVINGSTON, LOUISIANA

STRUCTURAL  
 MAINTENANCE BUILDING  
 FDN PLAN & SECTIONS

AS NOTED PPI50969 8094

SHEET NUMBER  
**LA-S-124**

This document and the design it covers are the property of PARSONS. They are loaned only with the borrower's expressed written agreement that they will not be reproduced, copied, loaned, exhibited, or used in any other way, except by written consent from PARSONS to the borrower.

This document and the design it covers are the property of PARSONS. They are loaned only with the borrower's expressed written agreement that they will not be reproduced, copied, loaned, exhibited, or used in any other way, except by written consent from PARSONS to the borrower.

Thu Aug 13 15:08:50 1998 C:\PLOT\QUE\S3-Y368ZJDF 52895 K5V568Z\st124.dwg