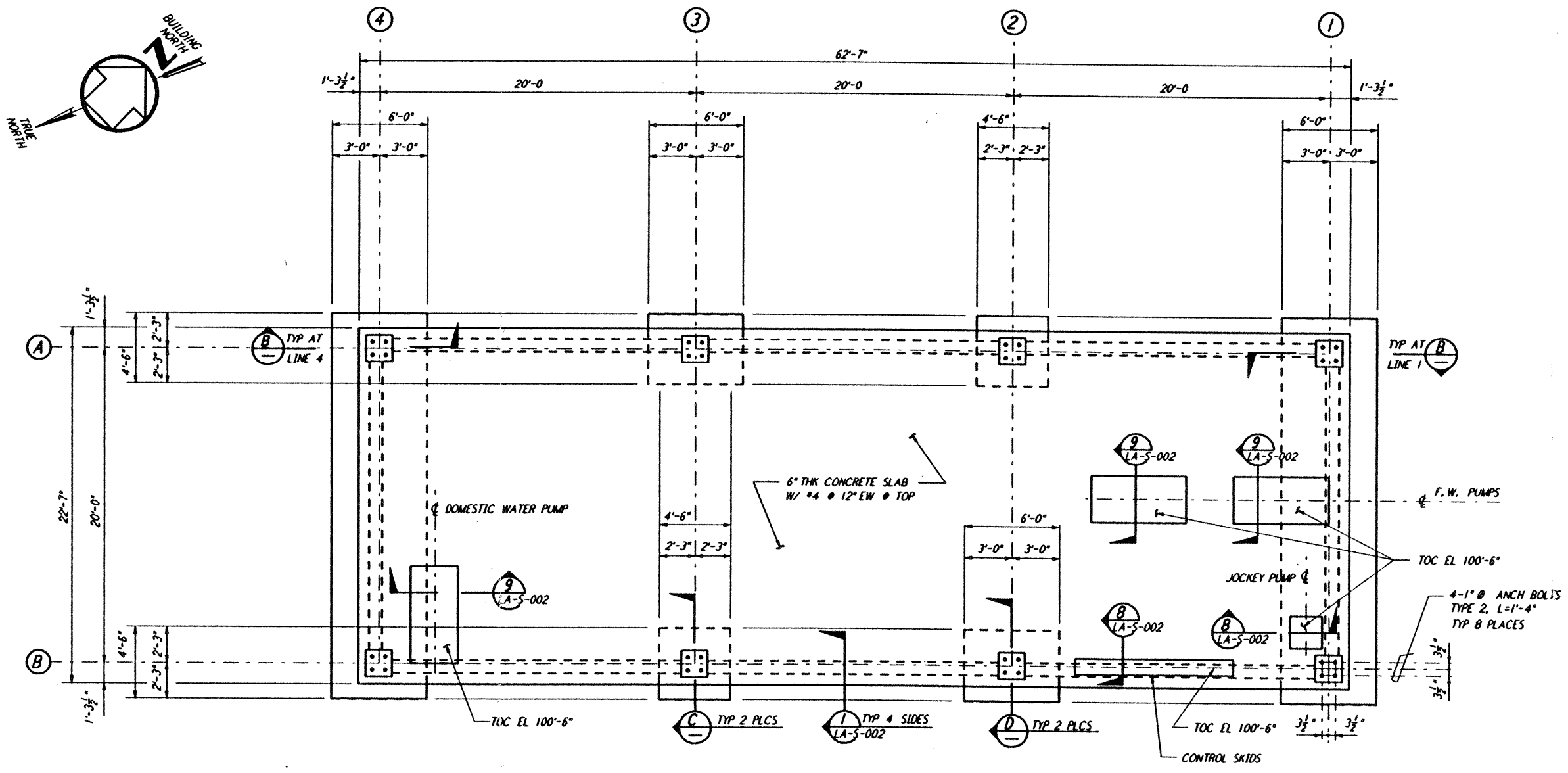


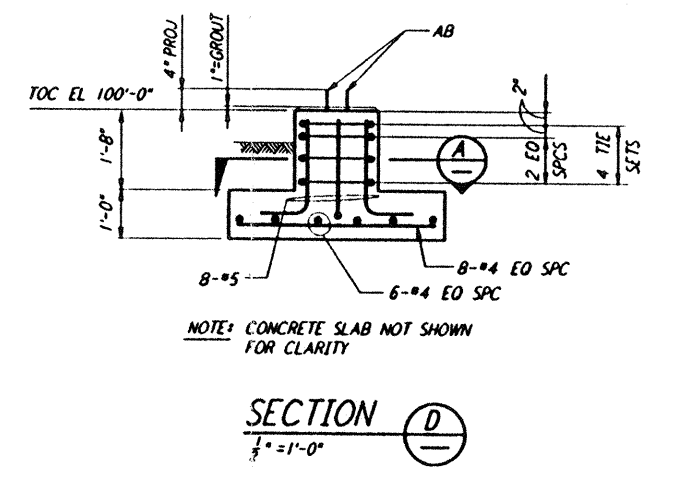
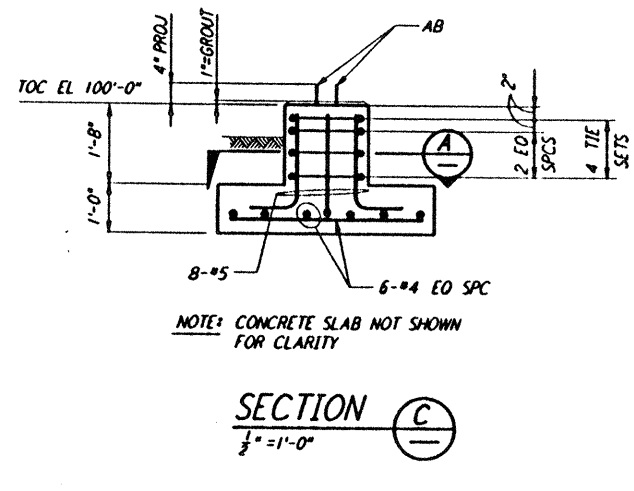
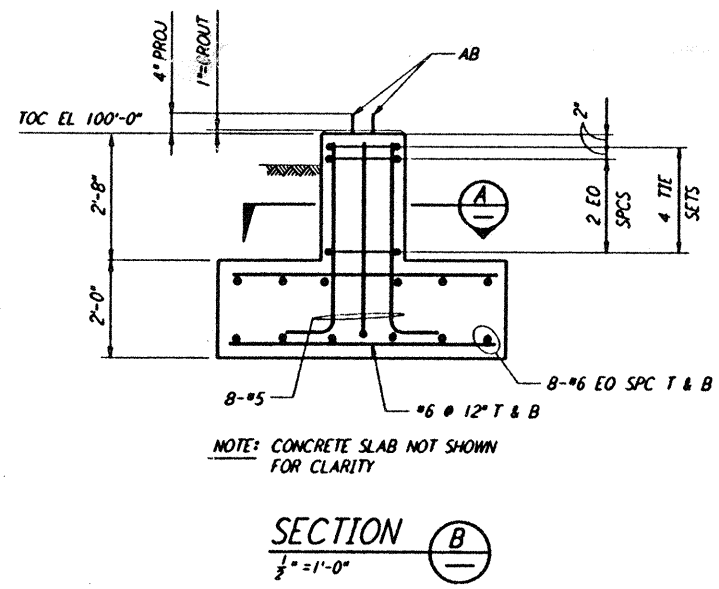
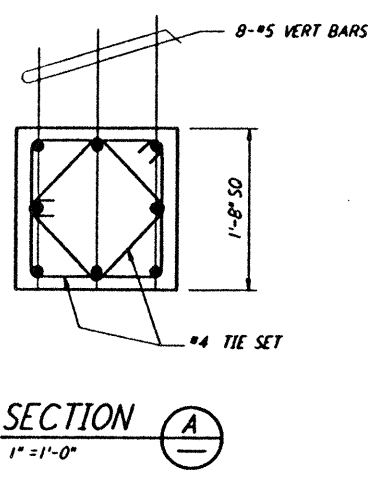
Mon Jul 22 18:09:57 1996 S3-V18B2 J:\PLOTS\QUEUES\18B2\ST124.PRF



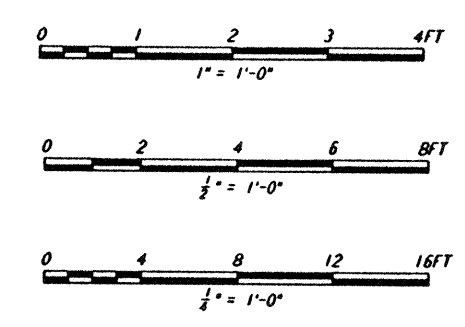
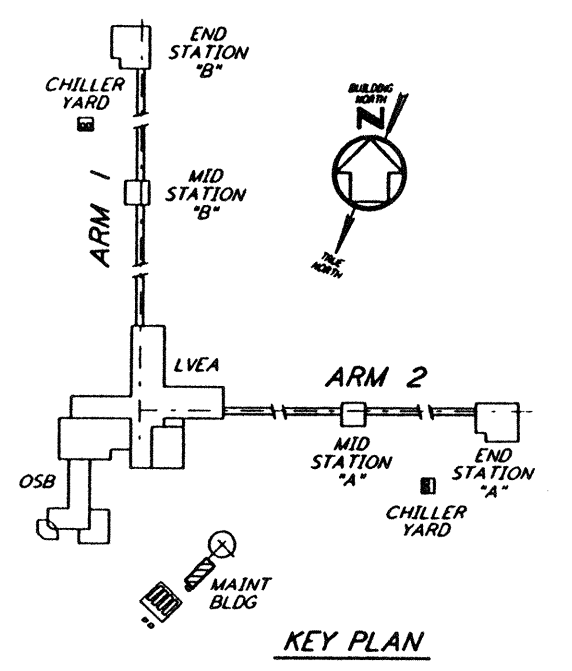
FOR FLOOR SLOPES AND FLOOR DRAINS
 SEE ARCHITECTURAL DWGS

DATUM POINT EL 100'-0" = EL 63.12'

FOUNDATION PLAN
 $\frac{1}{2}'' = 1'-0''$



- NOTES:**
- FOR STRUCTURAL GENERAL NOTES, ABBREVIATIONS AND LEGEND SEE DWG. LA-5-001.
 - CONTRACTOR TO ADJUST LOCATION AND SIZE OF EQUIPMENT PADS TO SUIT VENDOR EQUIPMENT.
 - ALL VERTICAL SURFACES OF FOUNDATION SHALL BE FORMED.



NO.	DATE	BY	CHKD	ENGR	PROJ	DESCRIPTION
B	7-24-96	MCS	DMH	BT	DDM	ISSUED FOR BID
A	6-14-96	MCS	DDM	EP	TEM	FINAL DESIGN REVIEW

DRAWN	PK
CHECKED	
ENGINEER	
PROJ	

PARSONS

100 WEST WALNUT STREET
 PASADENA, CALIFORNIA

LIGO

CALIFORNIA INSTITUTE OF TECHNOLOGY
 MASSACHUSETTS INSTITUTE OF TECHNOLOGY

LASER INTERFEROMETER
 GRAVITATIONAL-WAVE OBSERVATORY
 SITE NO. 2 - LIVINGSTON, LOUISIANA

STRUCTURAL
 MAINTENANCE BUILDING
 FDN PLAN & SECTIONS

AS NOTED PP150969 8094

LA-S-124

LIGO-D960940-B-O