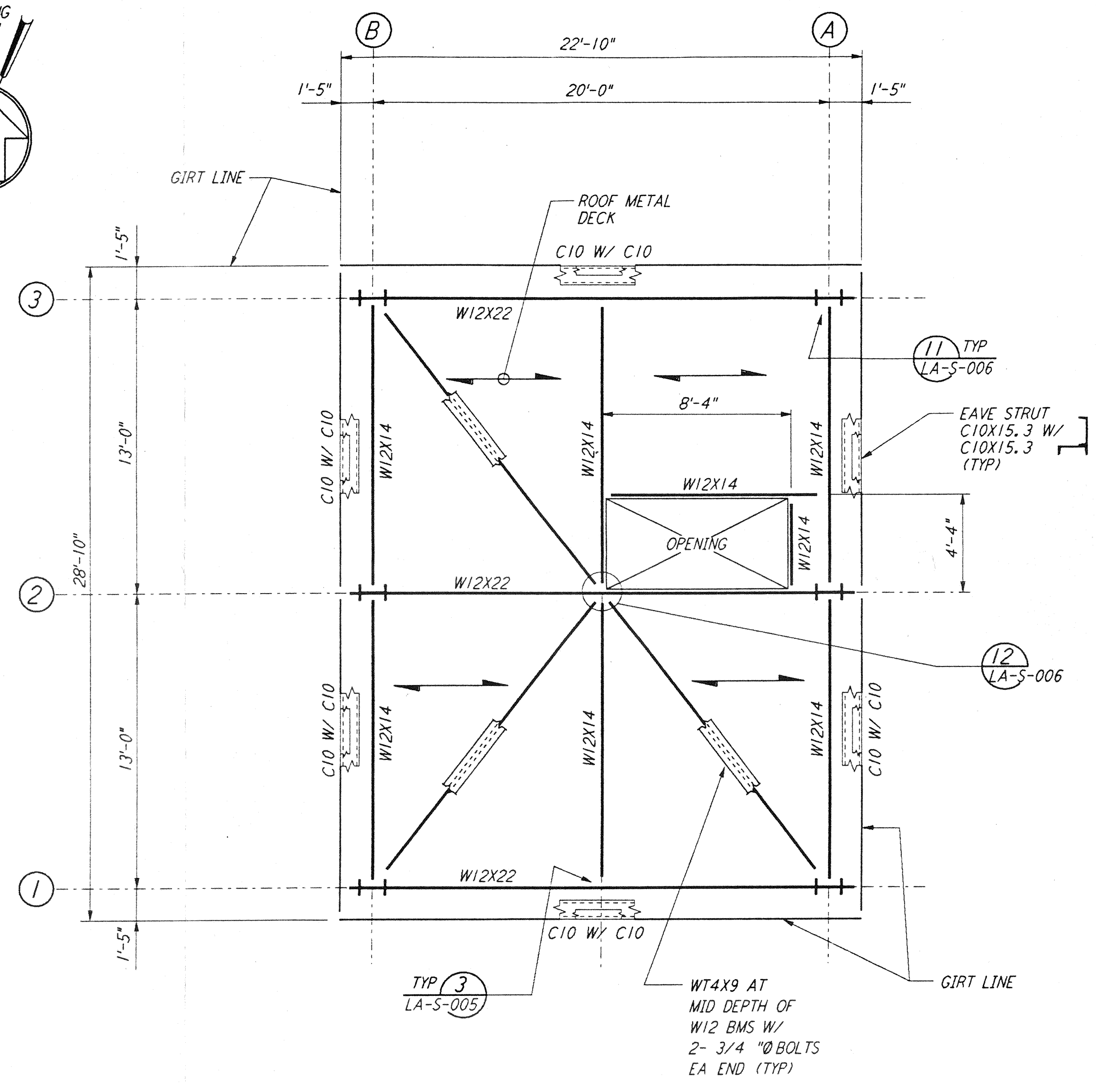
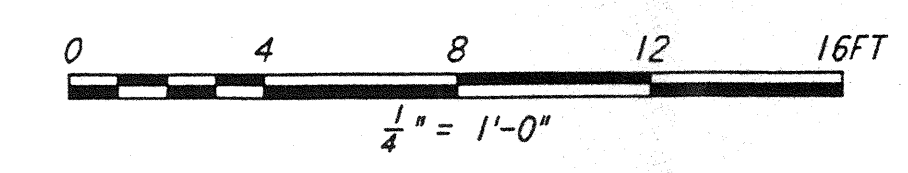
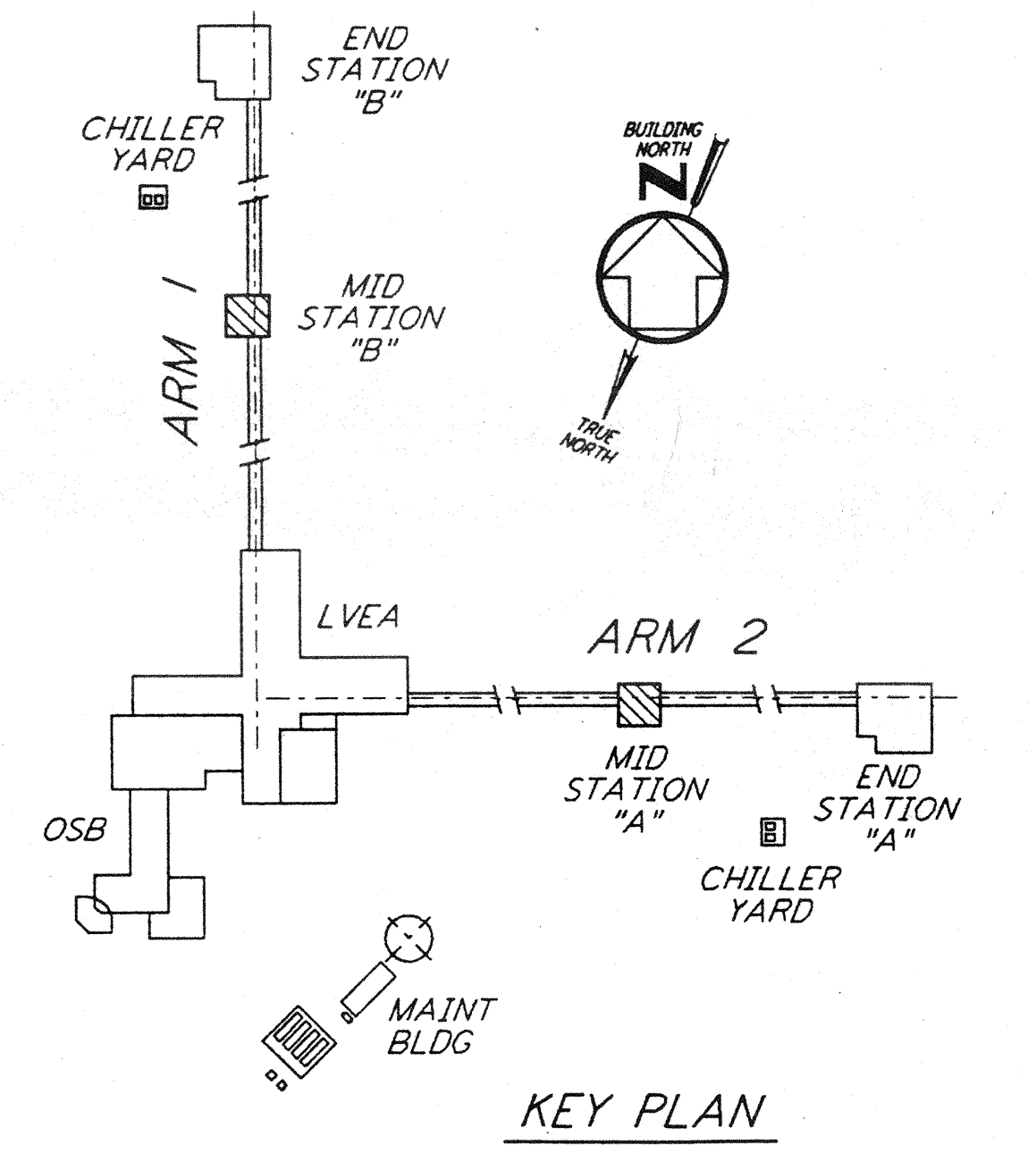


**ARM 2**  
**MID STATION "A" - ROOF FRAMING PLAN**  
 $\frac{1}{4}" = 1'-0"$



**ARM 1**  
**MID STATION "B" - ROOF FRAMING PLAN**  
 $\frac{1}{4}" = 1'-0"$

- NOTES:**
- FOR GENERAL NOTES, ABBREVIATIONS AND SYMBOLS, SEE DRAWING LA-S-001.
  - FOR EAVE STRUT CONNECTION DETAILS, SEE DRAWING LA-S-005.

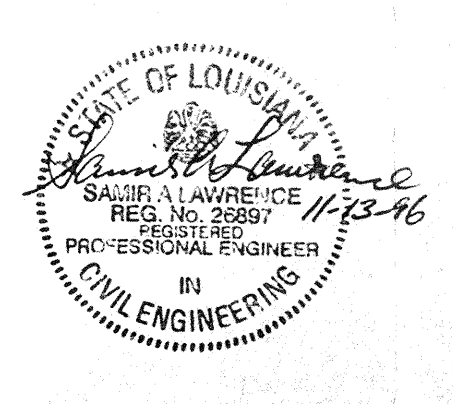


not be reproduced, copied, loaned, exhibited, or used in any other way, except by written consent from PARSONS, to the borrower.

This document and the design it covers are the property of PARSONS. They are loaned only with the borrower's expressed written agreement that they will

NO.	DATE	BY	CHKD	ENGR	PROJ	DESCRIPTION

ISSUED FOR CONSTRUCTION		
DRAWN	MCS	11-15-96
CHECKED	EBM	11-15-96
ENGINEER	BP	11-15-96
PROJ	202	11/15/96



**PARSONS**  
 100 WEST WALNUT STREET  
 PASADENA, CALIFORNIA

**LIGO**  
 CALIFORNIA INSTITUTE OF TECHNOLOGY  
 MASSACHUSETTS INSTITUTE OF TECHNOLOGY

LASER INTERFEROMETER  
 GRAVITATIONAL-WAVE OBSERVATORY  
 SITE NO. 2 - LIVINGSTON, LOUISIANA

TITLE	SCALE	CONTRACT NUMBER	PROJECT NUMBER
STRUCTURAL MID STATIONS "A" & "B" ROOF FRAMING PLANS	AS NOTED	PP150969	8094
SHEET NUMBER		REVISIONS	
LA-S-202			