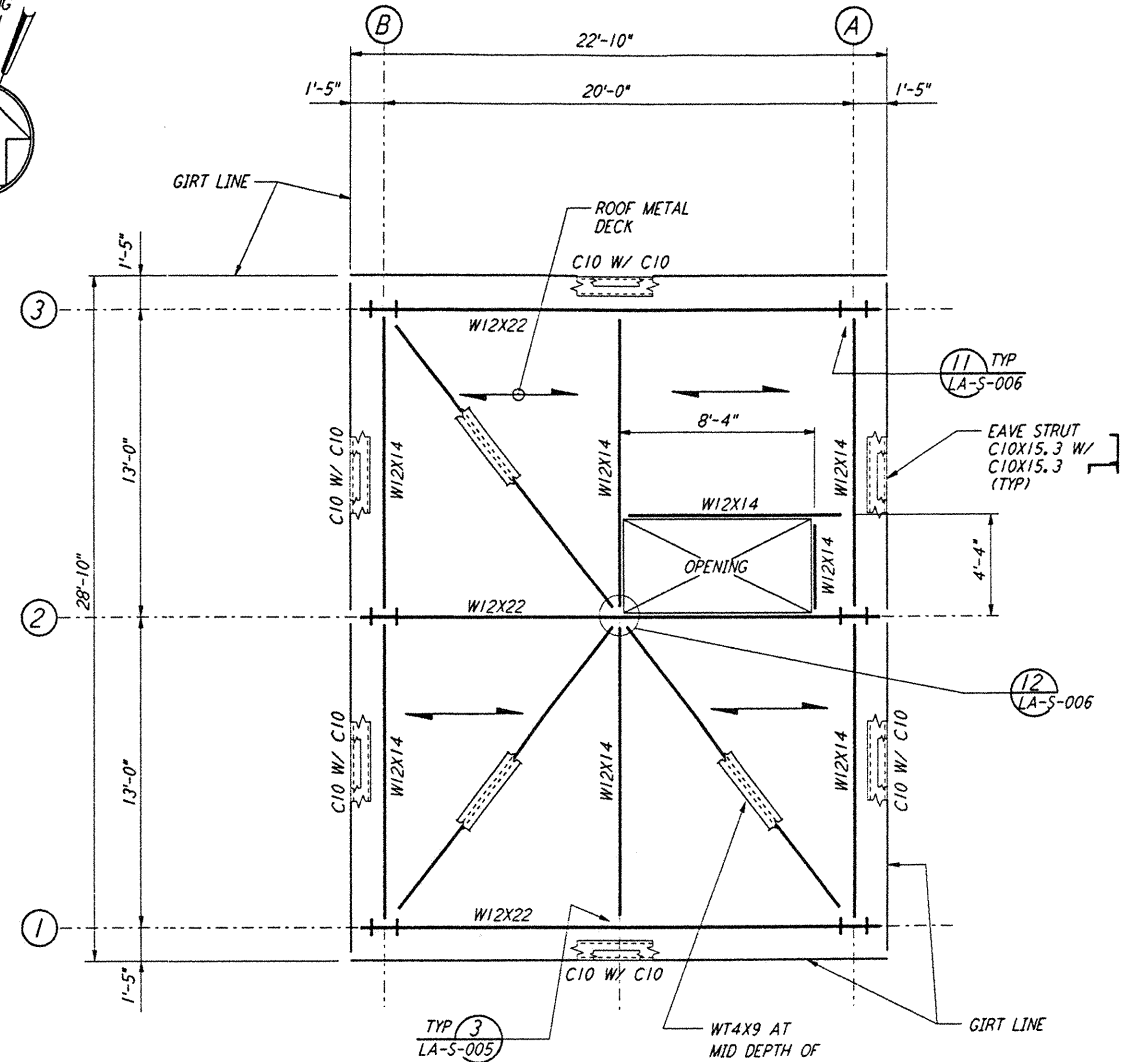
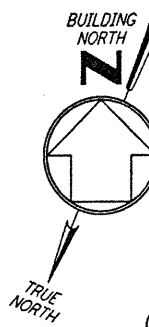
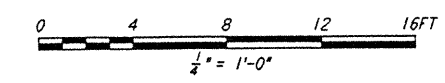
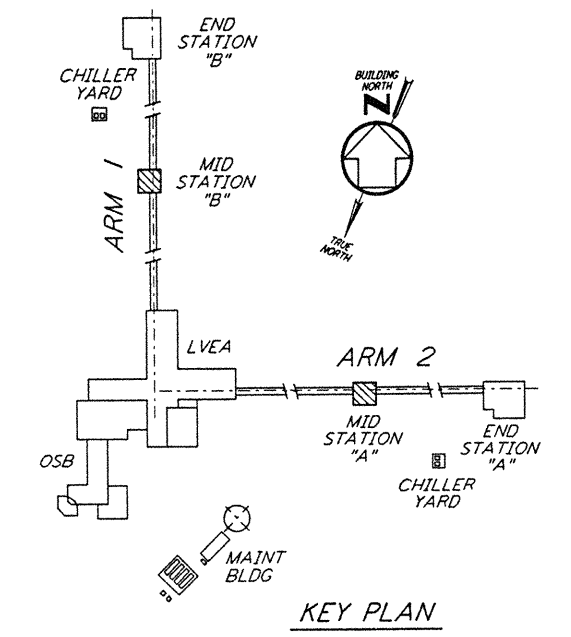


ARM 2
MID STATION "A" - ROOF FRAMING PLAN
 1/4" = 1'-0"



ARM 1
MID STATION "B" - ROOF FRAMING PLAN
 1/4" = 1'-0"

- NOTES:**
1. FOR GENERAL NOTES, ABBREVIATIONS AND SYMBOLS, SEE DRAWING LA-S-001.
 2. FOR EAVE STRUT CONNECTION DETAILS, SEE DRAWING LA-S-005.

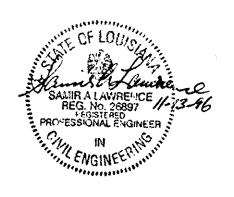


This document and the design it covers are the property of PARSONS. They are loaned only with the borrower's expressed written agreement that they will not be reproduced, copied, loaned, exhibited, or used in any other way, except by written consent from PARSONS to the borrower.

This document and the design it covers are the property of PARSONS. They are loaned only with the borrower's expressed written agreement that they will not be reproduced, copied, loaned, exhibited, or used in any other way, except by written consent from PARSONS to the borrower.

DRAWING NO.	DESCRIPTION	NO.	DATE	BY	CHKD	ENGR	PROJ	DESCRIPTION

ISSUED FOR CONSTRUCTION	
DRAWN	MCS 11-15-96
CHECKED	BBM 11-15-96
ENGINEER	BT 11-15-96
PROJ	SDM 11/15/96



PARSONS
 100 WEST WALNUT STREET
 PASADENA, CALIFORNIA

LIGO
 CALIFORNIA INSTITUTE OF TECHNOLOGY
 MASSACHUSETTS INSTITUTE OF TECHNOLOGY

LASER INTERFEROMETER
 GRAVITATIONAL-WAVE OBSERVATORY
 SITE NO. 2 - LIVINGSTON, LOUISIANA

TITLE: STRUCTURAL MID STATIONS "A" & "B" ROOF FRAMING PLANS
 SHEET NUMBER: LA-S-202

AS NOTED PPI 50969 8094
 CONTRACT NUMBER: PPI 50969
 PROJECT NUMBER: 8094