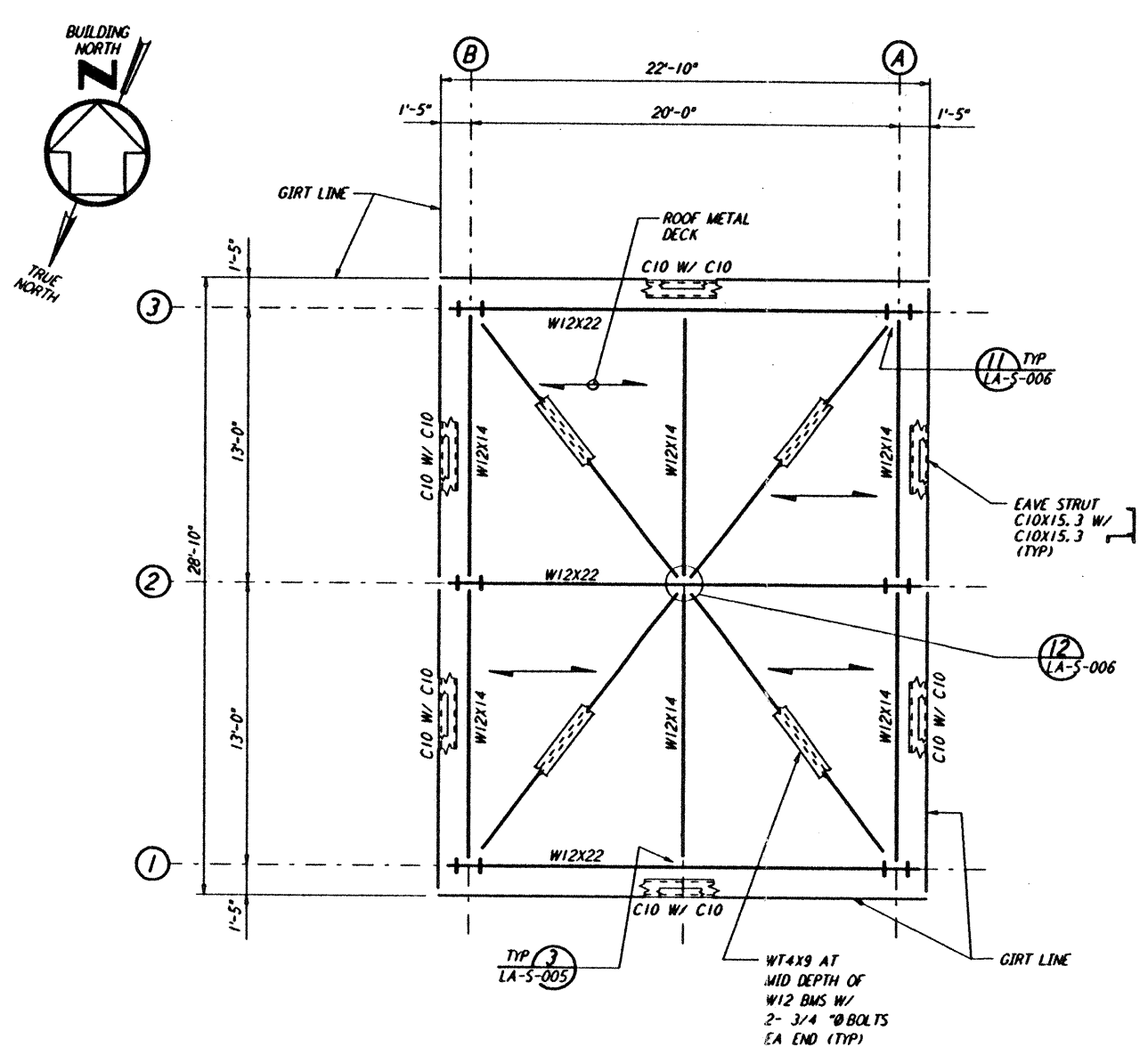
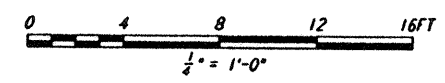
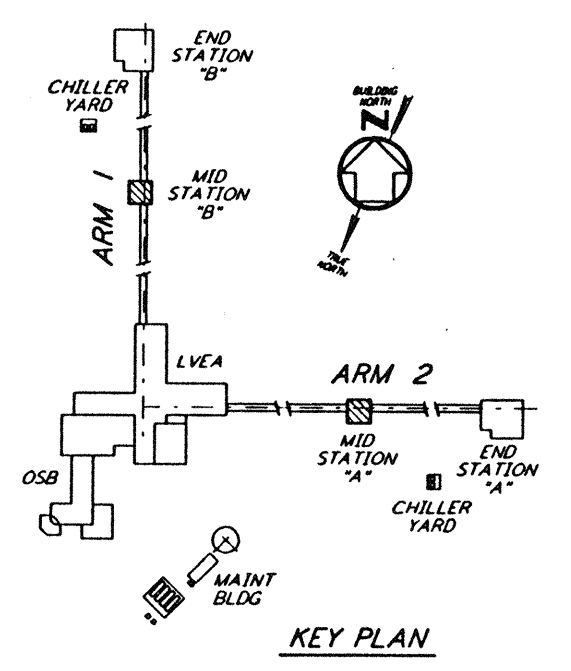


ARM 2
MID STATION "A" - ROOF FRAMING PLAN
 1/4" = 1'-0"



ARM 1
MID STATION "B" - ROOF FRAMING PLAN
 1/4" = 1'-0"

NOTES:
 1. FOR GENERAL NOTES, ABBREVIATIONS AND SYMBOLS, SEE DRAWING LA-S-001.
 2. FOR EAVE STRUT CONNECTION DETAILS, SEE DRAWING LA-S-005.



NO.	DATE	BY	CHK'D	ENGR	PROJ	DESCRIPTION
C	7-24-96	MCS				ISSUED FOR BID
B	6-14-96	MCS				FINAL DESIGN REVIEW
A	10-31-95					PRELIMINARY DESIGN REVIEW

DRAWN	MCS
CHECKED	
ENGINEER	
PROJ	

PARSONS
 100 WEST WALNUT STREET
 PASADENA, CALIFORNIA

LIGO
 CALIFORNIA INSTITUTE OF TECHNOLOGY
 MASSACHUSETTS INSTITUTE OF TECHNOLOGY

LASER INTERFEROMETER
 GRAVITATIONAL-WAVE OBSERVATORY
 SITE NO. 2 - LIVINGSTON, LOUISIANA

TITLE	SCALE	CONTRACT NUMBER	PROJECT NUMBER
STRUCTURAL MID STATIONS "A" & "B" ROOF FRAMING PLANS	AS NOTED	PP150969	8094
DRAWING NO. LA-S-202		PROJECT NUMBER	

Mon Jul 22 18:17:02 1996 S3-V18B2 J:\PLOTS\QUEUES\18B2\ST202.PRF
 This document and the design it covers are the property of PARSONS. They are loaned only with the borrower's expressed written agreement that they will not be reproduced, copied, loaned, exhibited, or used in any other way, except by written consent from PARSONS to the borrower.