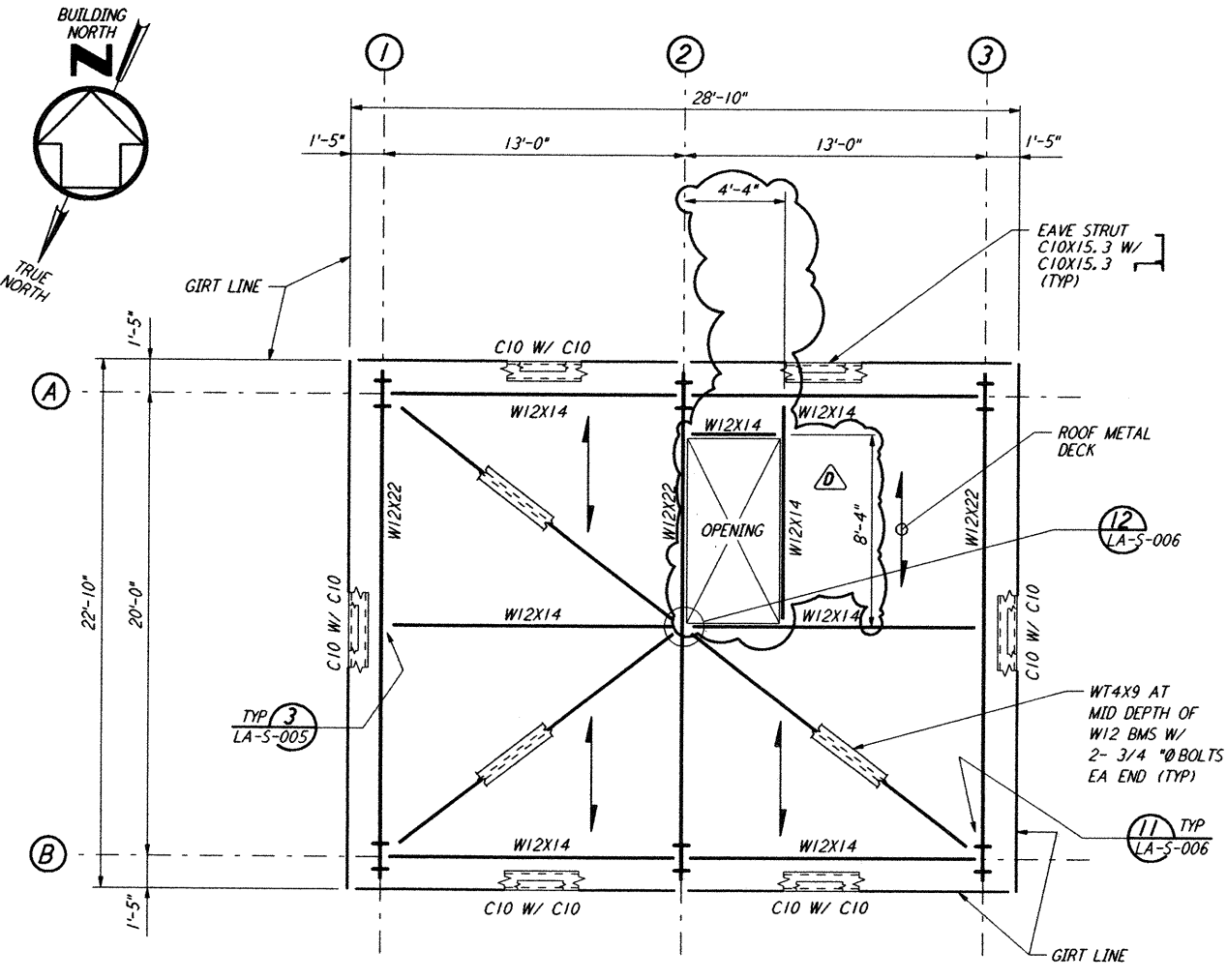
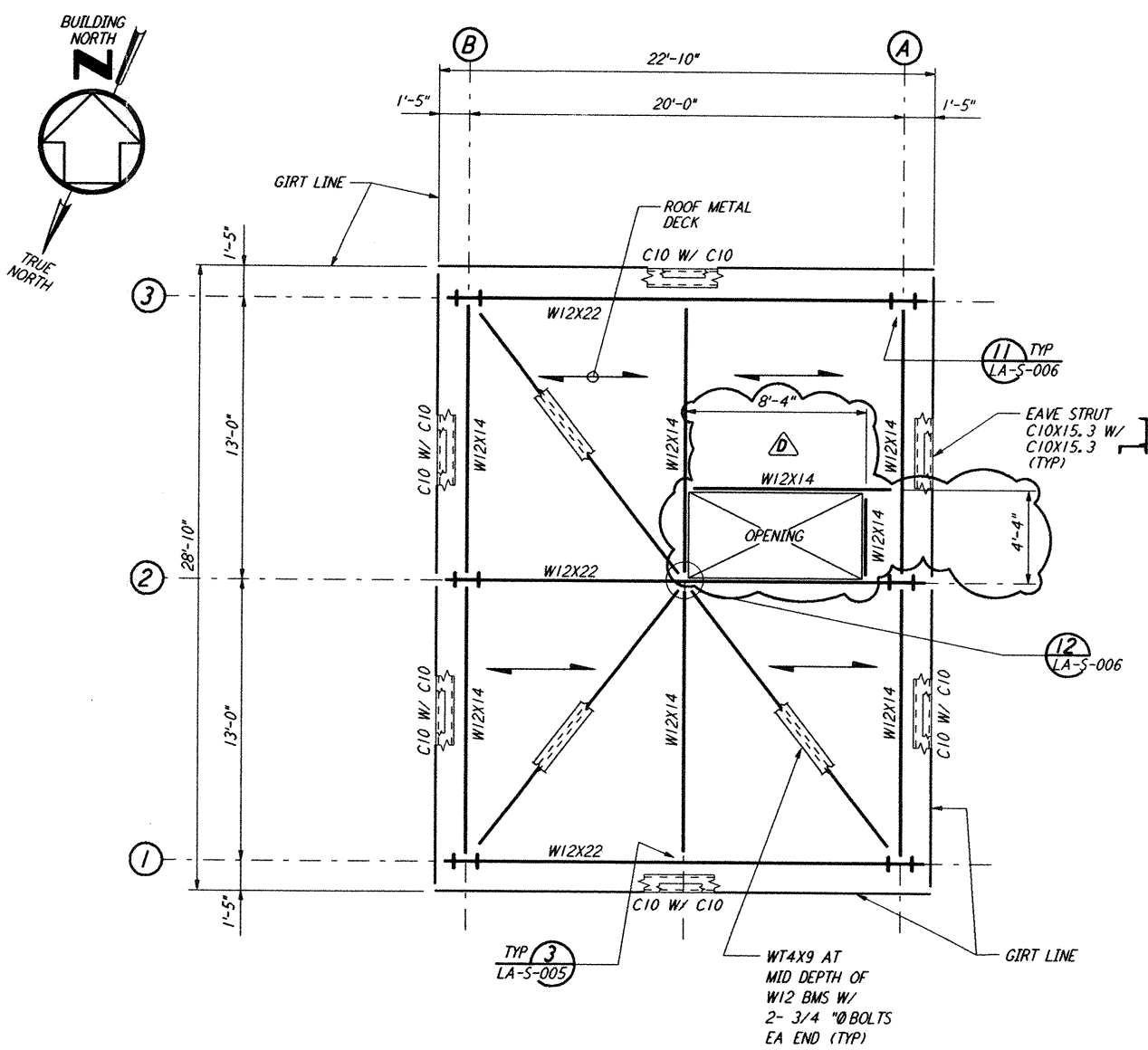


Thu Sep 12 07:12:08 1996 s3-v18b2 J:\PLOTS\QUEUES\18B2\ST202.PRF



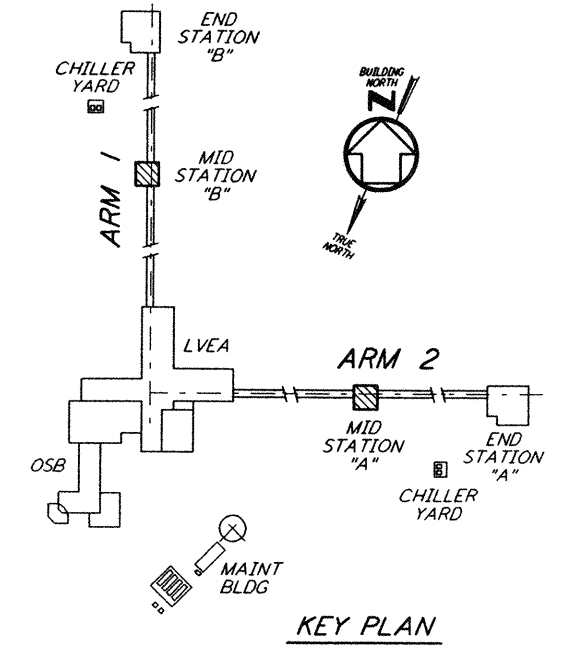
ARM 2
MID STATION "A" - ROOF FRAMING PLAN
 $\frac{1}{4}'' = 1'-0''$



ARM 1
MID STATION "B" - ROOF FRAMING PLAN
 $\frac{1}{4}'' = 1'-0''$

- NOTES:**
1. FOR GENERAL NOTES, ABBREVIATIONS AND SYMBOLS, SEE DRAWING LA-S-001.
 2. FOR EAVE STRUT CONNECTION DETAILS, SEE DRAWING LA-S-005.

This document and the design it covers are the property of PARSONS. They are loaned only with the borrower's expressed written agreement that they will not be reproduced, copied, loaned, exhibited, or used in any other way, except by written consent from PARSONS to the borrower.



NO.	DATE	BY	CHKD	ENGR	PROJ	DESCRIPTION
D	9-10-96	MCS	DDM	BP	TDM	BID ADDENDUM #2
C	7-24-96	MCS	DDM	BP	TDM	ISSUED FOR BID
B	6-14-96	MCS	DDM	BP	TDM	FINAL DESIGN REVIEW
A	10-31-95	MCS	DDM	BP	TDM	PRELIMINARY DESIGN REVIEW

DRAWN	MCS
CHECKED	
ENGINEER	
PROJ	

PARSONS
 100 WEST WALNUT STREET
 PASADENA, CALIFORNIA

LIGO
 CALIFORNIA INSTITUTE OF TECHNOLOGY
 MASSACHUSETTS INSTITUTE OF TECHNOLOGY

LASER INTERFEROMETER
 GRAVITATIONAL-WAVE OBSERVATORY
 SITE NO. 2 - LIVINGSTON, LOUISIANA

TITLE: STRUCTURAL MID STATIONS "A" & "B" ROOF FRAMING PLANS
 SCALE: AS NOTED
 CONTRACT NUMBER: PPI50969
 PROJECT NUMBER: 8094
 SHEET NUMBER: LA-S-202