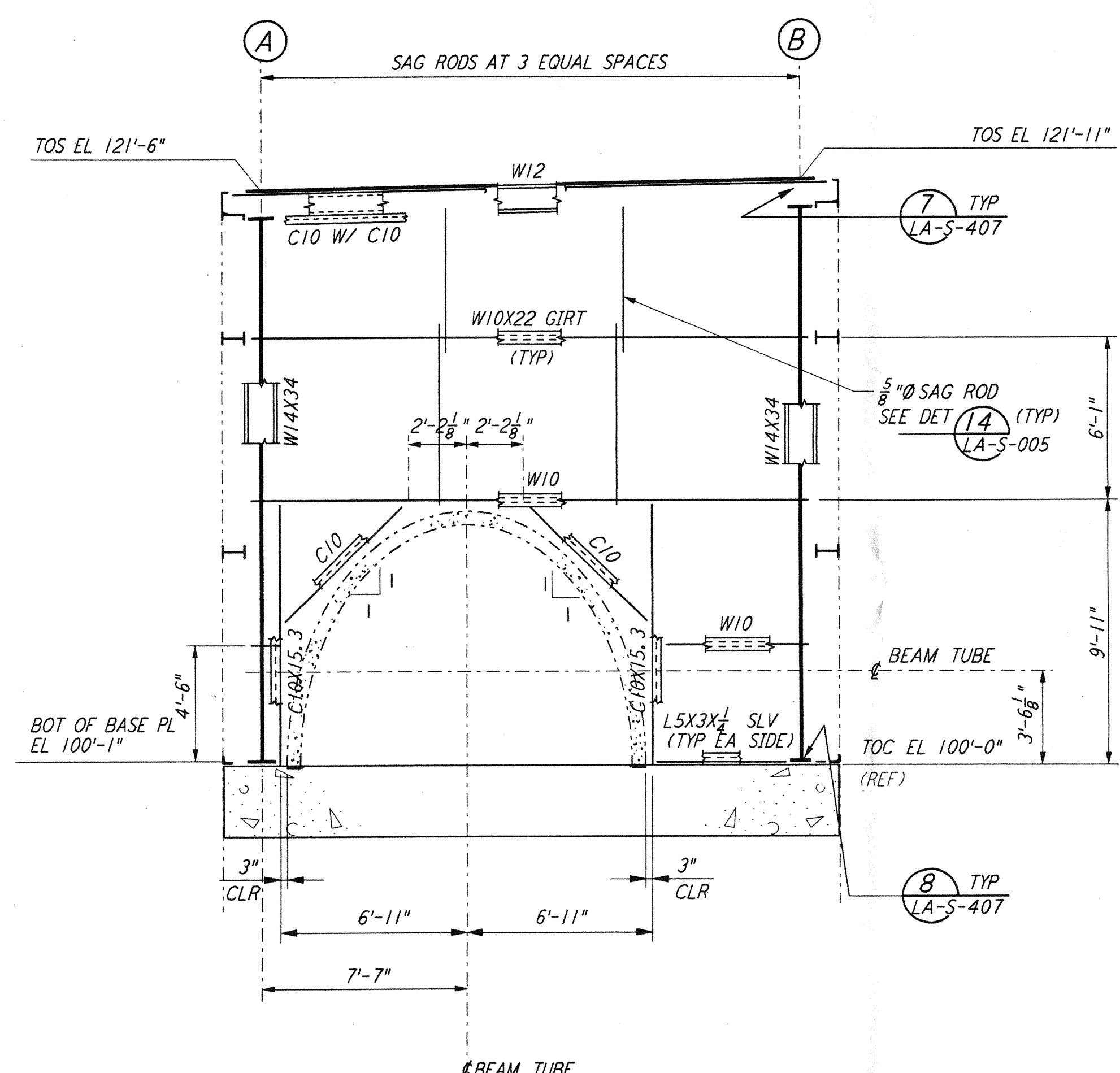
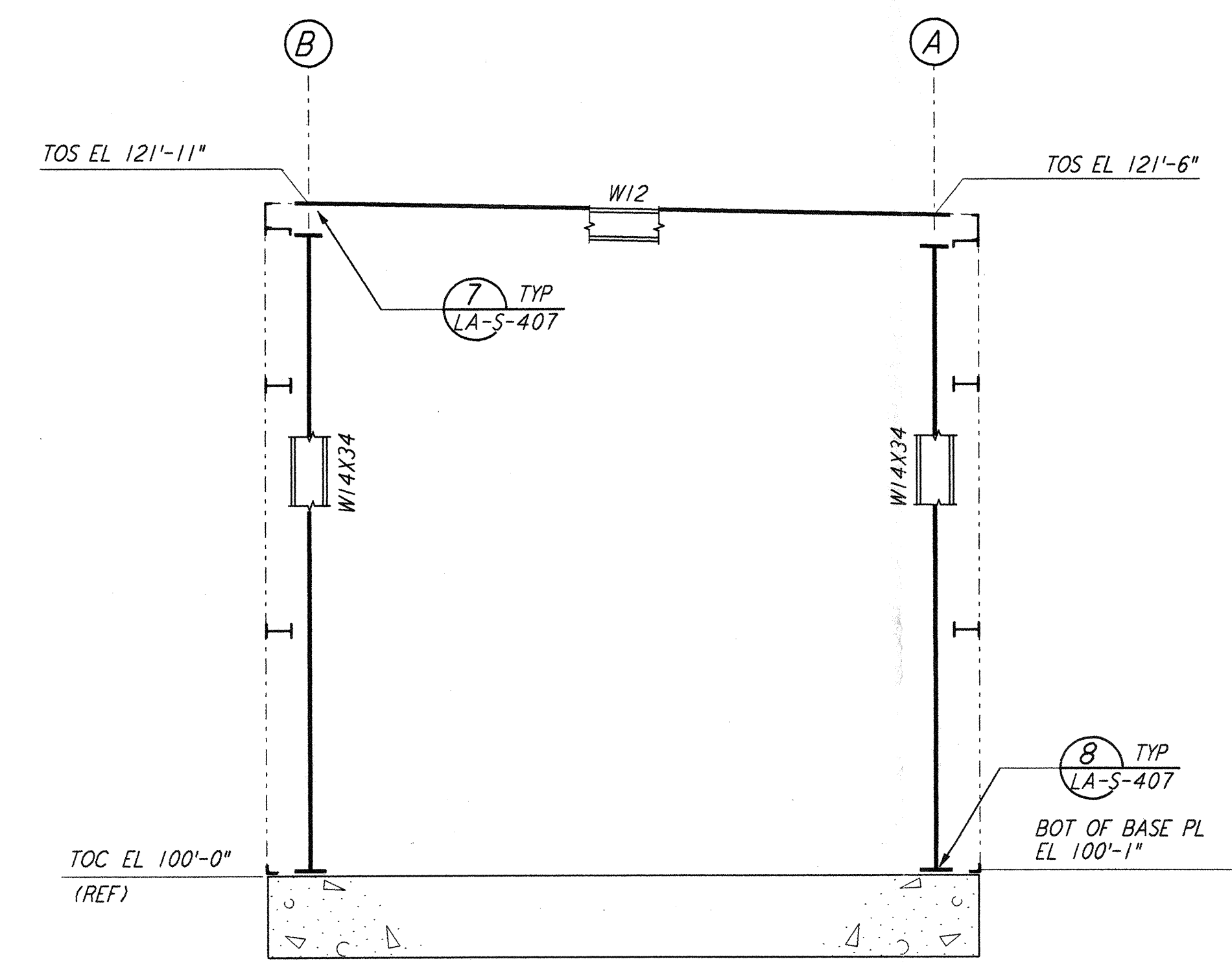


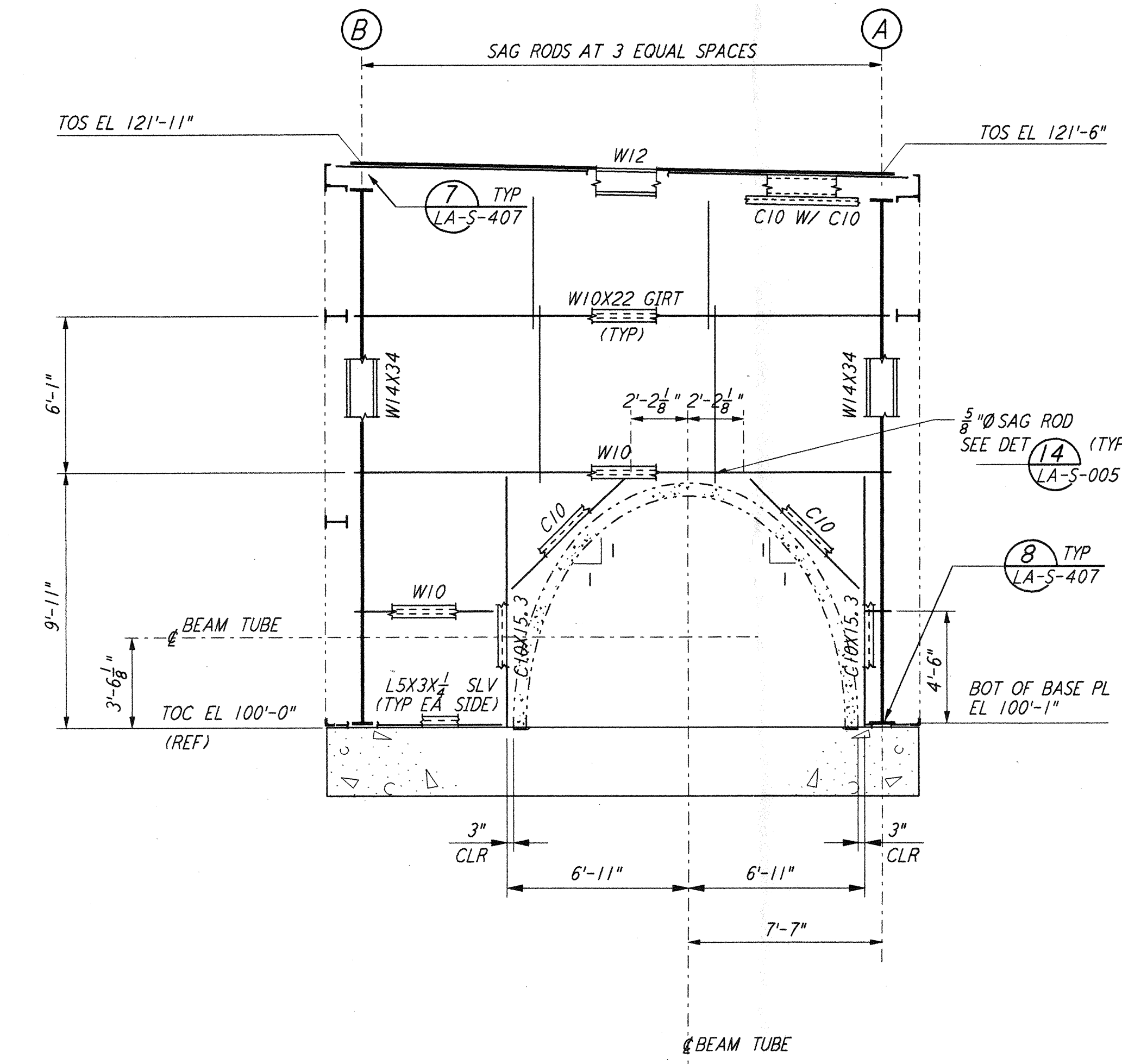
This document and the design it covers are the property of PARSONS. They are loaned only with the borrower's expressed written agreement that they will not be reproduced, copied, loaned, exhibited, or used in any other way, except by written consent from PARSONS to the borrower.



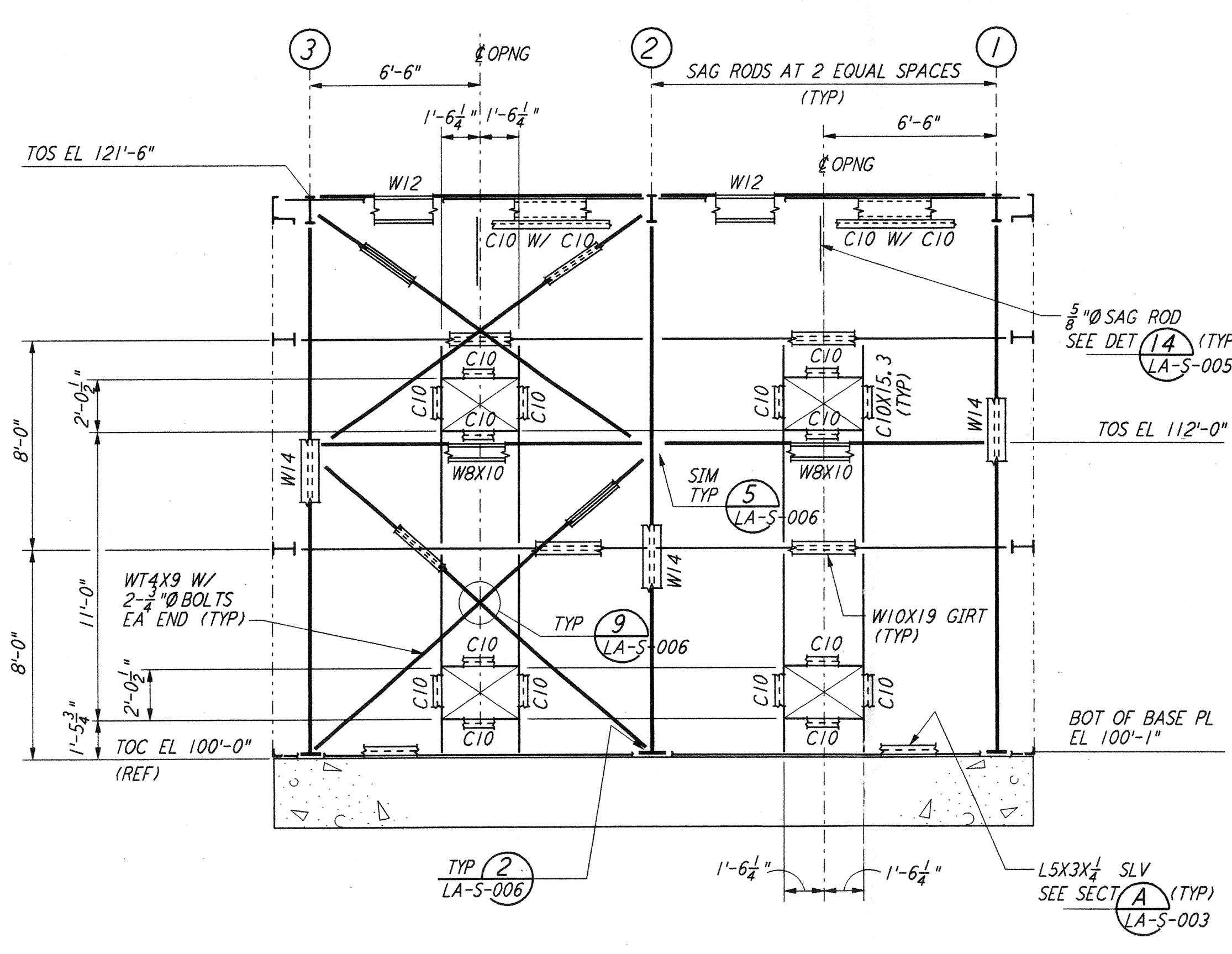
LOOKING EAST - FOR MID STATION "A" ON ARM 2  
 LOOKING SOUTH - FOR MID STATION "B" ON ARM 1  
 ELEVATION AT COLUMN LINE 1  
 $\frac{1}{4}'' = 1'-0''$



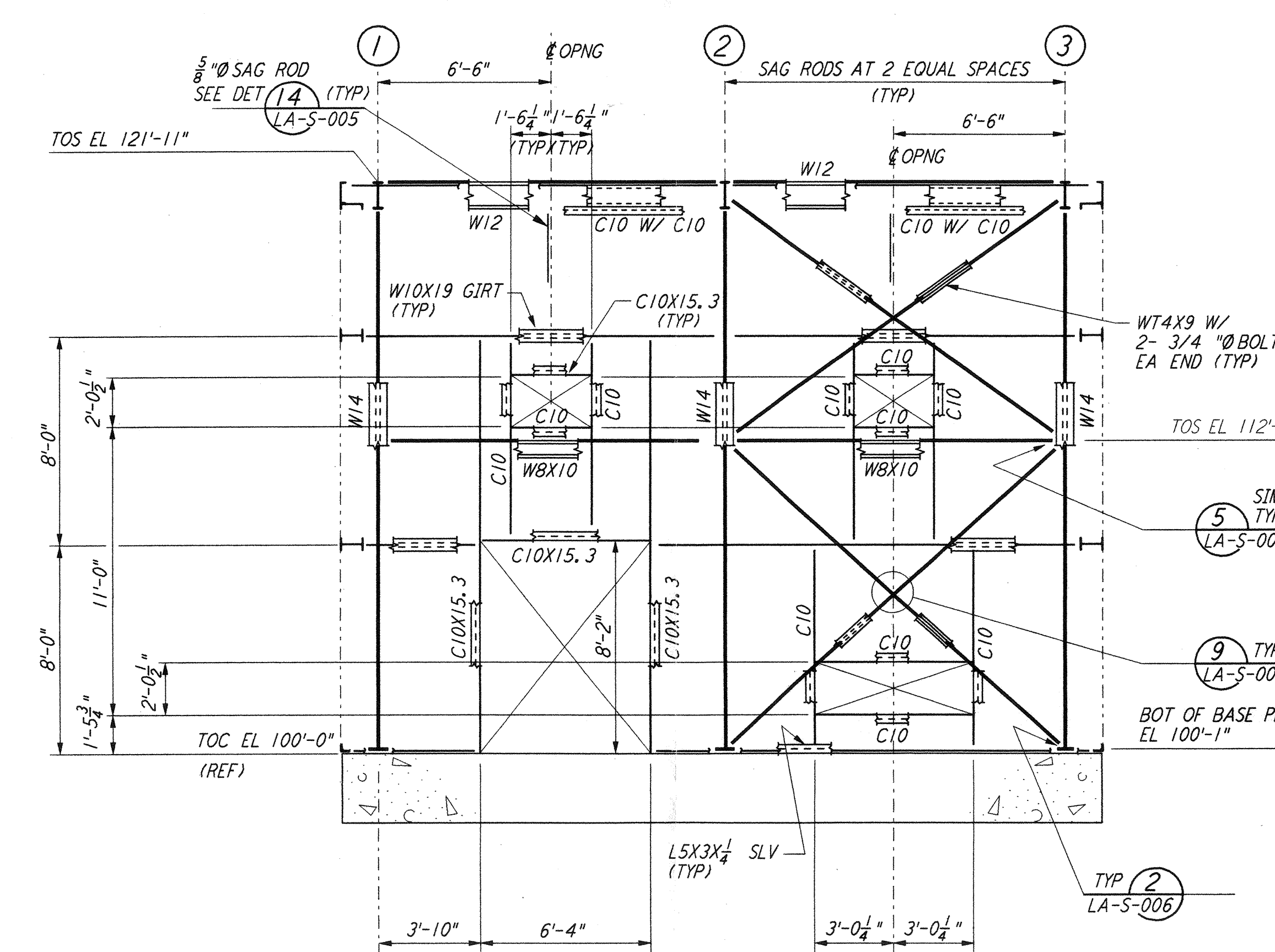
LOOKING WEST - FOR MID STATION "A" ON ARM 2  
 LOOKING NORTH - FOR MID STATION "B" ON ARM 1  
 ELEVATION AT COLUMN LINE 2  
 $\frac{1}{4}'' = 1'-0''$



LOOKING WEST - FOR MID STATION "A" ON ARM 2  
 LOOKING NORTH - FOR MID STATION "B" ON ARM 1  
 ELEVATION AT COLUMN LINE 3  
 $\frac{1}{4}'' = 1'-0''$

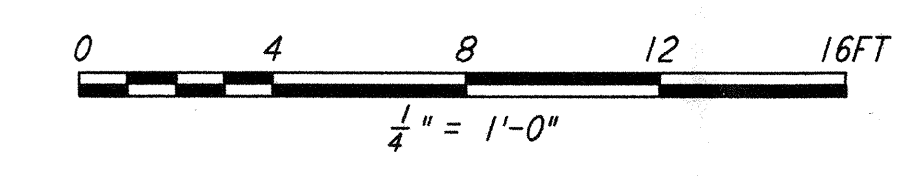


LOOKING SOUTH - FOR MID STATION "A" ON ARM 2  
 LOOKING EAST - FOR MID STATION "B" ON ARM 1  
 ELEVATION AT COLUMN LINE A  
 $\frac{1}{4}'' = 1'-0''$



LOOKING NORTH - FOR MID STATION "A" ON ARM 2  
 LOOKING WEST - FOR MID STATION "B" ON ARM 1  
 ELEVATION AT COLUMN LINE B  
 $\frac{1}{4}'' = 1'-0''$

- NOTES:**
- FOR GENERAL NOTES, ABBREVIATIONS AND SYMBOLS, SEE DRAWING LA-S-001.
  - FOR CHANNEL, GIRT AND EAVE STRUT CONNECTION DETAILS, SEE DRAWING LA-S-005.
  - FOR BASE ANGLE (LSX3) CONNECTION, SEE SECTION A LA-S-003.



NO.	DATE	BY	CHKD	ENGR	PROJ	DESCRIPTION
2	08-07-98	WA	BP	BP		ISSUED FOR AS-BUILT
1	2-28-97	RM	AB	BP		REV ELEV AT LN 1, 2, 3, A & B

ISSUED FOR CONSTRUCTION	
DRAWN	MCS 11-15-96
CHECKED	DDM 11-15-96
ENGINEER	BP 11-15-96
PROJ	TDM 11-15-96

**AS-BUILT DRAWINGS**

**PARSONS**

100 WEST WALNUT STREET  
PASADENA, CALIFORNIA

**LIGO**

CALIFORNIA INSTITUTE OF TECHNOLOGY  
MASSACHUSETTS INSTITUTE OF TECHNOLOGY

LIGO-D960944-02-0

LASER INTERFEROMETER  
GRAVITATIONAL-WAVE OBSERVATORY  
SITE NO. 2 - LIVINGSTON, LOUISIANA

TITLE	AS NOTED	CONTRACT NUMBER	PROJECT NUMBER
STRUCTURAL MID STATIONS "A" & "B" FRAMING ELEVATIONS	PP150969	8094	
SHEET NUMBER		REVISIONS	
LA-S-203			