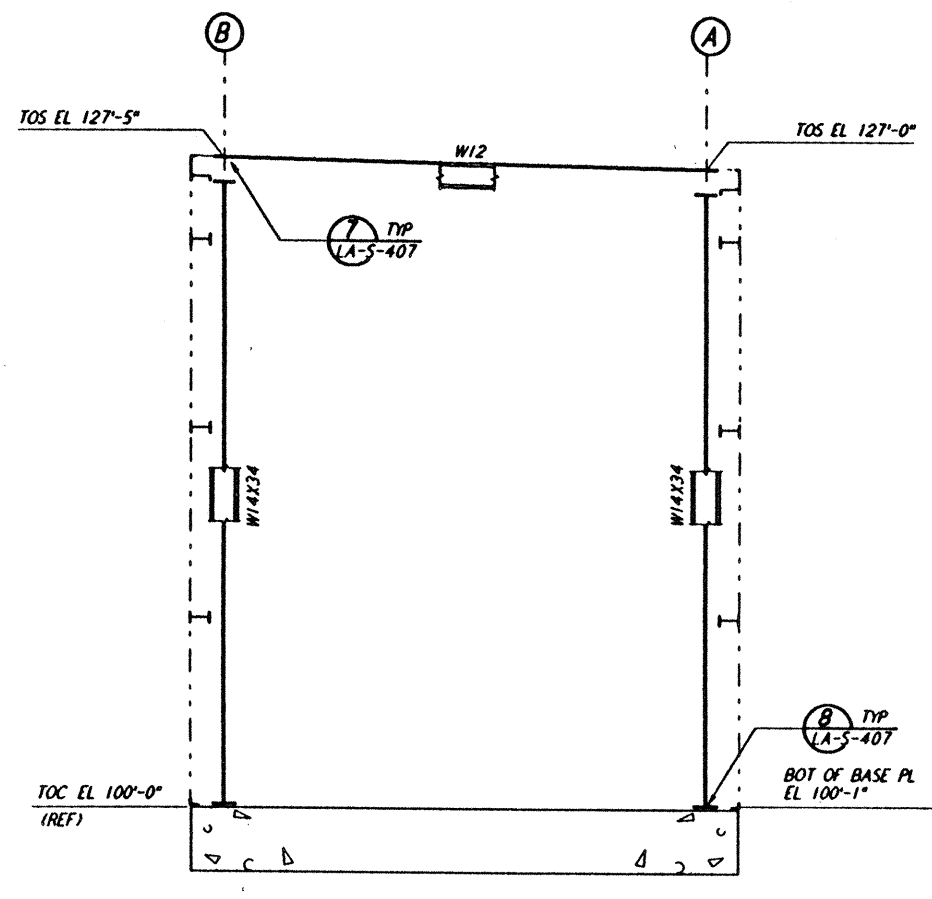
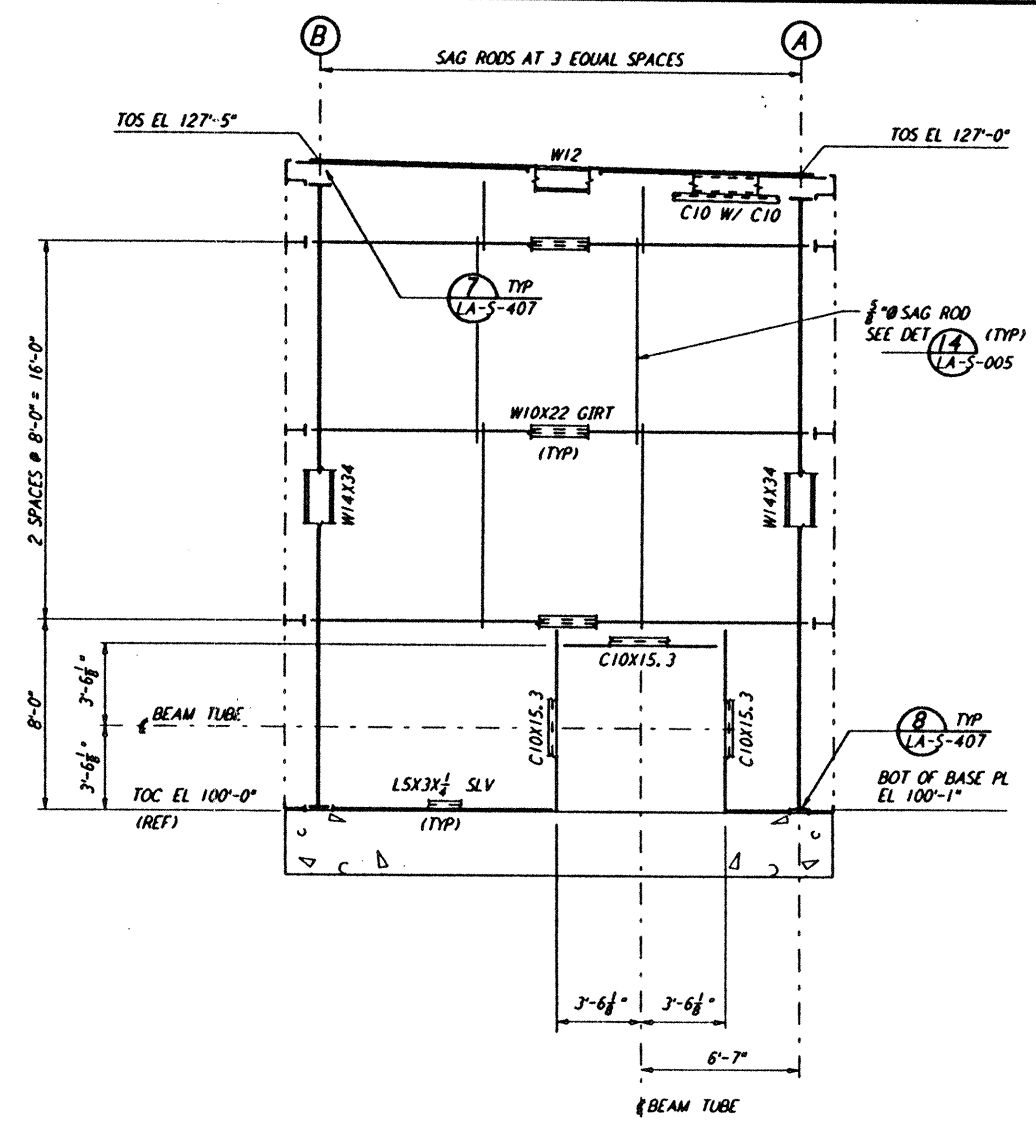


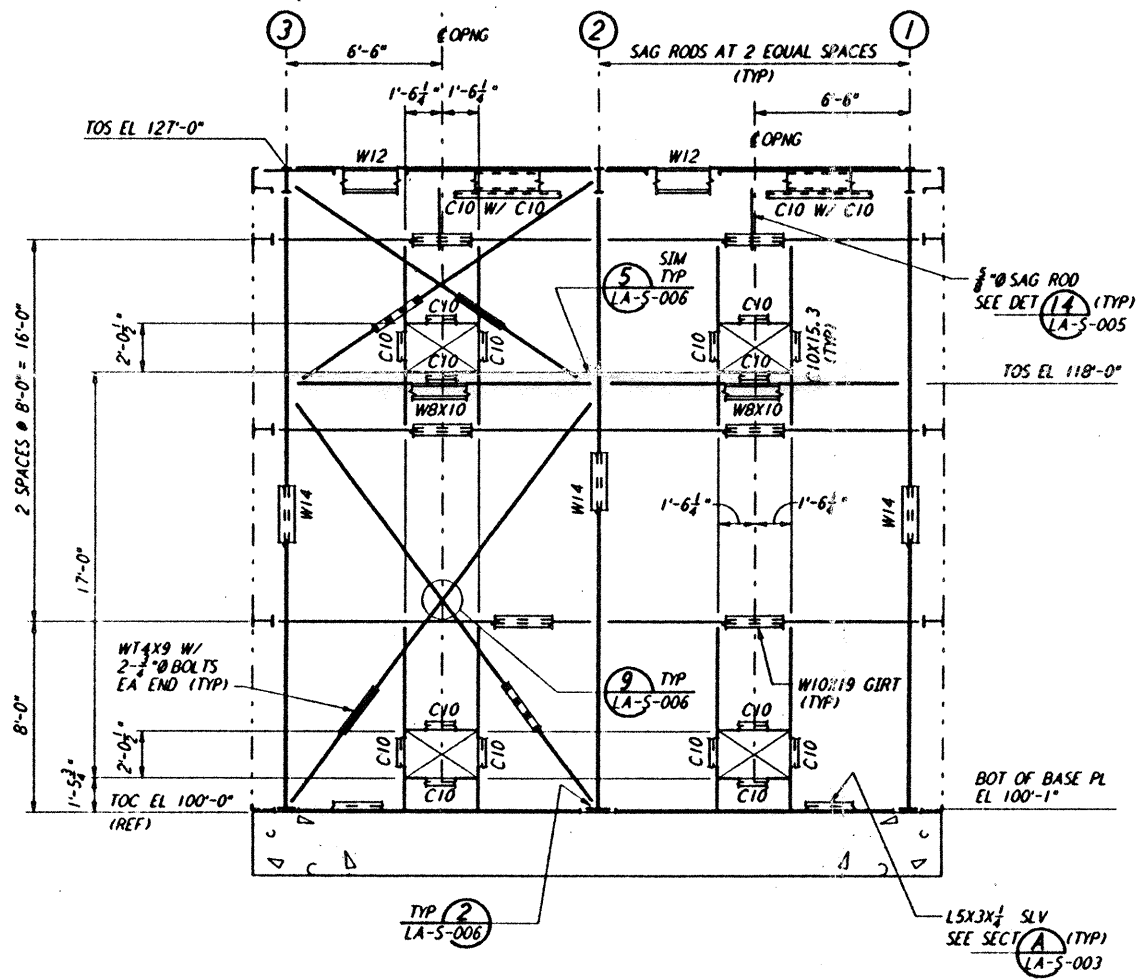
LOOKING EAST - FOR MID STATION "A" ON ARM 2
 LOOKING SOUTH - FOR MID STATION "B" ON ARM 1
 ELEVATION AT COLUMN LINE 1
 1/4" = 1'-0"



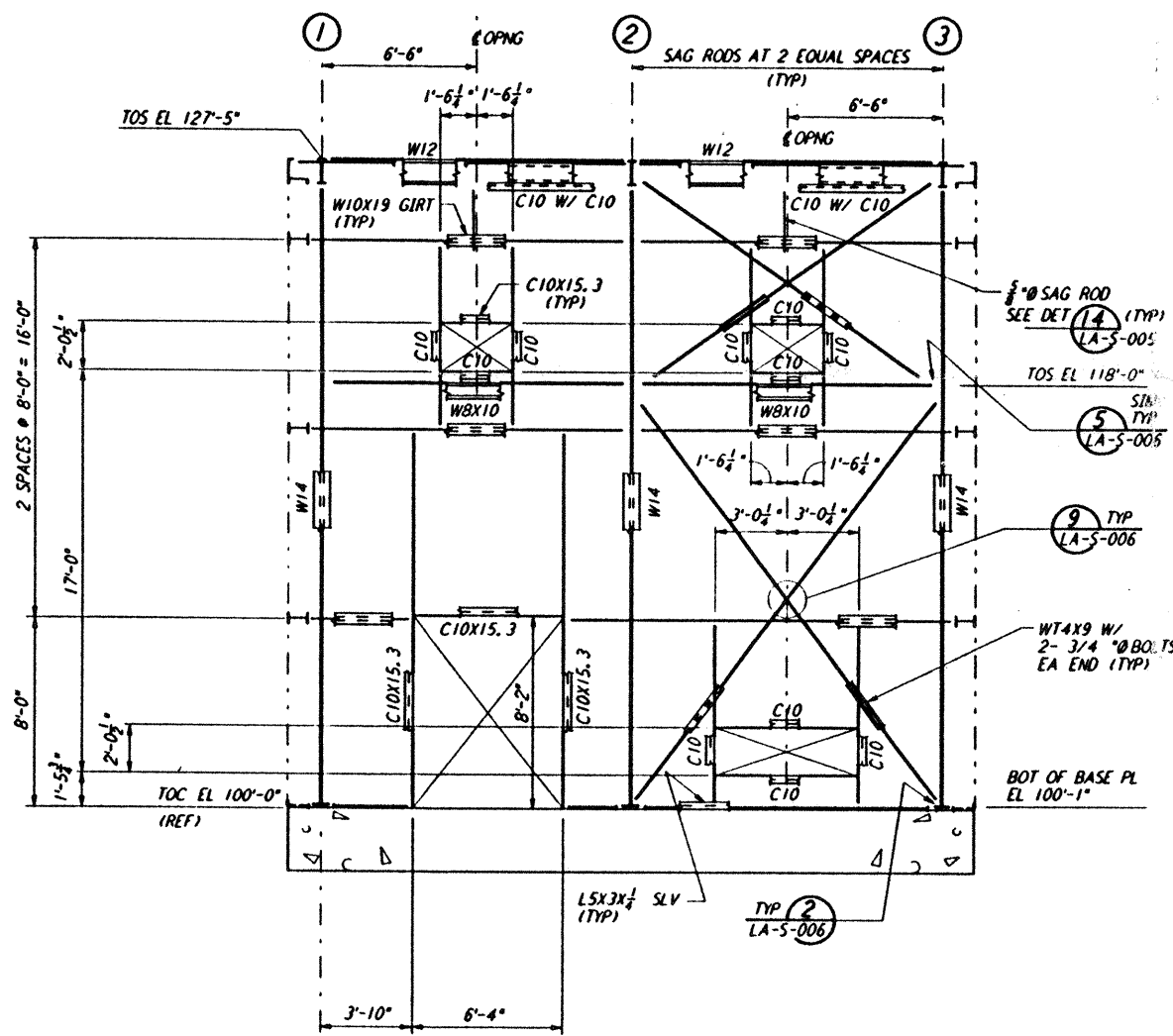
LOOKING WEST - FOR MID STATION "A" ON ARM 2
 LOOKING NORTH - FOR MID STATION "B" ON ARM 1
 ELEVATION AT COLUMN LINE 2
 1/4" = 1'-0"



LOOKING WEST - FOR MID STATION "A" ON ARM 2
 LOOKING NORTH - FOR MID STATION "B" ON ARM 1
 ELEVATION AT COLUMN LINE 3
 1/4" = 1'-0"

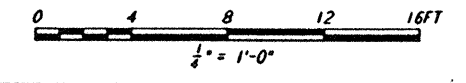


LOOKING SOUTH - FOR MID STATION "A" ON ARM 2
 LOOKING EAST - FOR MID STATION "B" ON ARM 1
 ELEVATION AT COLUMN LINE A
 1/4" = 1'-0"



LOOKING NORTH - FOR MID STATION "A" ON ARM 2
 LOOKING WEST - FOR MID STATION "B" ON ARM 1
 ELEVATION AT COLUMN LINE B
 1/4" = 1'-0"

- NOTES:**
- FOR GENERAL NOTES, ABBREVIATIONS AND SYMBOLS, SEE DRAWING LA-5-001.
 - FOR CHANNEL, GIRT AND EAVE STRUT CONNECTION DETAILS, SEE DRAWING LA-5-005.
 - FOR BASE ANGLE (LSX3) CONNECTION, SEE LA-5-003.



NO.	DATE	BY	CHKD	ENGR	PROJ	DESCRIPTION
B	7-24-96	MCS	BP	ADP		ISSUED FOR BID
A	6-14-96	MCS	BP	TDM		FINAL DESIGN REVIEW

DRAWN	MCS
CHECKED	
ENGINEER	
PROJ	

PARSONS
 100 WEST WALNUT STREET
 PASADENA, CALIFORNIA

LIGO
 CALIFORNIA INSTITUTE OF TECHNOLOGY
 MASSACHUSETTS INSTITUTE OF TECHNOLOGY

LASER INTERFEROMETER
 GRAVITATIONAL-WAVE OBSERVATORY
 SITE NO. 2 - LIVINGSTON, LOUISIANA

STRUCTURAL
 MID STATIONS "A" & "B"
 FRAMING ELEVATIONS

SCALE: AS NOTED
 CONTRACT NUMBER: PP150969
 PROJECT NUMBER: B094
 SHEET NUMBER: LA-S-203

Mon Jul 22 18:19:20 1996 S3-V18B2 J:\PLOTS\QUEUES\V18B2\ST203.PRF
 This document and the design it covers are the property of PARSONS. They are loaned only with the borrower's expressed written agreement that they will not be reproduced, copied, loaned, exhibited, or used in any other way, except by written consent from PARSONS to the borrower.