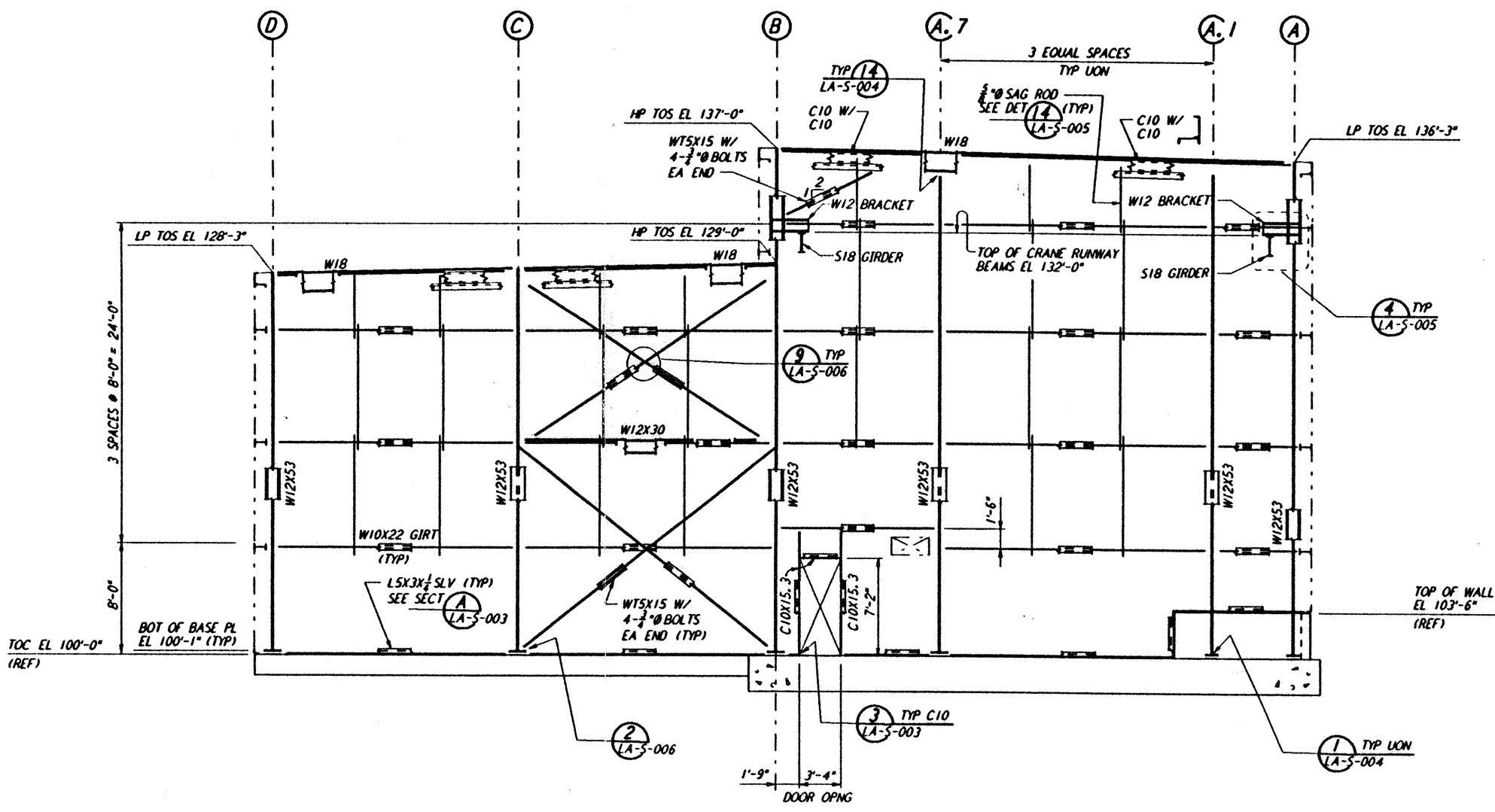
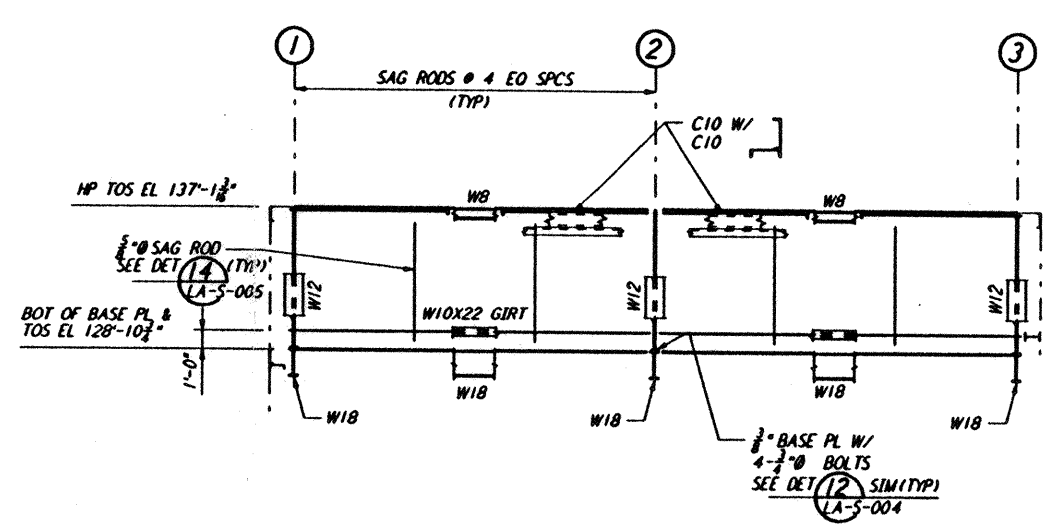


Mon Jul 22 18:36:52 1996 S3-V18B2 J:\PLOTS\QUEUES\18B2\ST307.PRF



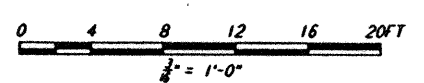
LOOKING NORTH - FOR END STATION "B" ON ARM 1  
 LOOKING WEST - FOR END STATION "A" ON ARM 2  
 ELEVATION AT COLUMN LINE 5  
 1/2" = 1'-0"



LOOKING WEST - FOR END STATION "B" ON ARM 1  
 LOOKING NORTH - FOR END STATION "A" ON ARM 2  
 ELEVATION AT COLUMN LINE B.1  
 1/2" = 1'-0"

This document and the design it covers are the property of PARSONS. They are loaned only with the borrower's expressed written agreement that they will not be reproduced, copied, loaned, exhibited, or used in any other way, except by written consent from PARSONS to the borrower.

NOTE:  
 FOR NOTES SEE DRAWING LA-S-305.



| NO. | DATE     | BY  | CHKD | ENGR | PROJ | DESCRIPTION               |
|-----|----------|-----|------|------|------|---------------------------|
| C   | 7-24-96  | MCS | DDM  | BP   | DDP  | ISSUED FOR BID            |
| B   | 6-14-96  | MCS | DDM  | BP   | DDP  | FINAL DESIGN REVIEW       |
| A   | 10-31-95 |     |      |      |      | PRELIMINARY DESIGN REVIEW |

|          |     |
|----------|-----|
| DRAWN    | MCS |
| CHECKED  |     |
| ENGINEER |     |
| PROJ     |     |

**PARSONS**  
 100 WEST WALNUT STREET  
 PASADENA, CALIFORNIA

**LIGO**  
 CALIFORNIA INSTITUTE OF TECHNOLOGY  
 MASSACHUSETTS INSTITUTE OF TECHNOLOGY

LASER INTERFEROMETER  
 GRAVITATIONAL-WAVE OBSERVATORY  
 SITE NO.2 - LIVINGSTON, LOUISIANA

|   |          |                 |                |
|---|----------|-----------------|----------------|
| TITLE   | SCALE    | CONTRACT NUMBER | PROJECT NUMBER |
| STRUCTURAL<br>END STATIONS "A" & "B"<br>FRAMING ELEVATIONS<br>SHEET 3 | AS NOTED | PP150969        | 8094           |

**LA-S-307**