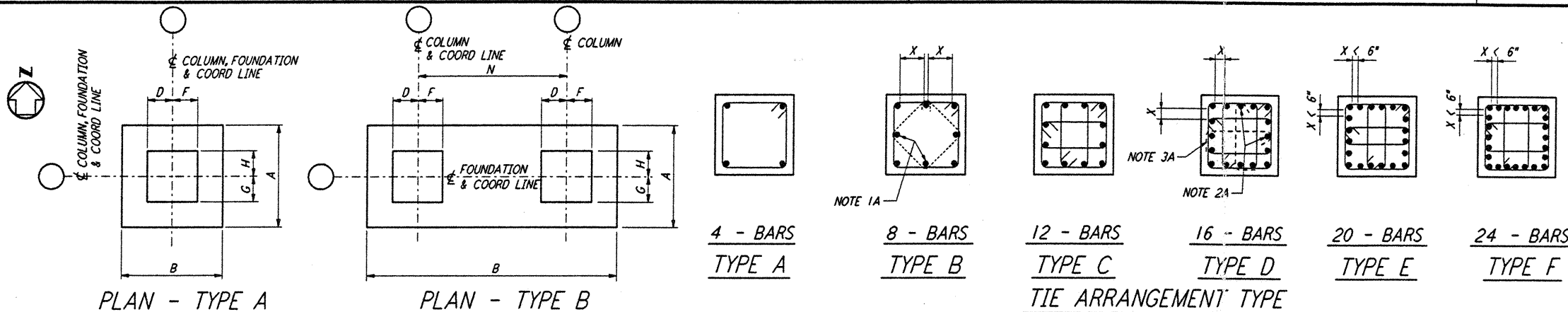


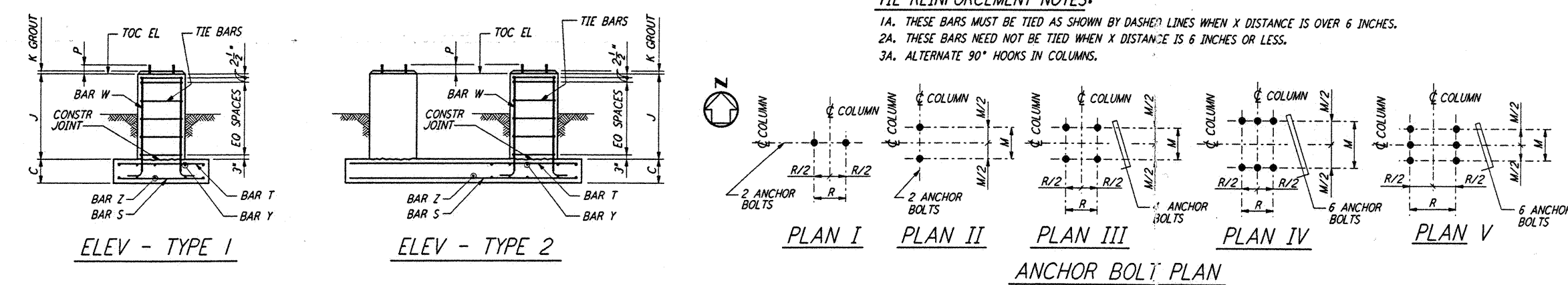
5 4 3 2



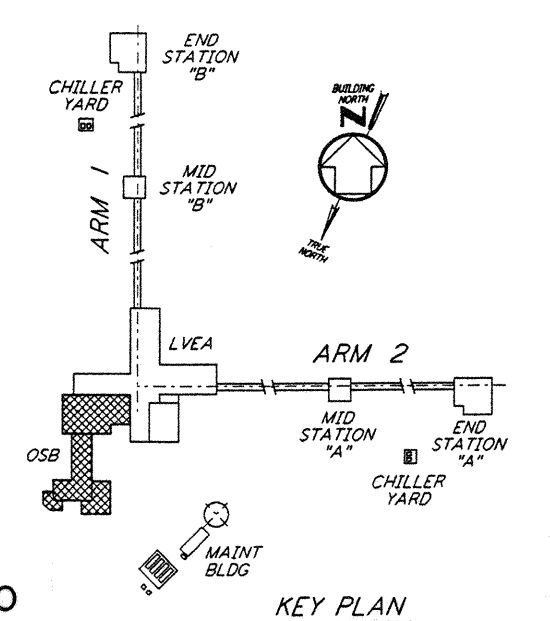
- NOTES:**
- CONSTRUCTION SHALL COMPLY WITH ALL THE REQUIREMENTS OF THE GENERAL NOTES ON DRAWING LA-S-001.
  - THE BAR SPACING IS BASED ON CENTER TO CENTER OF TIE SET.
  - FOR ANCHOR BOLT DETAILS SEE DRAWING LA-S-003.

**TIE REINFORCEMENT NOTES:**

1A. THESE BARS MUST BE TIED AS SHOWN BY DASHED LINES WHEN X DISTANCE IS OVER 6 INCHES.  
 2A. THESE BARS NEED NOT BE TIED WHEN X DISTANCE IS 6 INCHES OR LESS.  
 3A. ALTERNATE 90° HOOKS IN COLUMNS.



| FOUNDATION NO OF FONS RECD | FOUNDATION LOCATION (COL LINES) | TOP OF CONC EL | FOUNDATION TYPE | FOUNDATION ELEV | DIMENSIONS |       |       |     |     |     |     |       |    |       |       |     |                  | ANCHOR BOLTS PER PIER |             |        |       | REINFORCING PER FOUNDATION |               |               |               |               |               | CONC CY | FDN LOC PLAN | REMARKS |              |         |    |     |          |                              |          |     |          |  |
|----------------------------|---------------------------------|----------------|-----------------|-----------------|------------|-------|-------|-----|-----|-----|-----|-------|----|-------|-------|-----|------------------|-----------------------|-------------|--------|-------|----------------------------|---------------|---------------|---------------|---------------|---------------|---------|--------------|---------|--------------|---------|----|-----|----------|------------------------------|----------|-----|----------|--|
|                            |                                 |                |                 |                 | A          | B     | C     | D   | F   | G   | H   | J     | K  | M     | R     | N   | ANCHOR BOLT PLAN | TYPE                  | NO PER PIER | SIZE D | L     | P                          | BAR S NO SIZE | BAR Z NO SIZE | BAR T NO SIZE | BAR Y NO SIZE | BAR W NO SIZE |         |              |         | TIE BAR TYPE | NO RECD |    |     |          |                              |          |     |          |  |
| 1                          | L, 3-16, 3                      | 100'-0"        | A               | I               | 4'-6"      | 4'-6" | 1'-0" | 10" | 10" | 10" | 10" | 2'-6" | 1" | 7"    | 7"    | --- | III              | 2                     | 4           | 1"     | 1'-4" | 4"                         | 5             | #5            | 5             | #5            | 5             | #5      | 5            | #5      | 5            | #5      | 8  | #6  | B        | #4                           | 5        | 1.0 | LA-S-102 |  |
| 1                          | L, 3-15, 3                      | 100'-0"        | A               | I               | 4'-6"      | 4'-6" | 1'-0" | 10" | 10" | 10" | 10" | 2'-6" | 1" | 7"    | 7"    | --- | III              | 2                     | 4           | 1"     | 1'-4" | 4"                         | 5             | #5            | 5             | #5            | 5             | #5      | 5            | #5      | 8            | #6      | B  | #4  | 5        | 1.0                          | LA-S-102 |     |          |  |
| 1                          | N, 3-15, 3                      | 100'-0"        | A               | I               | 4'-6"      | 4'-6" | 1'-0" | 10" | 10" | 10" | 10" | 2'-6" | 1" | 7"    | 7"    | --- | III              | 2                     | 4           | 1"     | 1'-4" | 4"                         | 5             | #5            | 5             | #5            | 5             | #5      | 5            | #5      | 8            | #6      | B  | #4  | 5        | 1.0                          | LA-S-102 |     |          |  |
| 1                          | V, 15, 3                        | 100'-0"        | A               | I               | 4'-6"      | 4'-6" | 1'-0" | 10" | 10" | 10" | 10" | 1'-8" | 1" | 7"    | 7"    | --- | III              | 2                     | 4           | 1"     | 1'-4" | 4"                         | 5             | #5            | 5             | #5            | 5             | #5      | 5            | #5      | 8            | #6      | B  | #4  | 4        | 1.0                          | LA-S-102 |     |          |  |
| 1                          | J, 3-14, 3                      | 100'-0"        | A               | I               | 4'-0"      | 4'-8" | 1'-0" | 10" | 10" | 10" | 10" | 1'-8" | 1" | 7"    | 7"    | --- | III              | 2                     | 4           | 1"     | 1'-4" | 4"                         | 5             | #5            | 5             | #5            | 5             | #5      | 5            | #5      | 8            | #6      | B  | #4  | 4        | 1.0                          | LA-S-102 |     |          |  |
| 1                          | L, 3-14, 3                      | 100'-0"        | A               | I               | 4'-6"      | 4'-6" | 1'-0" | 10" | 10" | 10" | 10" | 1'-8" | 1" | 7"    | 7"    | --- | III              | 2                     | 4           | 1"     | 1'-4" | 4"                         | 5             | #5            | 5             | #5            | 5             | #5      | 5            | #5      | 8            | #6      | B  | #4  | 4        | 1.0                          | LA-S-102 |     |          |  |
| 1                          | J, 3-13, 3                      | 100'-0"        | A               | I               | 4'-0"      | 4'-8" | 1'-0" | 10" | 10" | 10" | 10" | 1'-8" | 1" | 7"    | 7"    | --- | III              | 2                     | 4           | 1"     | 1'-4" | 4"                         | 5             | #5            | 5             | #5            | 5             | #5      | 5            | #5      | 8            | #6      | B  | #4  | 4        | 1.0                          | LA-S-102 |     |          |  |
| 1                          | K, 3-13, 3                      | 100'-0"        | A               | I               | 4'-6"      | 4'-6" | 1'-0" | 10" | 10" | 10" | 10" | 1'-8" | 1" | 7"    | 7"    | --- | III              | 2                     | 4           | 1"     | 1'-4" | 4"                         | 5             | #5            | 5             | #5            | 5             | #5      | 5            | #5      | 8            | #6      | B  | #4  | 4        | 1.0                          | LA-S-102 |     |          |  |
| 1                          | L, 3-13, 3                      | 100'-0"        | A               | I               | 4'-6"      | 4'-6" | 1'-0" | 10" | 10" | 10" | 10" | 1'-8" | 1" | 7"    | 7"    | --- | III              | 2                     | 4           | 1"     | 1'-4" | 4"                         | 5             | #5            | 5             | #5            | 5             | #5      | 5            | #5      | 8            | #6      | B  | #4  | 4        | 1.0                          | LA-S-102 |     |          |  |
| 1                          | M, 3-13, 3                      | 100'-0"        | A               | I               | 4'-6"      | 4'-6" | 1'-0" | 10" | 10" | 10" | 10" | 1'-8" | 1" | 7"    | 7"    | --- | III              | 2                     | 4           | 1"     | 1'-4" | 4"                         | 5             | #5            | 5             | #5            | 5             | #5      | 5            | #5      | 8            | #6      | B  | #4  | 4        | 1.0                          | LA-S-102 |     |          |  |
| 1                          | L, 3-12, 3                      | 100'-0"        | A               | I               | 4'-6"      | 4'-6" | 1'-0" | 10" | 10" | 10" | 10" | 1'-8" | 1" | 7"    | 7"    | --- | III              | 2                     | 4           | 1"     | 1'-4" | 4"                         | 5             | #5            | 5             | #5            | 5             | #5      | 5            | #5      | 8            | #6      | B  | #4  | 4        | 1.0                          | LA-S-102 |     |          |  |
| 1                          | K, 3-11, 3                      | 100'-0"        | A               | I               | 4'-6"      | 4'-6" | 1'-0" | 10" | 10" | 10" | 10" | 1'-8" | 1" | 7"    | 7"    | --- | III              | 2                     | 4           | 1"     | 1'-4" | 4"                         | 5             | #5            | 5             | #5            | 5             | #5      | 5            | #5      | 8            | #6      | B  | #4  | 4        | 1.0                          | LA-S-102 |     |          |  |
| 1                          | L, 3-11, 3                      | 100'-0"        | A               | I               | 4'-6"      | 4'-6" | 1'-0" | 10" | 10" | 10" | 10" | 1'-8" | 1" | 7"    | 7"    | --- | III              | 2                     | 4           | 1"     | 1'-4" | 4"                         | 5             | #5            | 5             | #5            | 5             | #5      | 5            | #5      | 8            | #6      | B  | #4  | 4        | 1.0                          | LA-S-102 |     |          |  |
| 1                          | L, 3-17                         | 100'-0"        | A               | I               | 5'-0"      | 5'-0" | 1'-0" | 10" | 10" | 10" | 10" | 2'-6" | 1" | 7"    | 7"    | --- | III              | 2                     | 4           | 1"     | 1'-4" | 4"                         | 6             | #5            | 6             | #5            | 6             | #5      | 6            | #5      | 8            | #6      | B  | #4  | 5        | 1.2                          | LA-S-102 |     |          |  |
| 1                          | M, 3-17                         | 100'-0"        | A               | I               | 5'-0"      | 5'-0" | 1'-0" | 10" | 10" | 10" | 10" | 2'-6" | 1" | 7"    | 7"    | --- | III              | 2                     | 4           | 1"     | 1'-4" | 4"                         | 6             | #5            | 6             | #5            | 6             | #5      | 6            | #5      | 8            | #6      | B  | #4  | 5        | 1.2                          | LA-S-102 |     |          |  |
| 1                          | N, 3-17                         | 100'-0"        | A               | I               | 5'-0"      | 5'-0" | 1'-0" | 10" | 10" | 10" | 10" | 1'-8" | 1" | 7"    | 7"    | --- | III              | 2                     | 4           | 1"     | 1'-4" | 4"                         | 6             | #5            | 6             | #5            | 6             | #5      | 6            | #5      | 8            | #6      | B  | #4  | 4        | 1.2                          | LA-S-102 |     |          |  |
| 1                          | N, 3-16, 3                      | 100'-0"        | A               | I               | 5'-0"      | 5'-0" | 1'-0" | 10" | 10" | 10" | 10" | 2'-6" | 1" | 7"    | 7"    | --- | III              | 2                     | 4           | 1"     | 1'-4" | 4"                         | 6             | #5            | 6             | #5            | 6             | #5      | 6            | #5      | 8            | #6      | B  | #4  | 5        | 1.2                          | LA-S-102 |     |          |  |
| 1                          | P, 3-16, 3                      | 100'-0"        | A               | I               | 5'-0"      | 5'-0" | 1'-0" | 10" | 10" | 10" | 10" | 1'-8" | 1" | 7"    | 7"    | --- | III              | 2                     | 4           | 1"     | 1'-4" | 4"                         | 6             | #5            | 6             | #5            | 6             | #5      | 6            | #5      | 8            | #6      | B  | #4  | 4        | 1.2                          | LA-S-102 |     |          |  |
| 1                          | R, 16, 3                        | 100'-0"        | A               | I               | 5'-0"      | 5'-0" | 1'-0" | 10" | 10" | 10" | 10" | 1'-8" | 1" | 7"    | 7"    | --- | III              | 2                     | 4           | 1"     | 1'-4" | 4"                         | 6             | #5            | 6             | #5            | 6             | #5      | 6            | #5      | 8            | #6      | B  | #4  | 4        | 1.2                          | LA-S-102 |     |          |  |
| 1                          | S, 16, 3                        | 100'-0"        | A               | I               | 5'-0"      | 5'-0" | 1'-0" | 10" | 10" | 10" | 10" | 1'-8" | 1" | 7"    | 7"    | --- | III              | 2                     | 4           | 1"     | 1'-4" | 4"                         | 6             | #5            | 6             | #5            | 6             | #5      | 6            | #5      | 8            | #6      | B  | #4  | 4        | 1.2                          | LA-S-102 |     |          |  |
| 1                          | W, 16, 3                        | 100'-0"        | A               | I               | 5'-0"      | 5'-0" | 1'-0" | 10" | 10" | 10" | 10" | 1'-8" | 1" | 7"    | 7"    | --- | III              | 2                     | 4           | 1"     | 1'-4" | 4"                         | 6             | #5            | 6             | #5            | 6             | #5      | 6            | #5      | 8            | #6      | B  | #4  | 4        | 1.2                          | LA-S-102 |     |          |  |
| 1                          | R, 14, 3                        | 100'-0"        | A               | I               | 5'-0"      | 5'-0" | 1'-0" | 10" | 10" | 10" | 10" | 1'-8" | 1" | 7"    | 7"    | --- | III              | 2                     | 4           | 1"     | 1'-4" | 4"                         | 6             | #5            | 6             | #5            | 6             | #5      | 6            | #5      | 8            | #6      | B  | #4  | 4        | 1.2                          | LA-S-102 |     |          |  |
| 1                          | S, 14, 3                        | 100'-0"        | A               | I               | 5'-0"      | 5'-0" | 1'-0" | 10" | 10" | 10" | 10" | 1'-8" | 1" | 7"    | 7"    | --- | III              | 2                     | 4           | 1"     | 1'-4" | 4"                         | 6             | #5            | 6             | #5            | 6             | #5      | 6            | #5      | 8            | #6      | B  | #4  | 4        | 1.2                          | LA-S-102 |     |          |  |
| 1                          | T, 14, 3                        | 100'-0"        | A               | I               | 5'-0"      | 5'-0" | 1'-0" | 10" | 10" | 10" | 10" | 1'-8" | 1" | 7"    | 7"    | --- | III              | 2                     | 4           | 1"     | 1'-4" | 4"                         | 6             | #5            | 6             | #5            | 6             | #5      | 6            | #5      | 8            | #6      | B  | #4  | 4        | 1.2                          | LA-S-102 |     |          |  |
| 1                          | U, 14, 3                        | 100'-0"        | A               | I               | 5'-0"      | 5'-0" | 1'-0" | 10" | 10" | 10" | 10" | 1'-8" | 1" | 7"    | 7"    | --- | III              | 2                     | 4           | 1"     | 1'-4" | 4"                         | 6             | #5            | 6             | #5            | 6             | #5      | 6            | #5      | 8            | #6      | B  | #4  | 4        | 1.2                          | LA-S-102 |     |          |  |
| 1                          | V, 14, 3                        | 100'-0"        | A               | I               | 5'-0"      | 5'-0" | 1'-0" | 10" | 10" | 10" | 10" | 1'-8" | 1" | 7"    | 7"    | --- | III              | 2                     | 4           | 1"     | 1'-4" | 4"                         | 6             | #5            | 6             | #5            | 6             | #5      | 6            | #5      | 8            | #6      | B  | #4  | 4        | 1.2                          | LA-S-102 |     |          |  |
| 1                          | M, 3-12, 3                      | 100'-0"        | A               | I               | 5'-0"      | 5'-0" | 1'-0" | 10" | 10" | 10" | 10" | 1'-8" | 1" | 7"    | 7"    | --- | III              | 2                     | 4           | 1"     | 1'-4" | 4"                         | 6             | #5            | 6             | #5            | 6             | #5      | 6            | #5      | 8            | #6      | B  | #4  | 4        | 1.2                          | LA-S-102 |     |          |  |
| 1                          | N, 3-12, 3                      | 100'-0"        | A               | I               | 5'-0"      | 5'-0" | 1'-0" | 10" | 10" | 10" | 10" | 1'-8" | 1" | 7"    | 7"    | --- | III              | 2                     | 4           | 1"     | 1'-4" | 4"                         | 6             | #5            | 6             | #5            | 6             | #5      | 6            | #5      | 8            | #6      | B  | #4  | 4        | 1.2                          | LA-S-102 |     |          |  |
| 1                          | M, 6-10, 3                      | 100'-0"        | A               | I               | 3'-0"      | 3'-0" | 1'-0" | 10" | 10" | 10" | 10" | 1'-8" | 1" | 1'-0" | 1'-0" | --- | III              | 2                     | 4           | 1"     | 1'-4" | 4"                         | 4             | #5            | 4             | #5            | -             | -       | -            | 8       | #6           | B       | #4 | 4   | 0.5      | LA-S-102                     |          |     |          |  |
| 1                          | M, 6-11, 3                      | 100'-0"        | A               | I               | 3'-0"      | 3'-0" | 1'-0" | 10" | 10" | 10" | 10" | 1'-8" | 1" | 1'-0" | 1'-0" | --- | III              | 2                     | 4           | 1"     | 1'-4" | 4"                         | 4             | #5            | 4             | #5            | -             | -       | -            | 8       | #6           | B       | #4 | 4   | 0.5      | LA-S-102                     |          |     |          |  |
| 1                          | V, 1-18, 4                      | 100'-0"        | A               | I               | ---        | ---   | ---   | 10" | 10" | 10" | 10" | 1'-8" | 1" | 8"    | 1'-0" | --- | III              | 2                     | 4           | 1"     | 1'-4" | 4"                         | -             | -             | -             | -             | -             | -       | 8            | #6      | B            | #4      | 4  | 0.5 | LA-S-102 | FOR ADDL INFO SEE P/LA-S-405 |          |     |          |  |
| 1                          | W, 18, 4                        | 100'-0"        | A               | I               | 3'-0"      | 3'-0" | 1'-0" | 10" | 10" | 10" | 10" | 1'-8" | 1" | 7"    | 7"    | --- | III              | 2                     | 4           | 1"     | 1'-4" | 4"                         | 4             | #5            | 4             | #5            | -             | -       | -            | 8       | #6           | B       | #4 | 4   | 0.5      | LA-S-102                     |          |     |          |  |
| 1                          | W, 4-17, 1                      | 100'-0"        | A               | I               | ---        | ---   | ---   | 10" | 10" | 10" | 10" | 1'-8" | 1" | 1'-0" | 8"    | --- | III              | 2                     | 4           | 1"     | 1'-4" | 4"                         | -             | -             | -             | -             | -             | -       | 8            | #6      | B            | #4      | 4  | 0.5 | LA-S-102 | FOR ADDL INFO SEE P/LA-S-405 |          |     |          |  |
| 1                          | W, 4-18                         | 100'-0"        | A               | I               | 3'-0"      | 3'-0" | 1'-0" | 10" | 10" | 10" | 10" | 1'-8" | 1" | 7"    | 7"    | --- | III              | 2                     | 4           | 1"     | 1'-4" | 4"                         | 4             | #5            | 4             | #5            | -             | -       | -            | 8       | #6           | B       | #4 | 4   | 0.5      | LA-S-102                     |          |     |          |  |



LIGO-D960954-A-0

not be reproduced, copied, loaned, exhibited, or used in any other way, except by written consent from PARSONS to the borrower.

This document and the design it covers are the property of PARSONS. They are loaned only with the borrower's expressed written agreement that they will

19 JUN 13 2:00:00 1776 517V982C 45T1U15V10E0E3Y982C3Y4WZ7F#

19 JUN 13 2:00:00 1776 517V982C 45T1U15V10E0E3Y982C3Y4WZ7F#

| NO. | DATE    | BY  | CHKD | ENGR | PROJ | DESCRIPTION         |
|-----|---------|-----|------|------|------|---------------------|
| A   | 6-14-96 | MCS |      |      |      | FINAL DESIGN REVIEW |

|          |     |
|----------|-----|
| DRAWN    | MCS |
| CHECKED  |     |
| ENGINEER |     |
| PROJ     |     |

**PARSONS**

100 WEST WALNUT STREET  
 PASADENA, CALIFORNIA

**LIGO**

CALIFORNIA INSTITUTE OF TECHNOLOGY  
 MASSACHUSETTS INSTITUTE OF TECHNOLOGY

LASER INTERFEROMETER  
 GRAVITATIONAL-WAVE OBSERVATORY  
 SITE NO. 2 - LIVINGSTON, LOUISIANA

TITLE: STRUCTURAL CORNER STATION - OSB FOUNDATION SCHEDULE AND DETAILS SHEET I

SCALE: NONE CONTRACT NUMBER: PPI50969 PROJECT NUMBER: 8094

SHEET NUMBER: LA-S-402