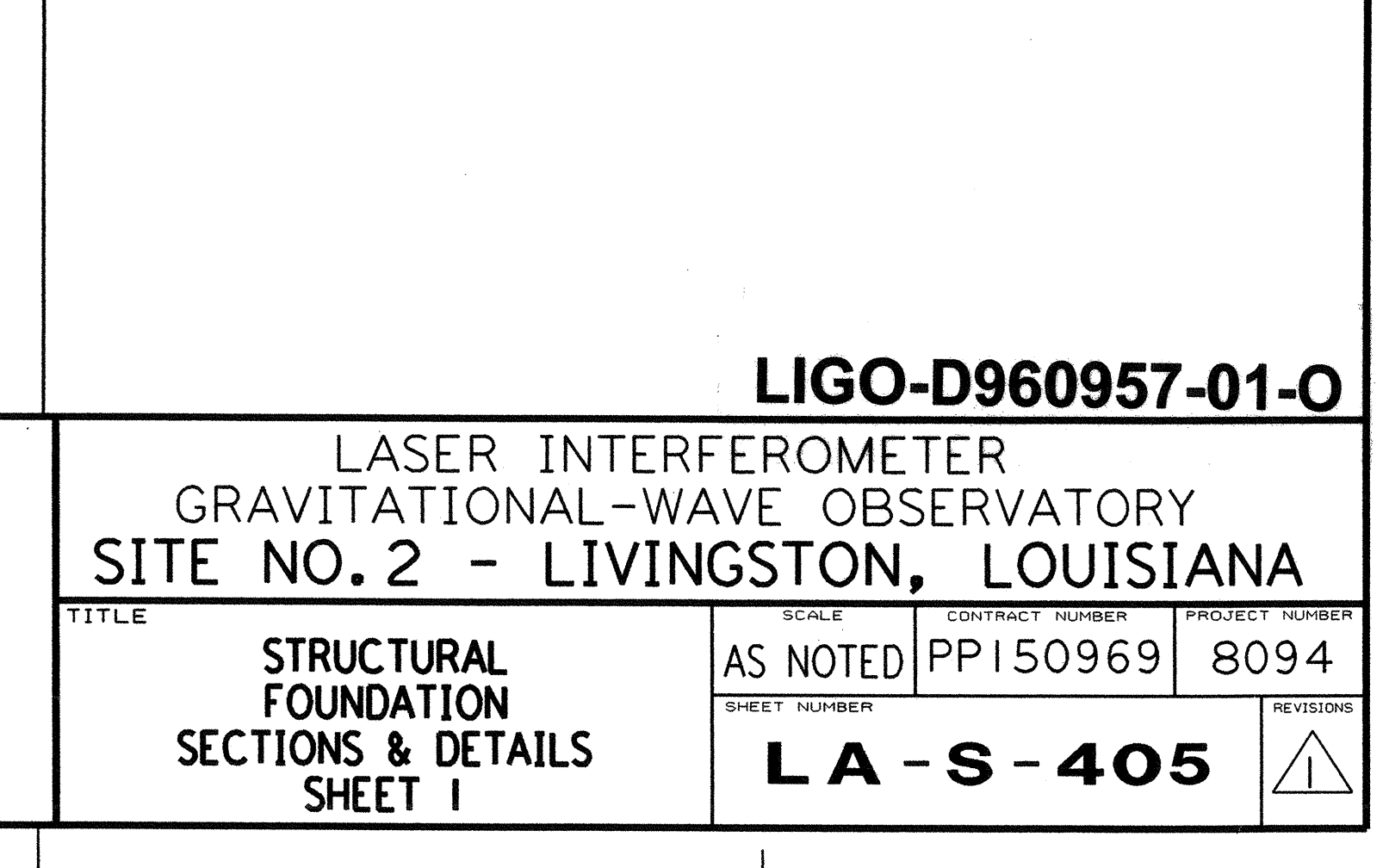
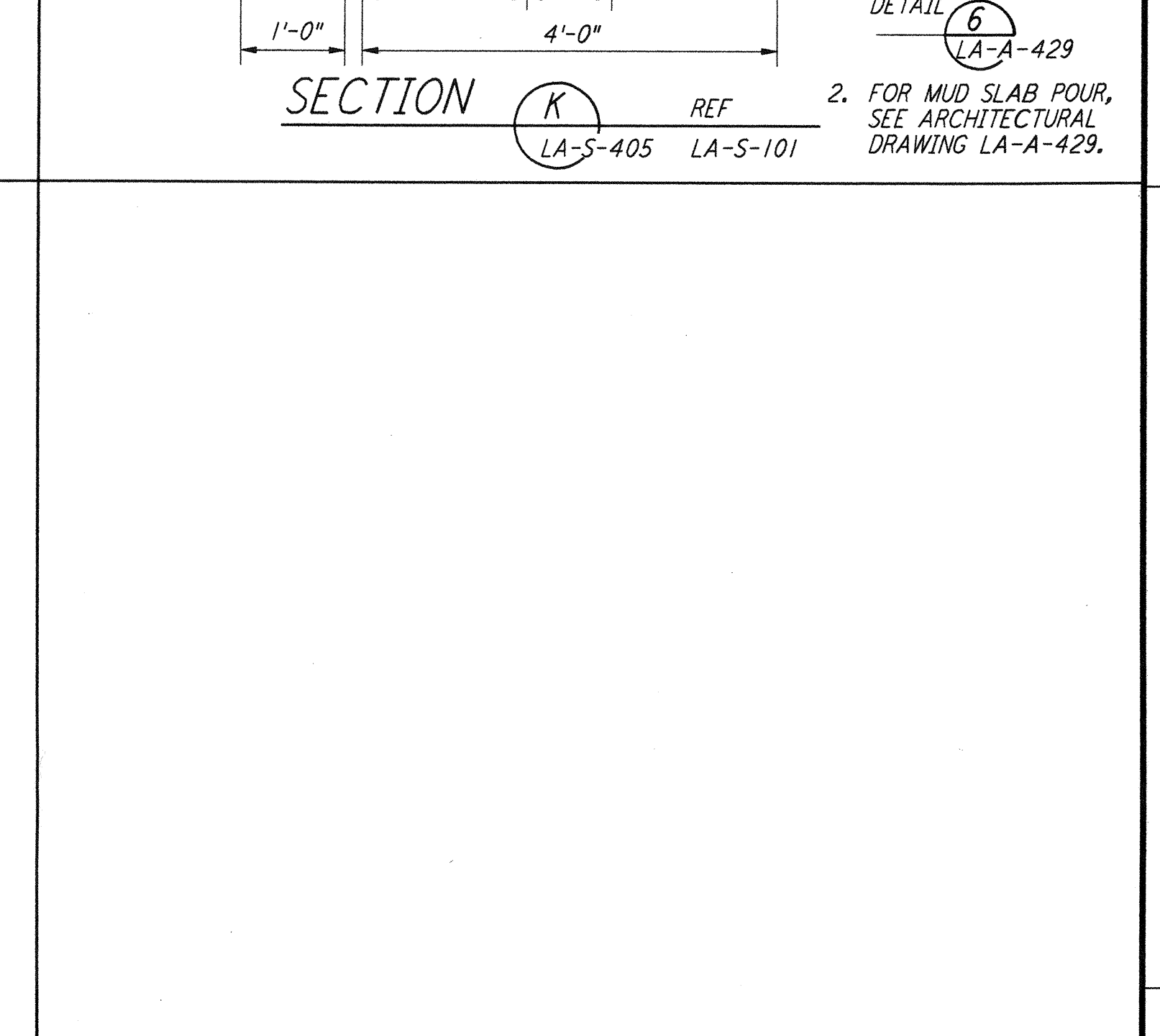
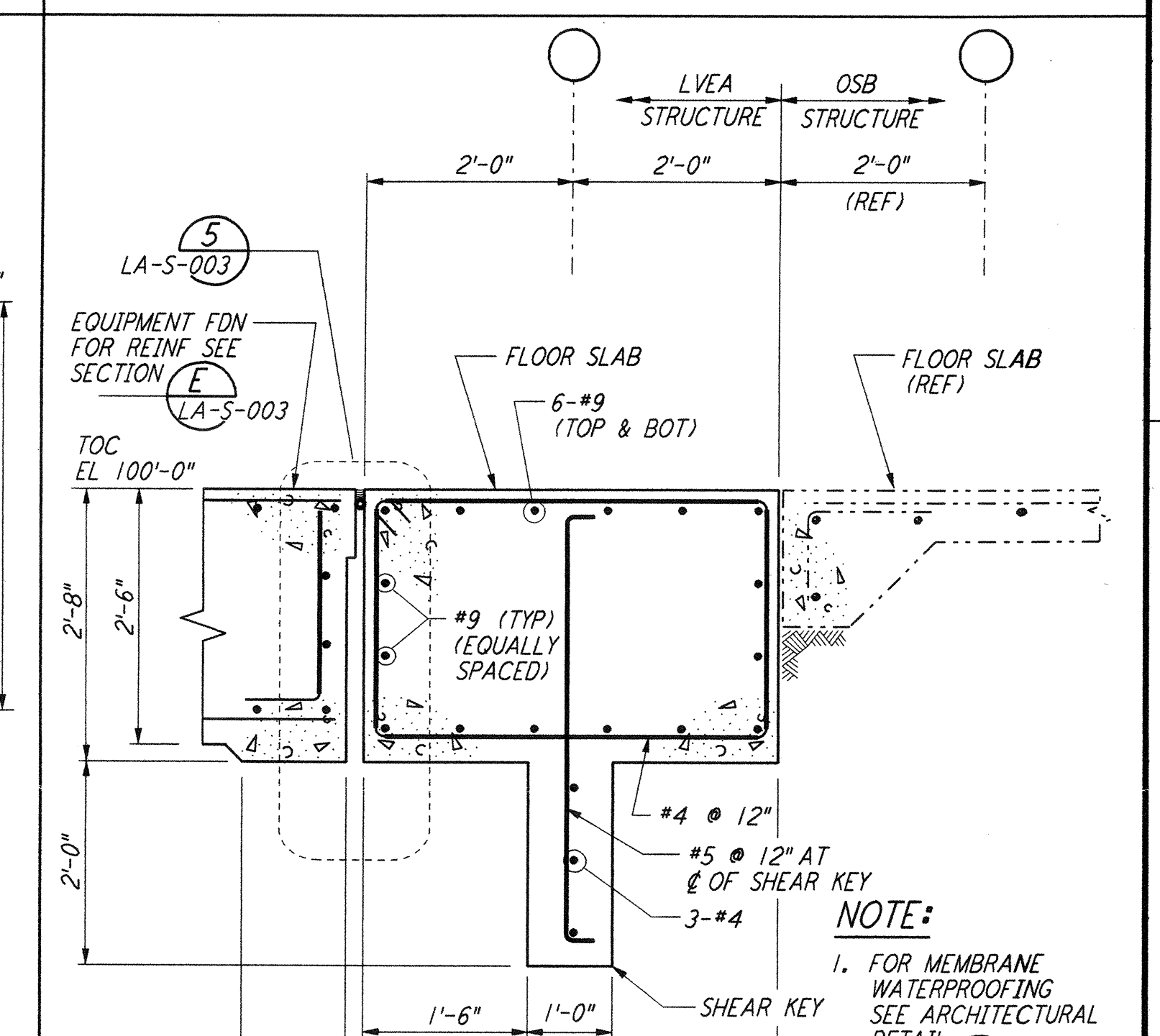
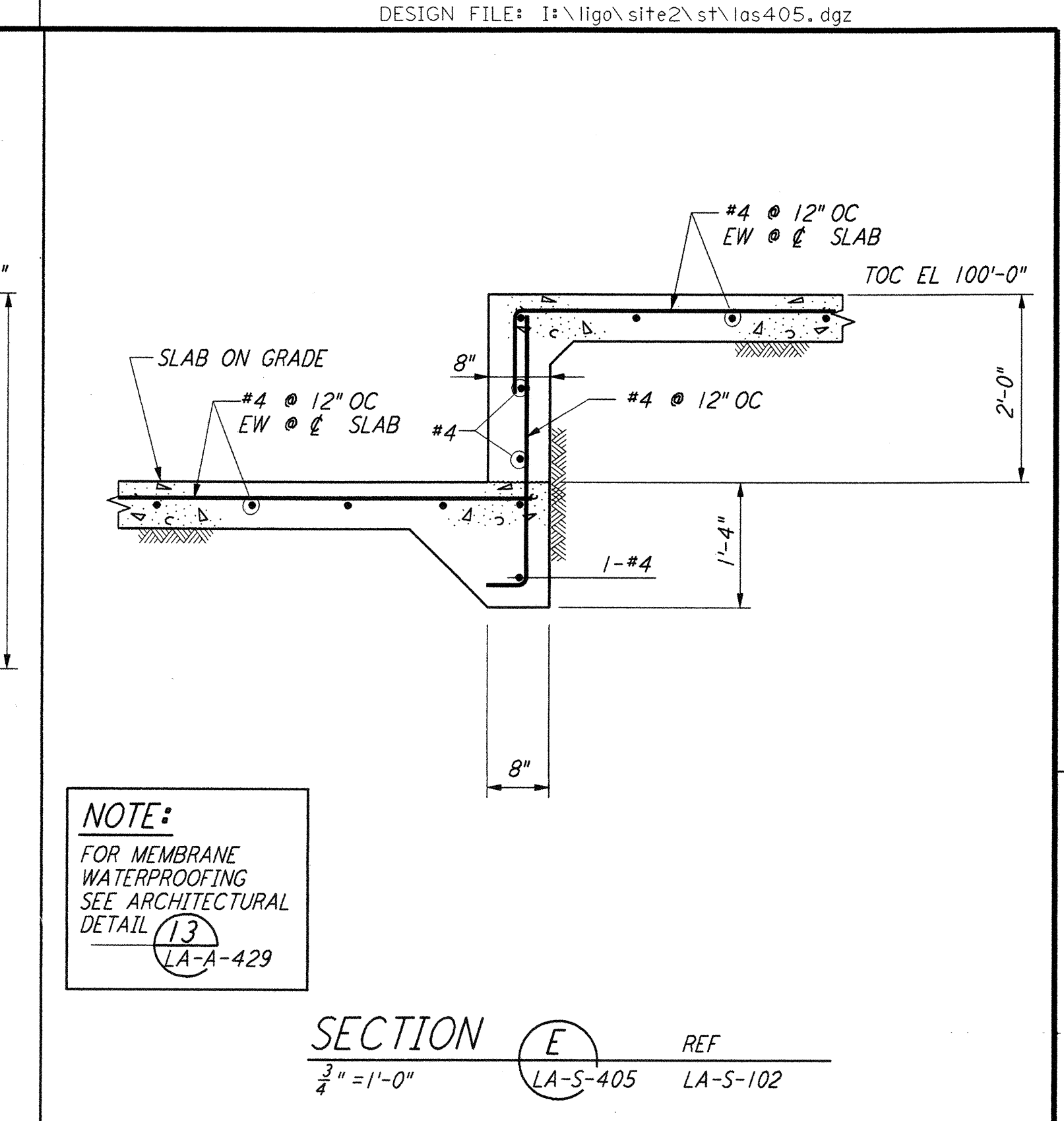
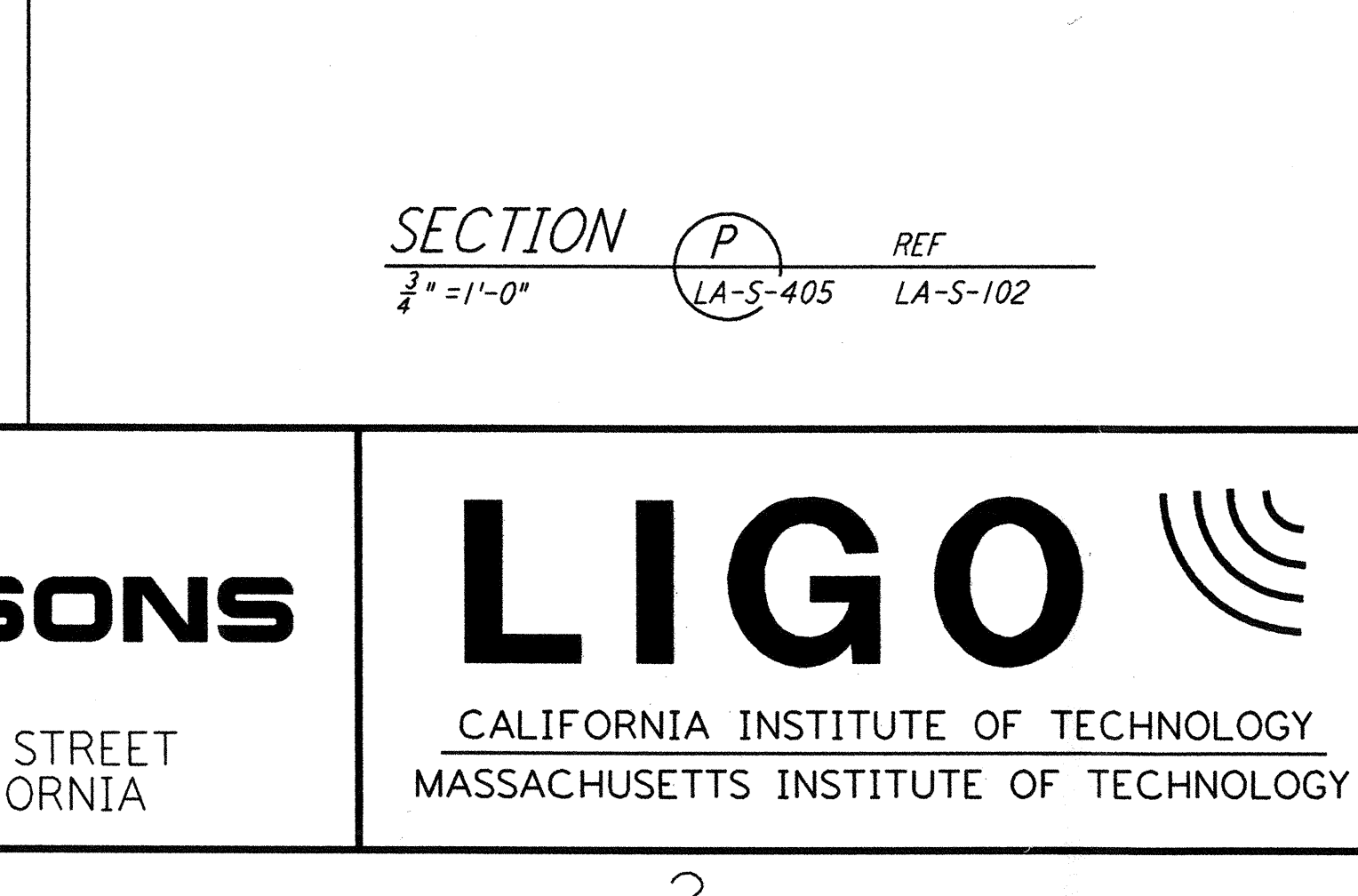
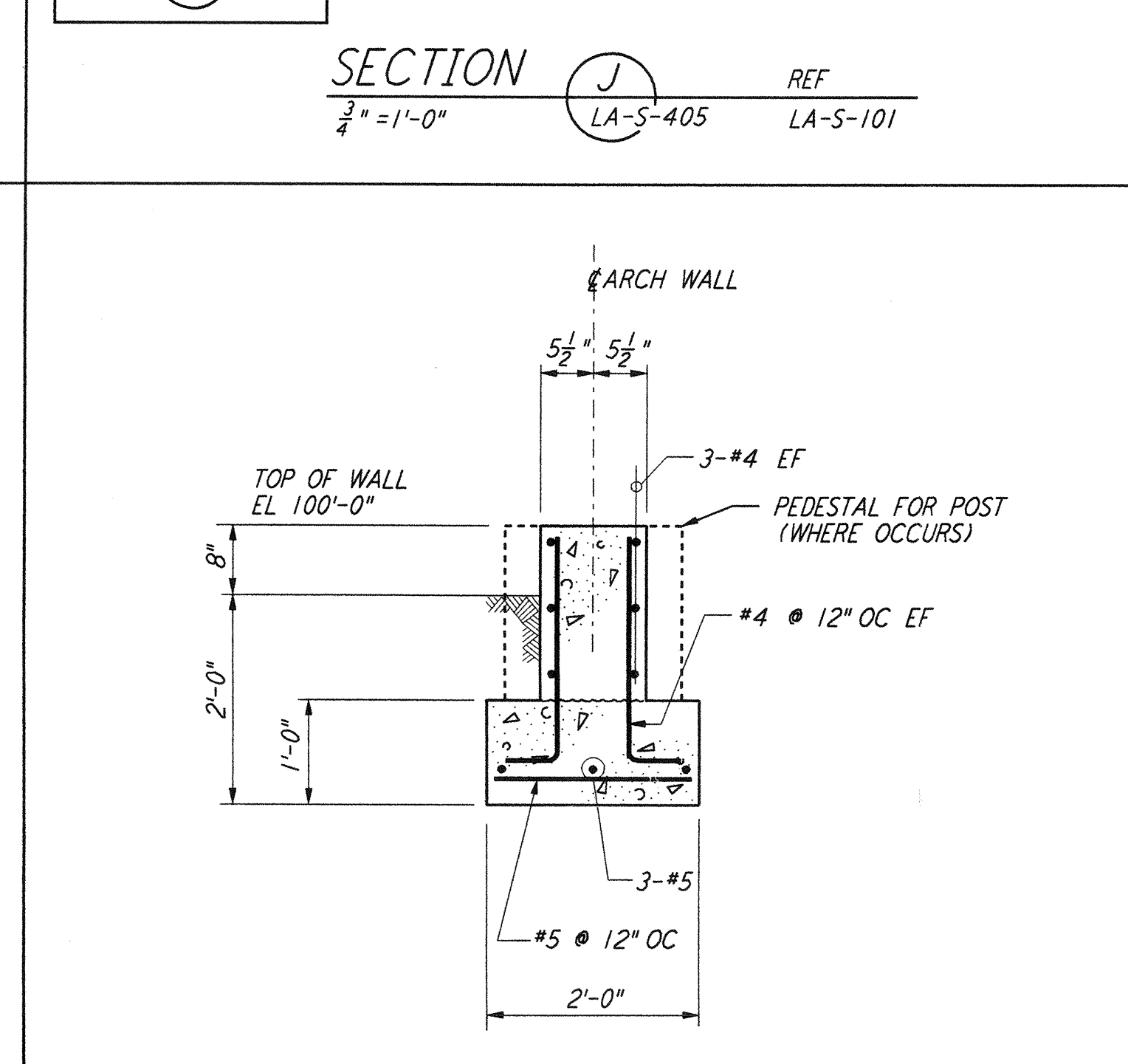
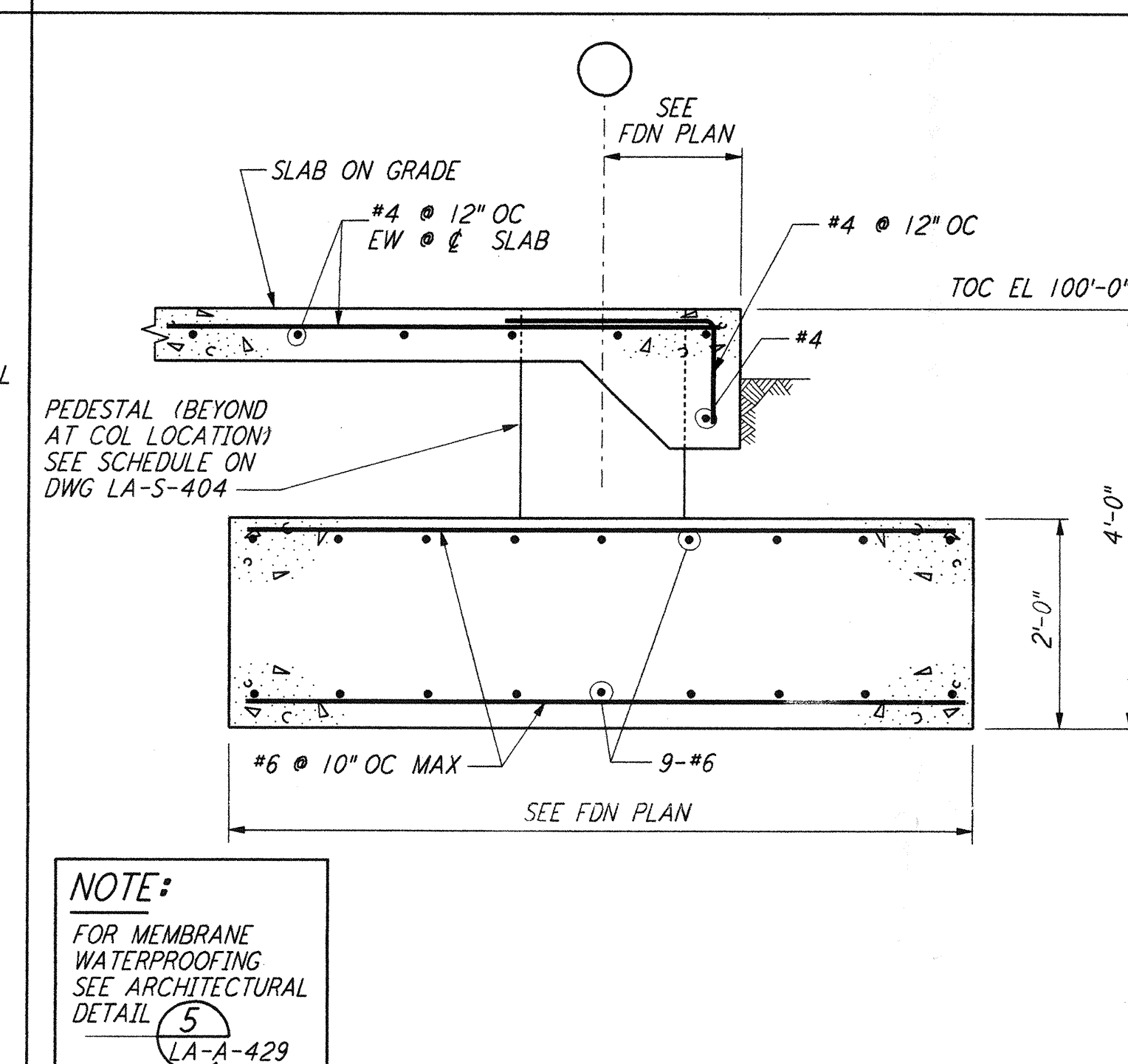
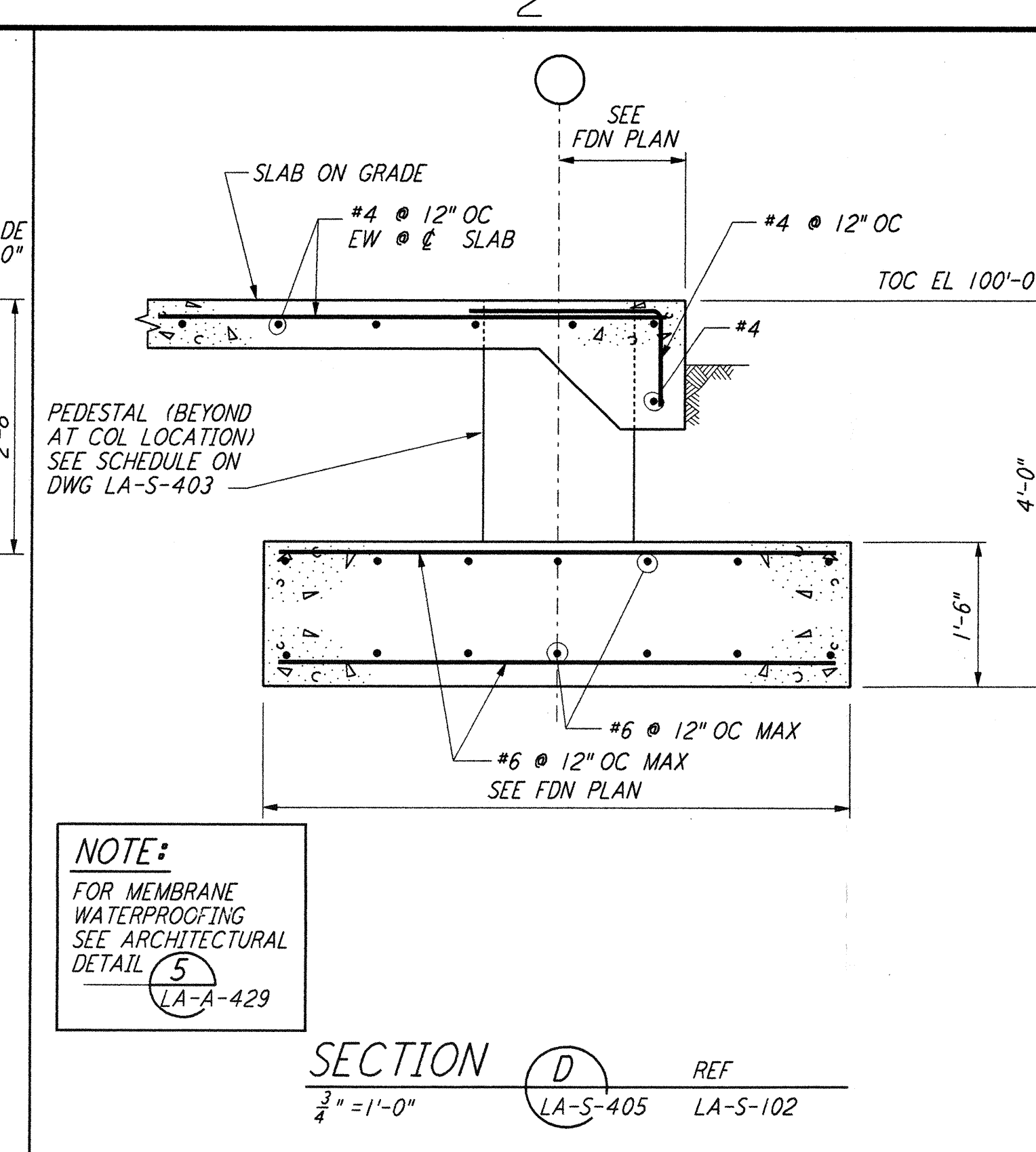
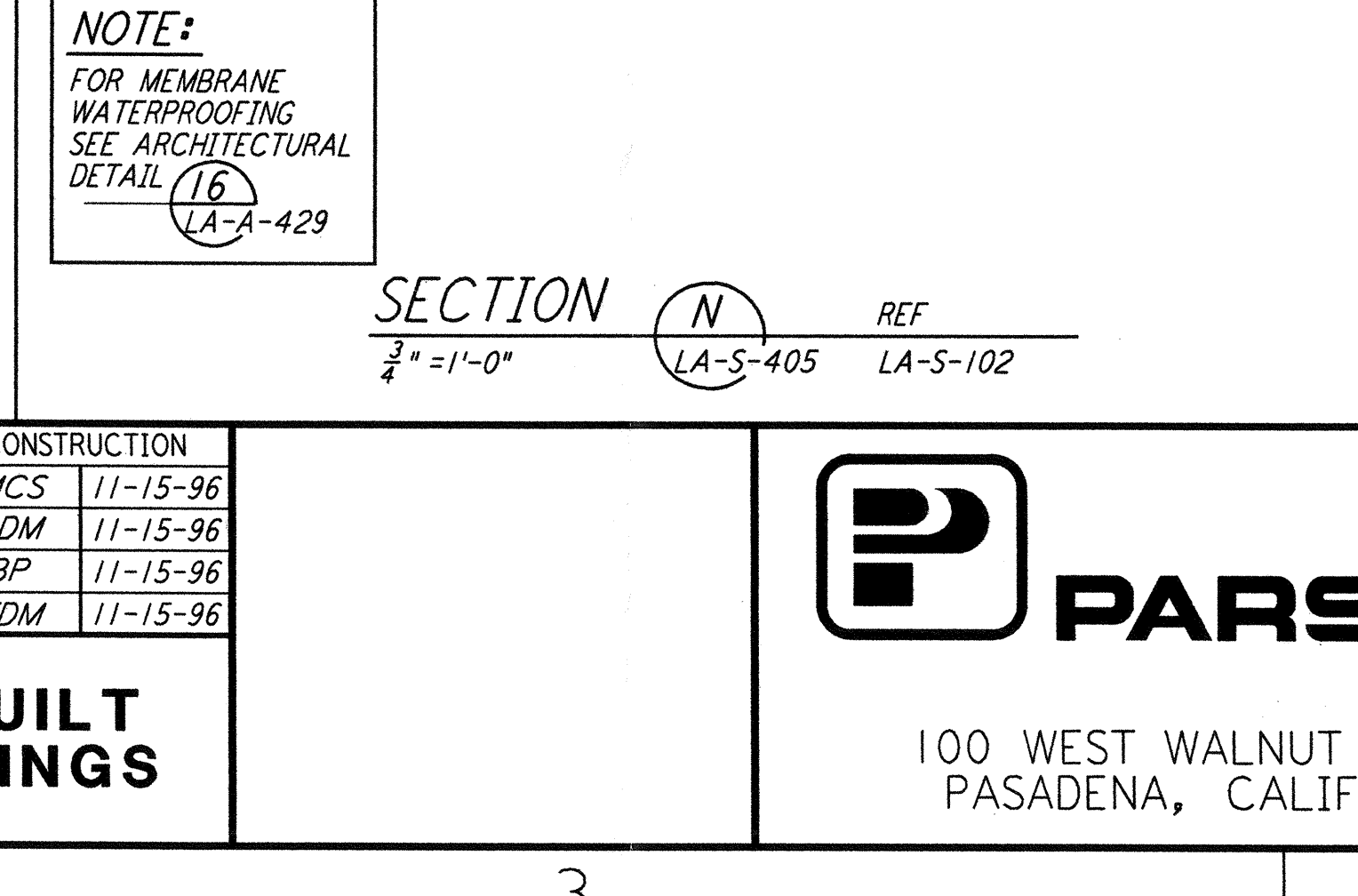
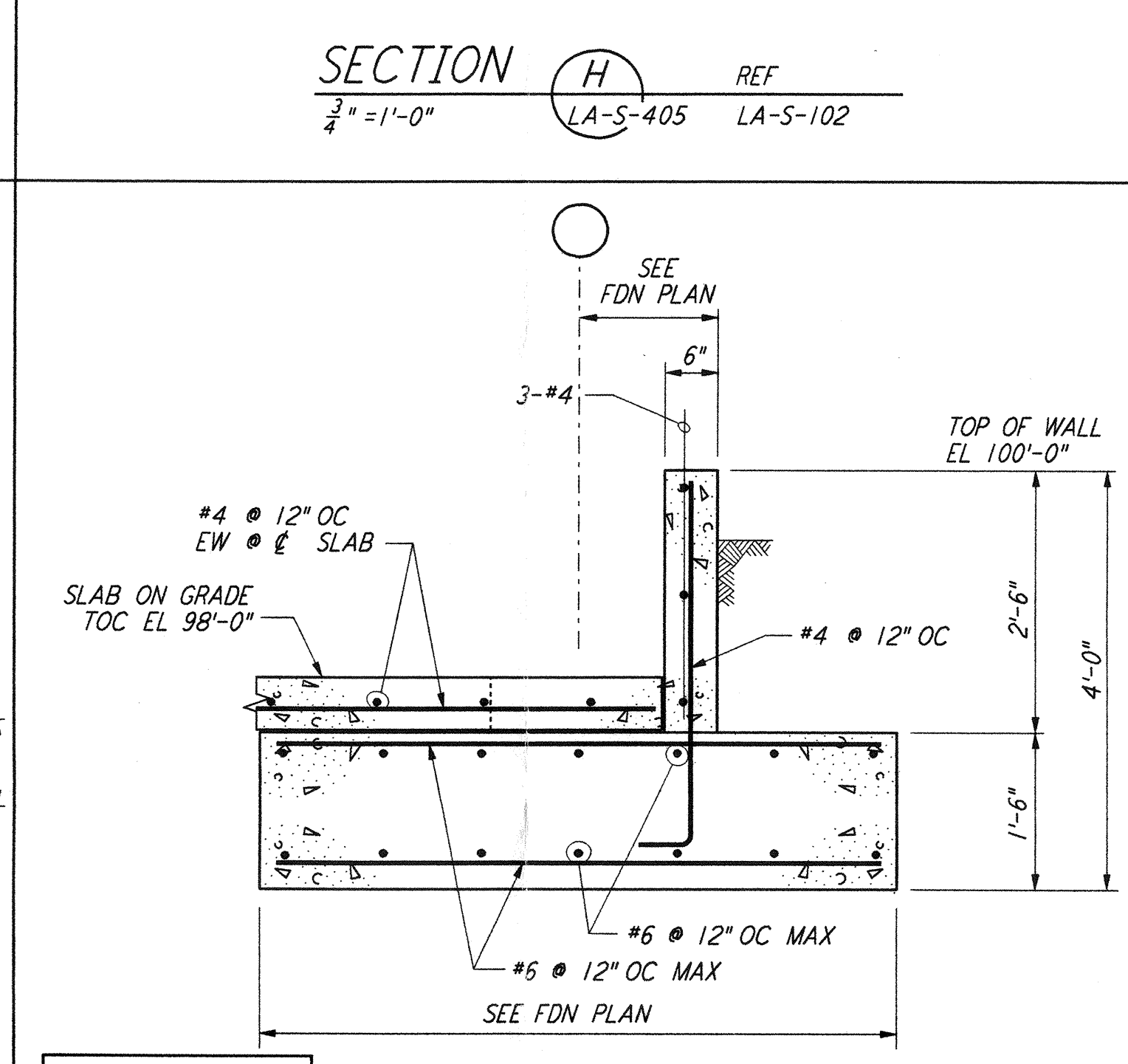
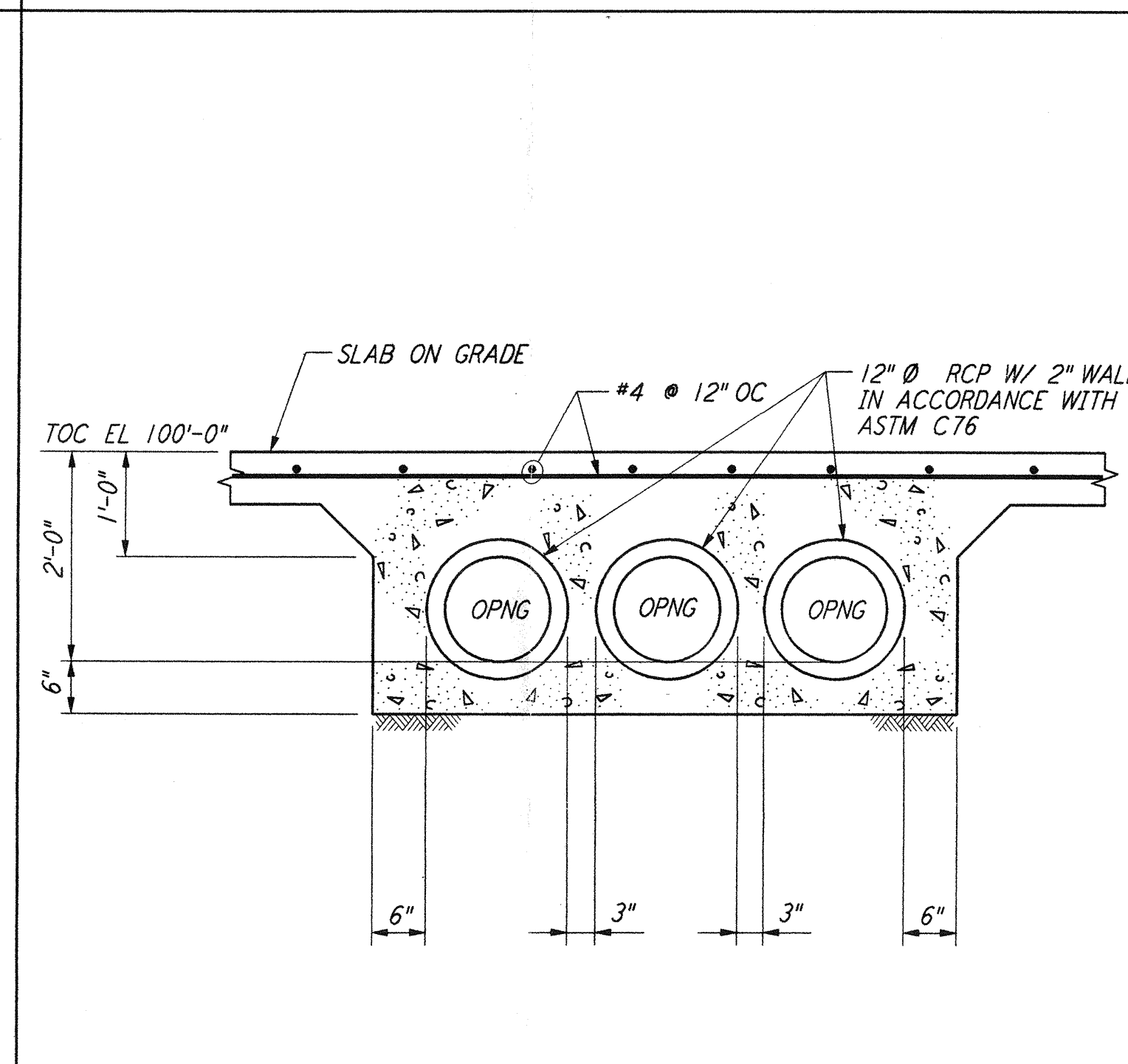
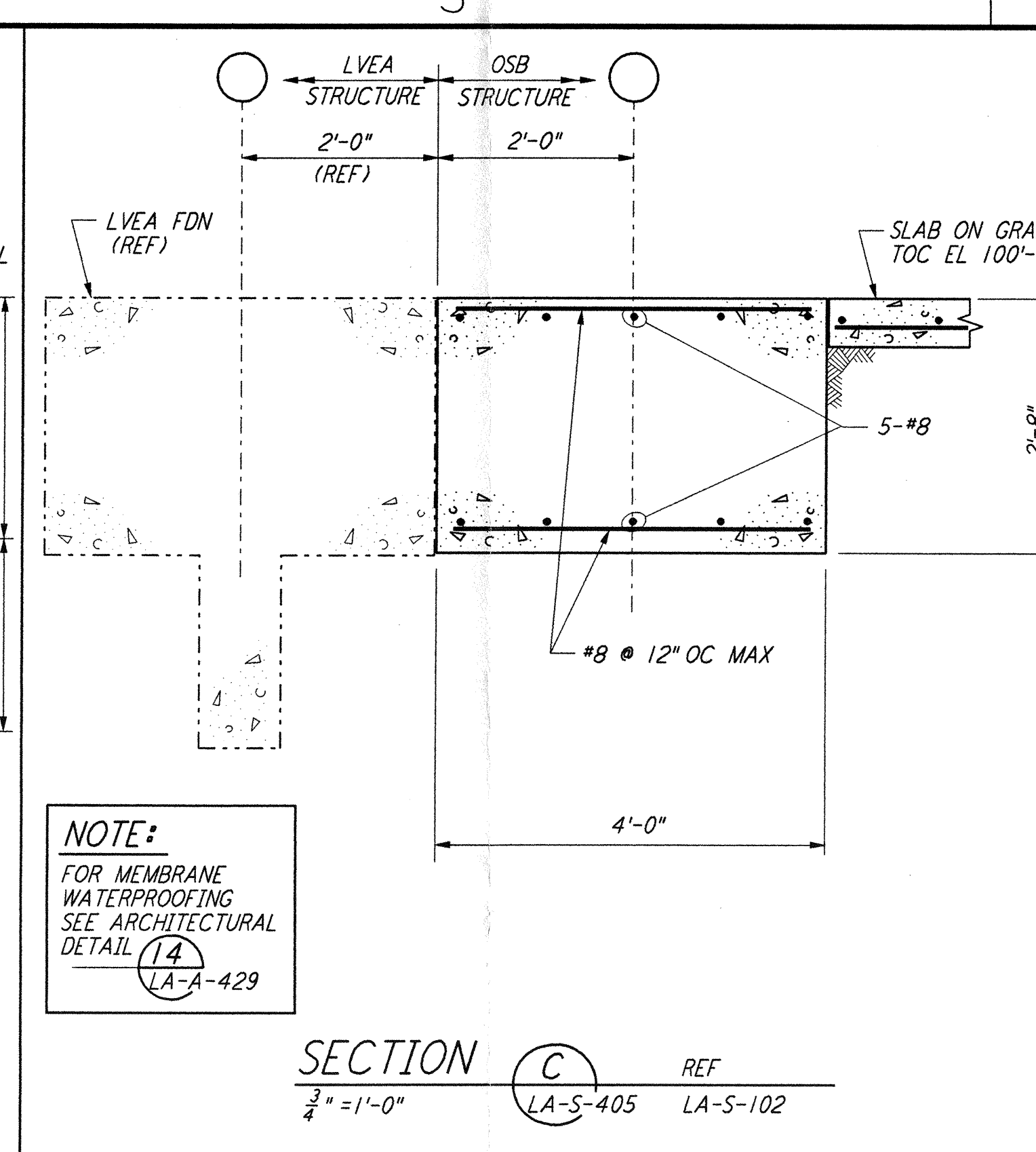
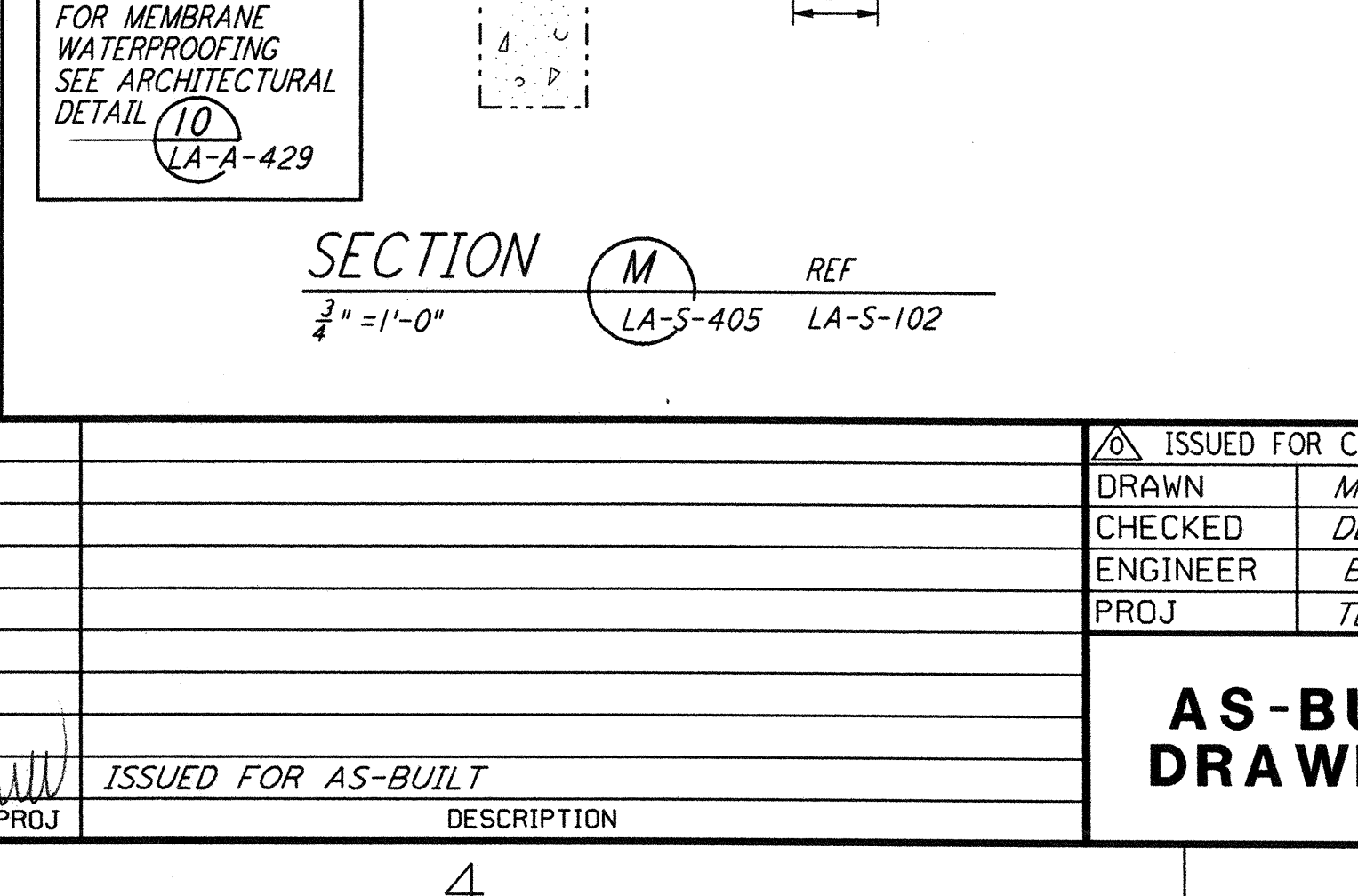
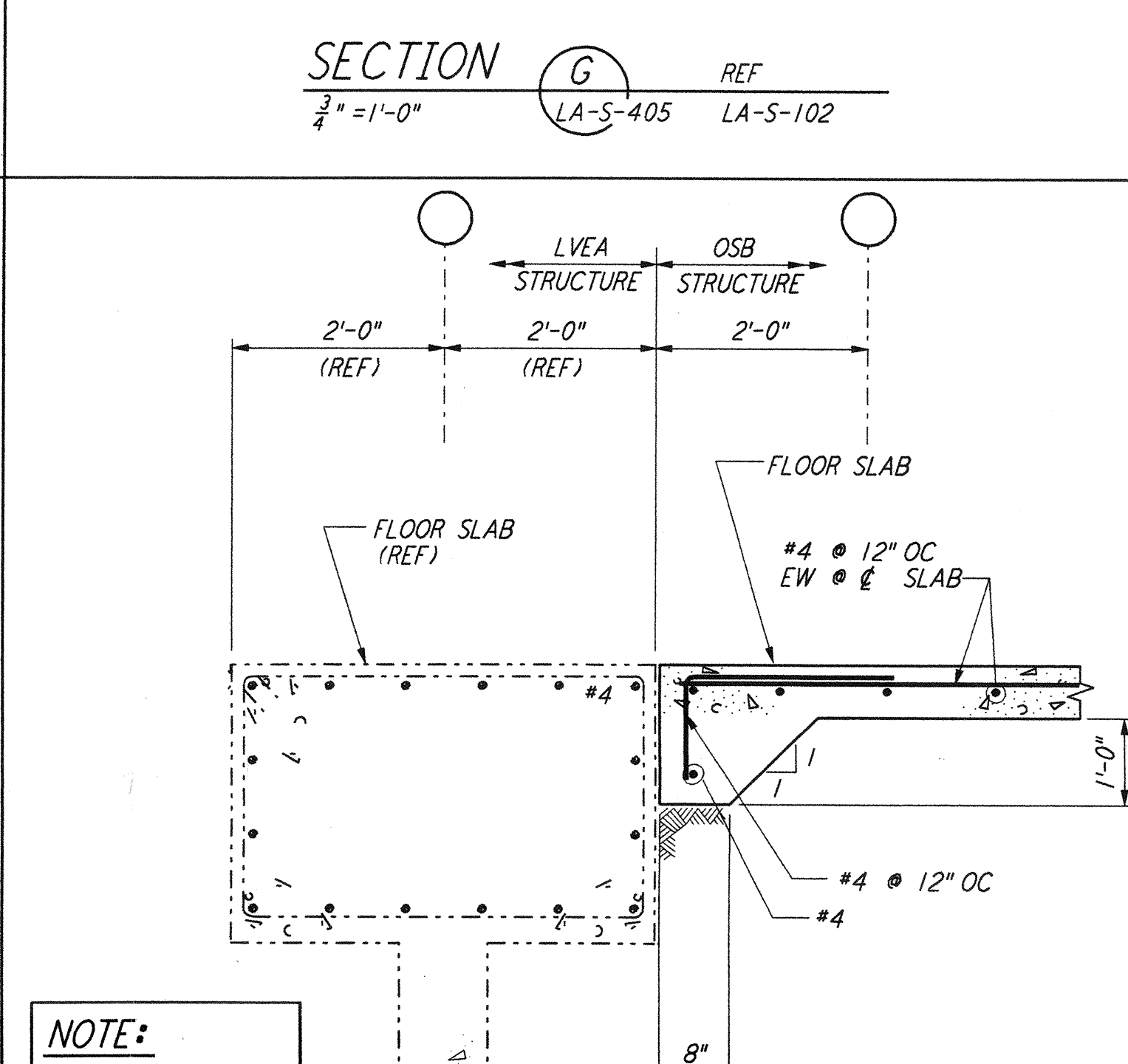
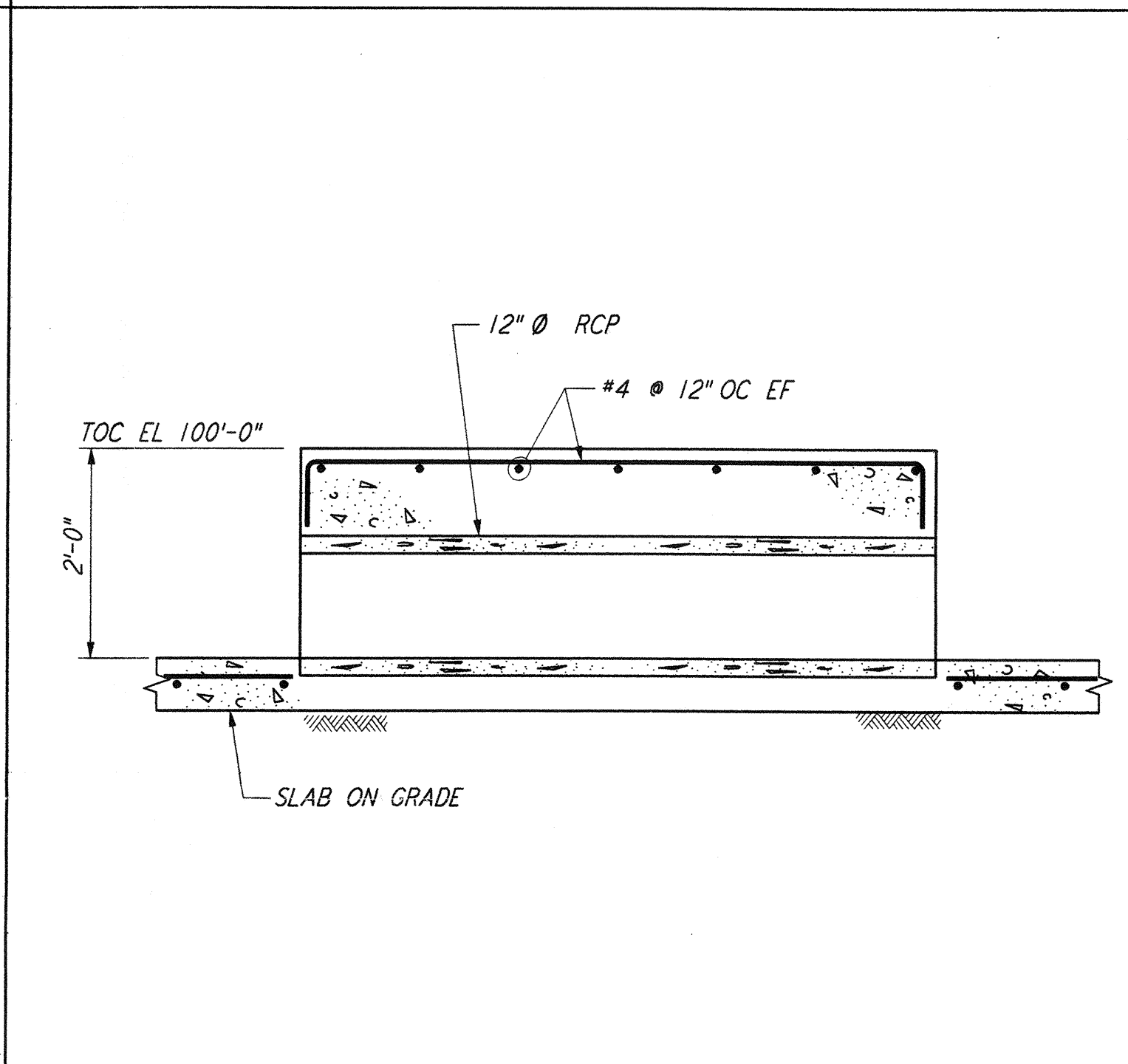
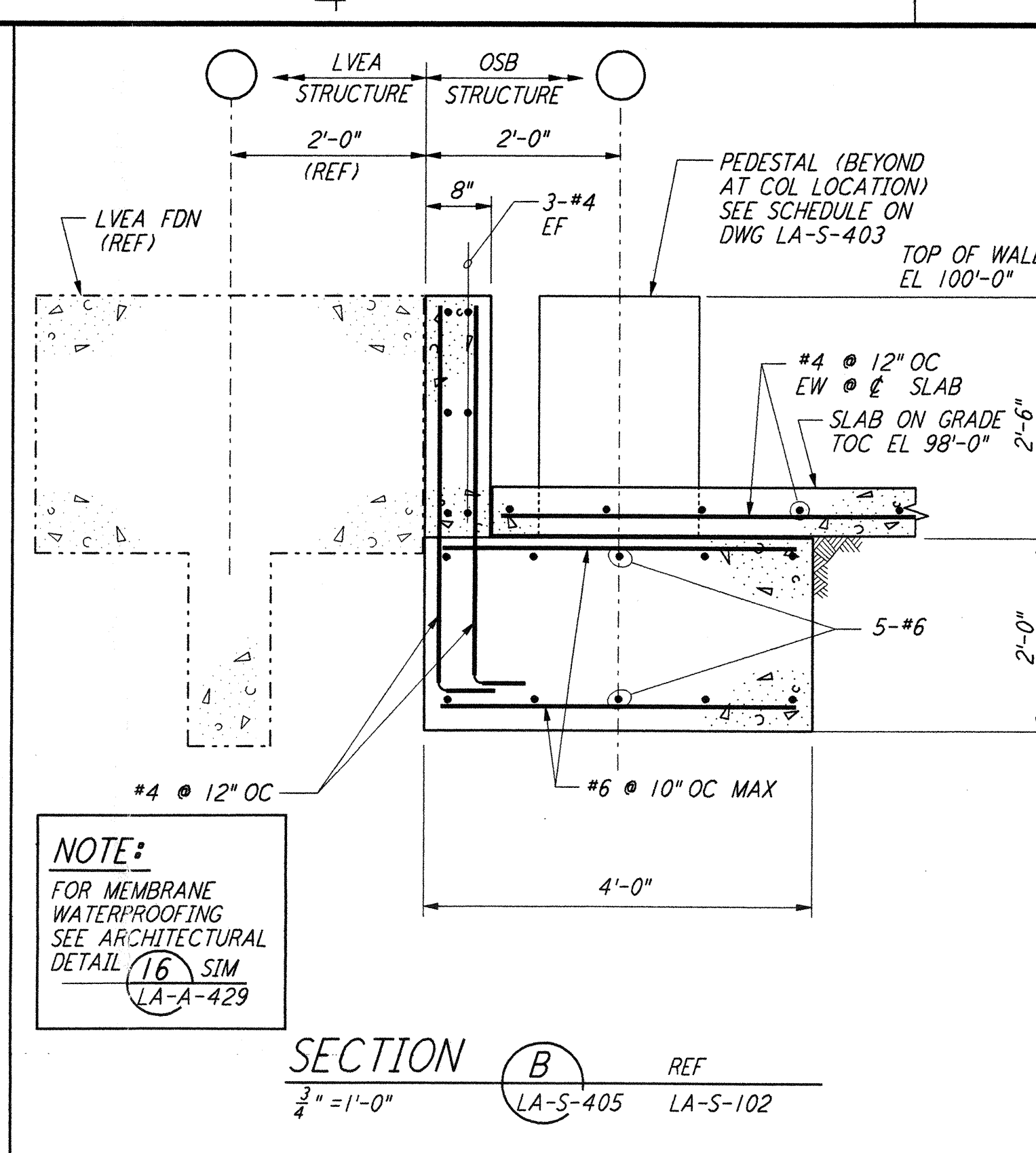
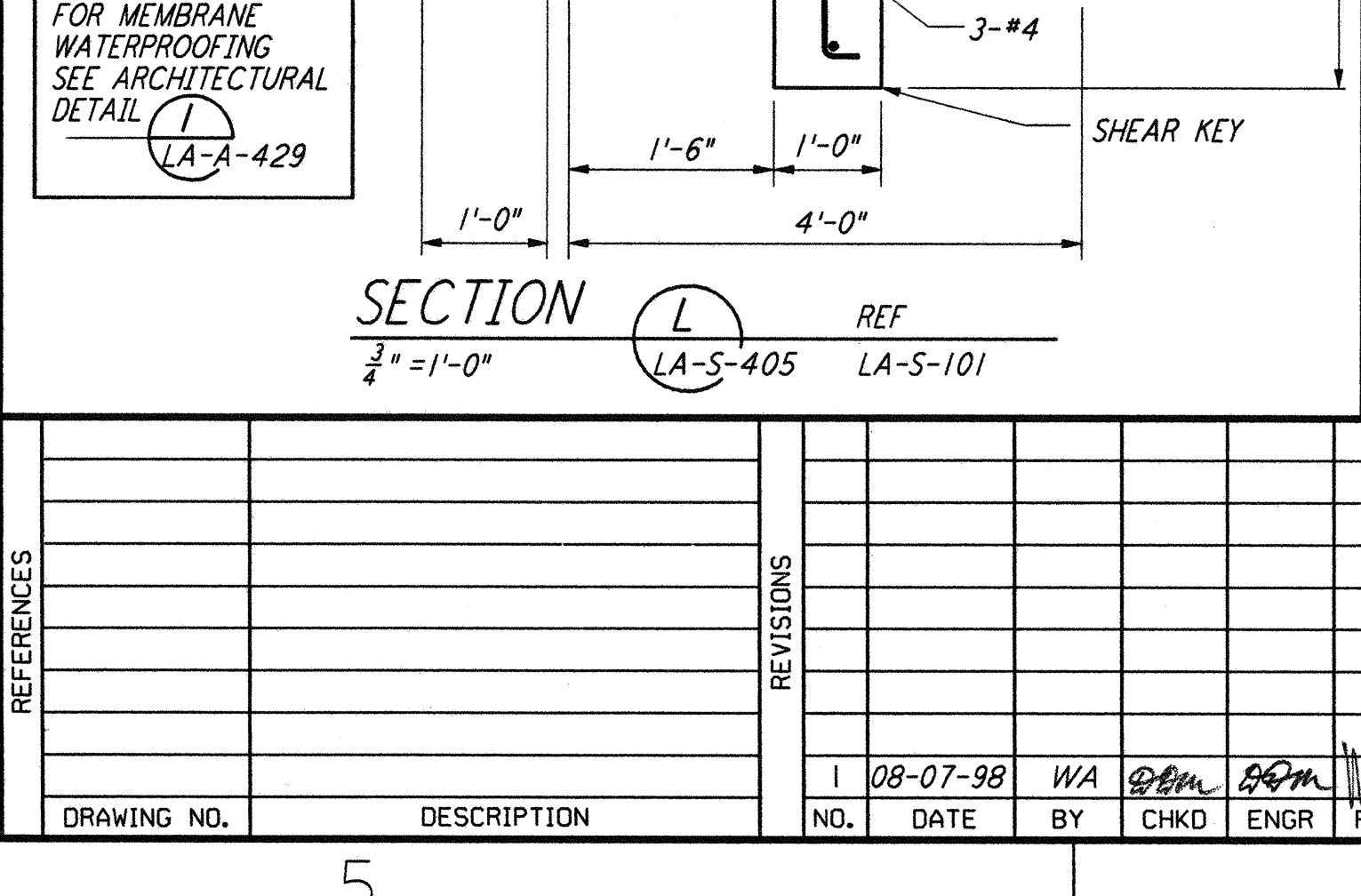
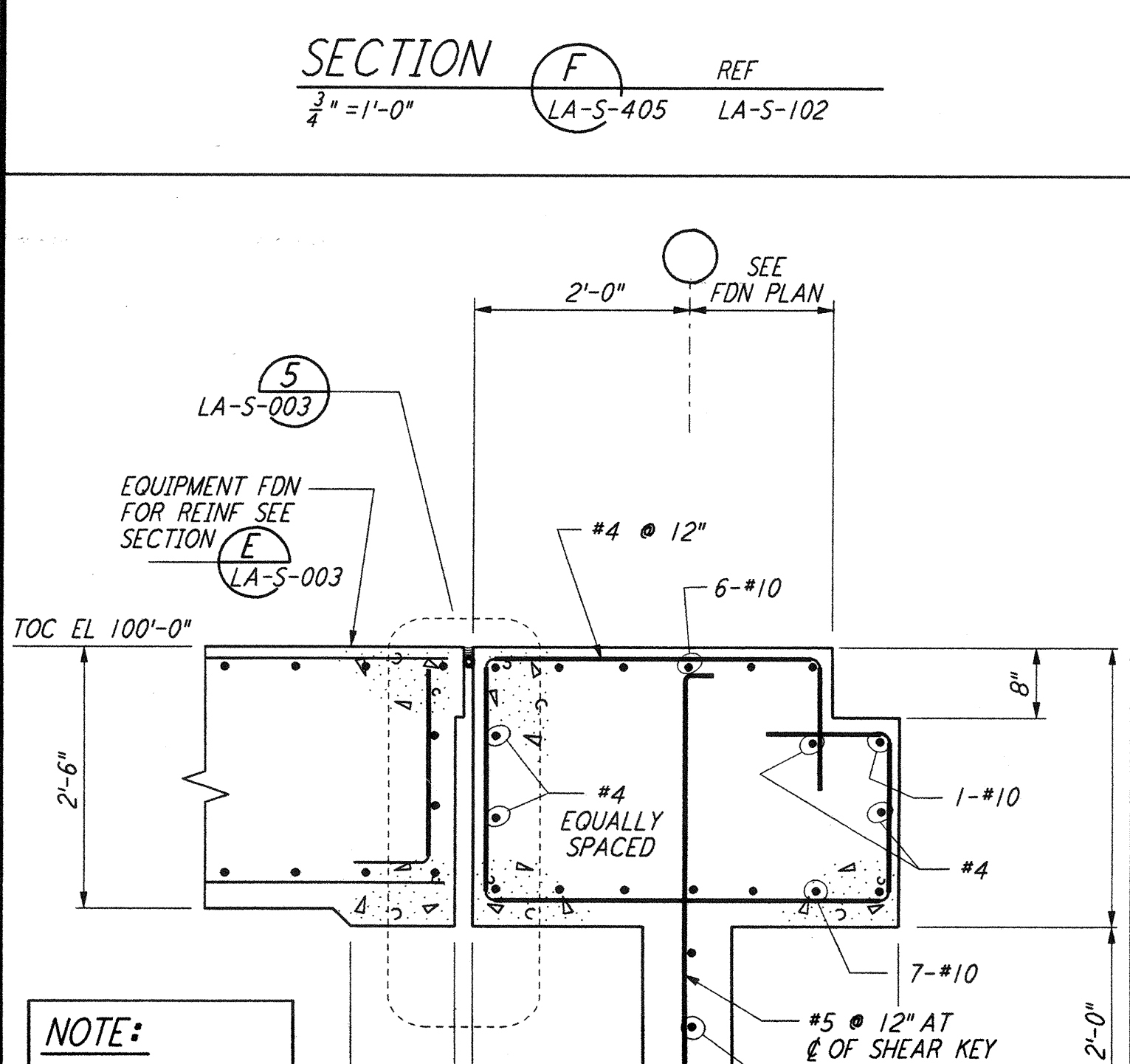
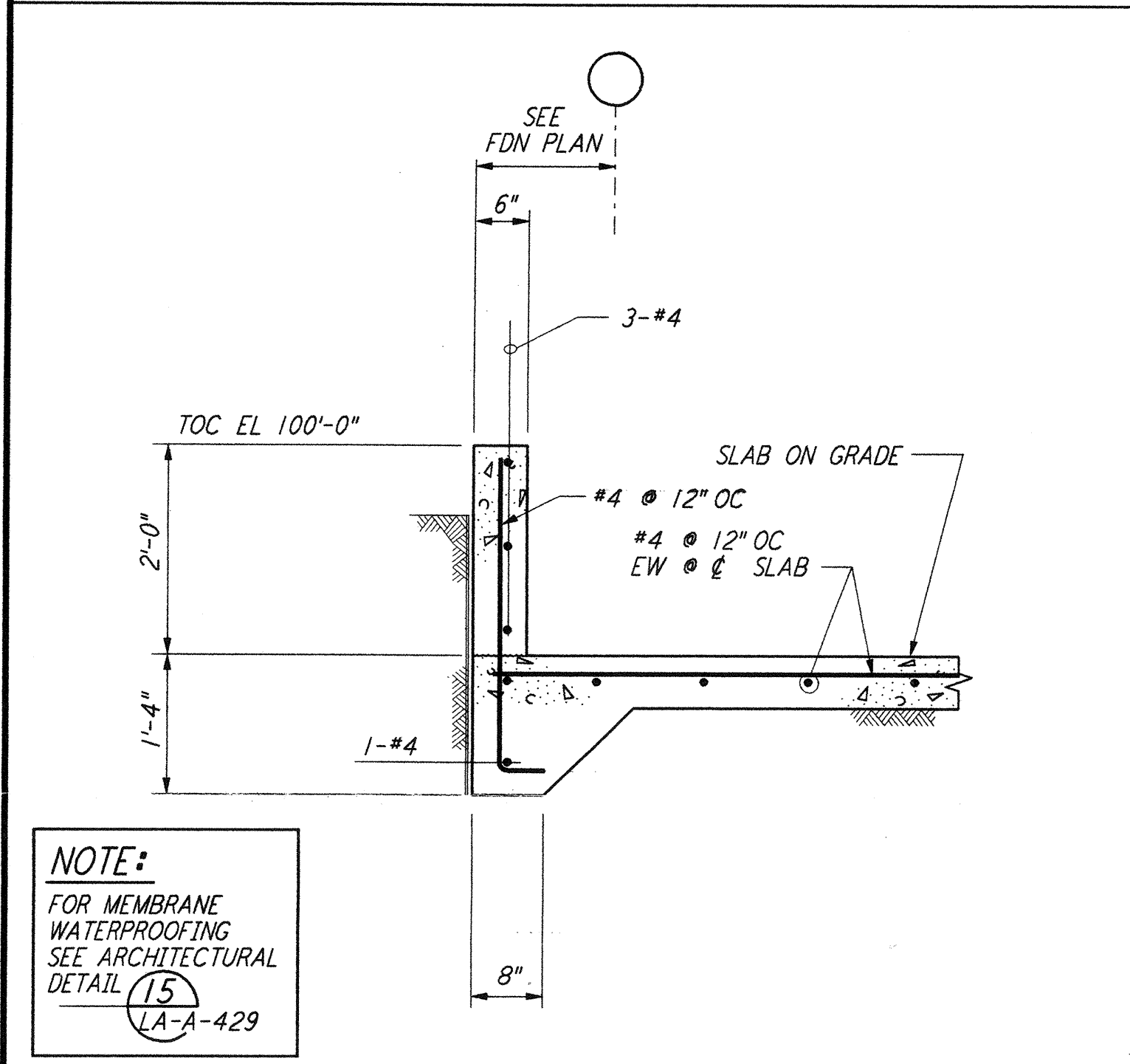
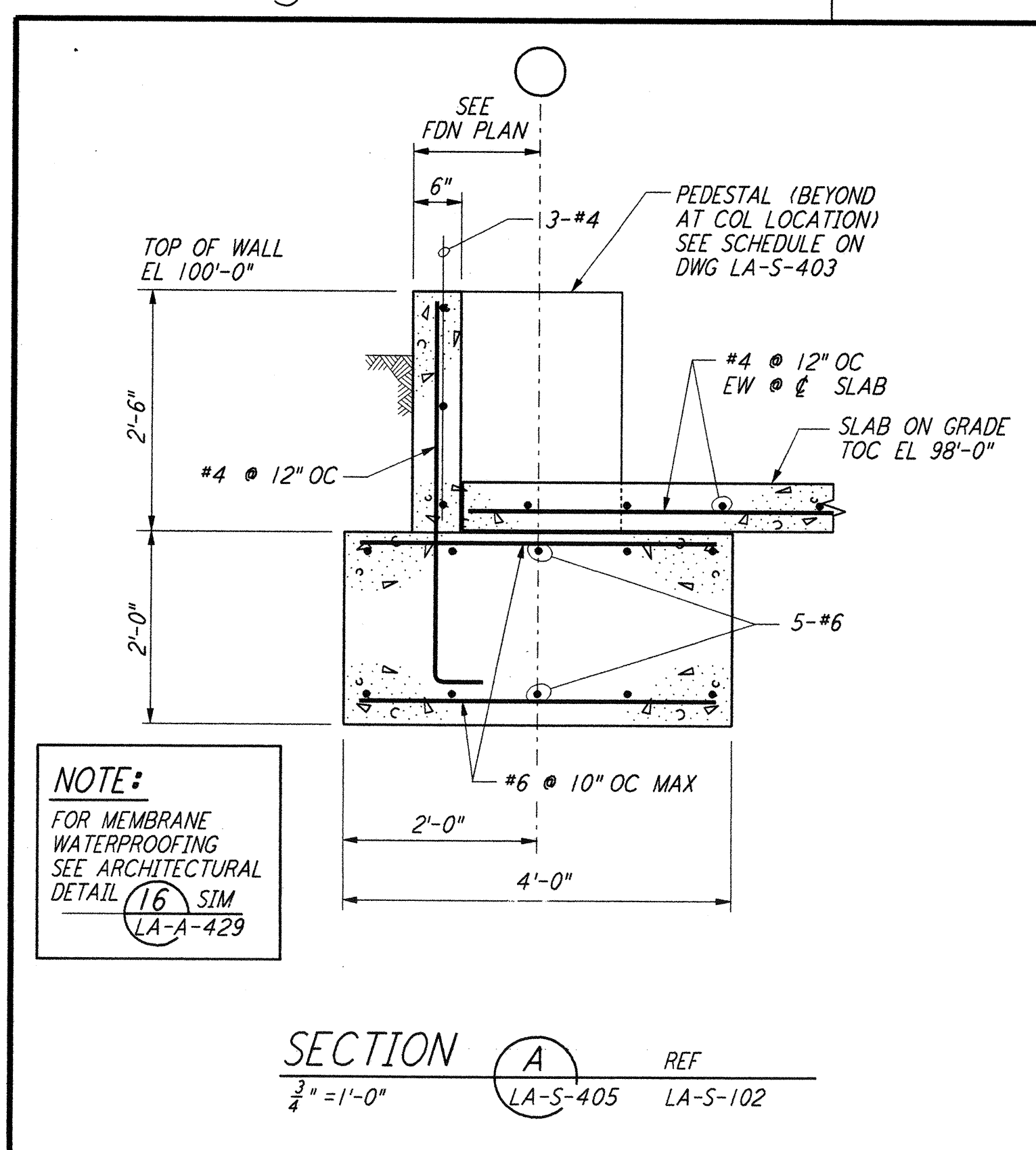


This document and the design it covers are the property of PARSONS. They are loaned only with the borrower's expressed written agreement that they will not be reproduced, copied, loaned, exhibited, or used in any other way except by written consent from PARSONS to the borrower.



NO.	DATE	BY	CHKD	ENGR	PROJ	DESCRIPTION
1	08-07-98	WA	DM	DM		ISSUED FOR AS-BUILT

NO.	DATE	BY	CHKD	ENGR	PROJ	DESCRIPTION
1	08-07-98	WA	DM	DM		ISSUED FOR AS-BUILT

ISSUED FOR CONSTRUCTION  
 DRAWN MCS 11-15-96  
 CHECKED DDM 11-15-96  
 ENGINEER BP 11-15-96  
 PROJ TDM 11-15-96

**AS-BUILT DRAWINGS**

100 WEST WALNUT STREET  
 PASADENA, CALIFORNIA

**PARSONS**

**LIGO**  
 CALIFORNIA INSTITUTE OF TECHNOLOGY  
 MASSACHUSETTS INSTITUTE OF TECHNOLOGY

**LIGO-D960957-01-0**

LASER INTERFEROMETER  
 GRAVITATIONAL-WAVE OBSERVATORY  
 SITE NO. 2 - LIVINGSTON, LOUISIANA

STRUCTURAL FOUNDATION SECTIONS & DETAILS SHEET I

AS NOTED PP150969 8094  
**LA-S-405**