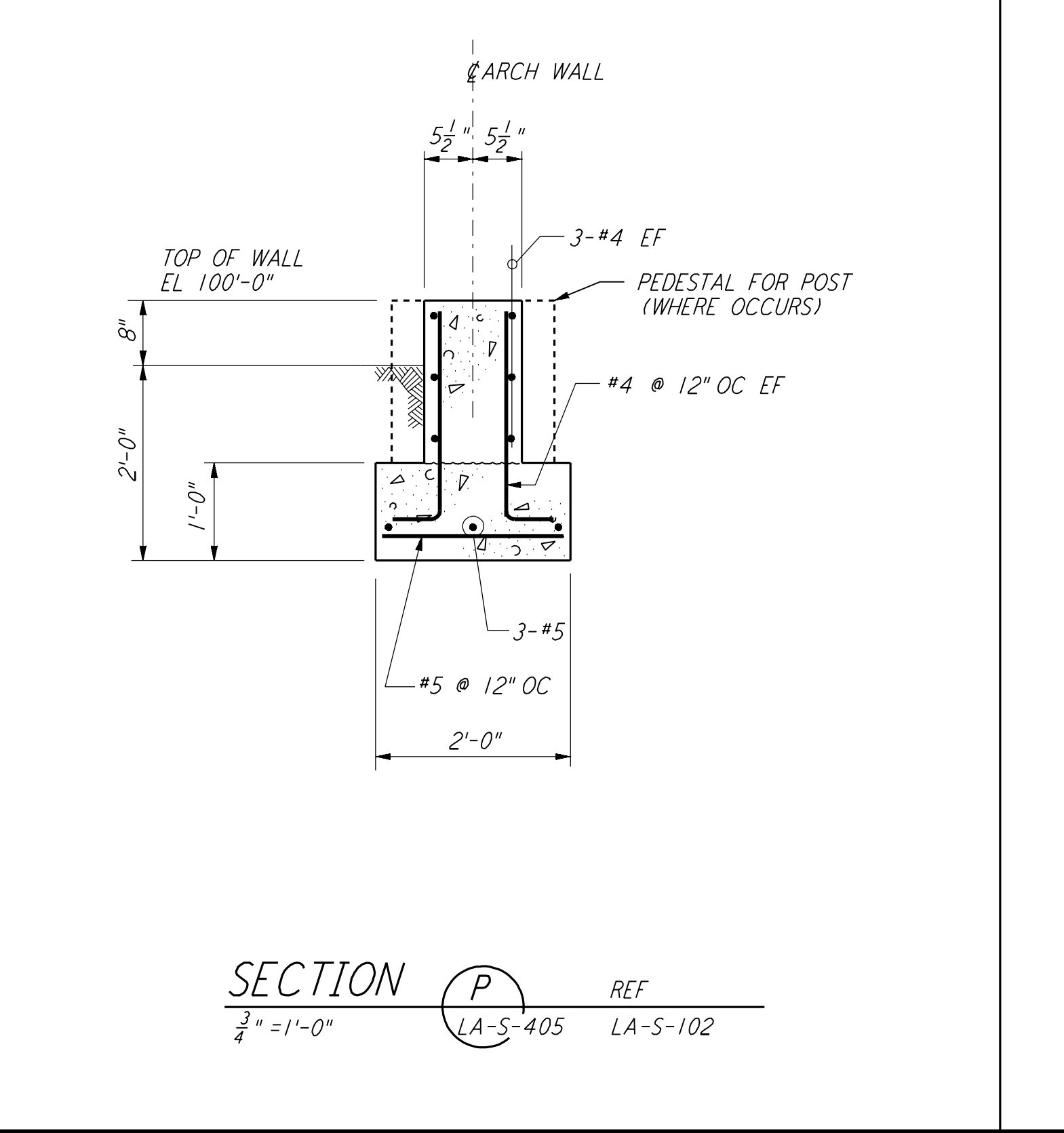
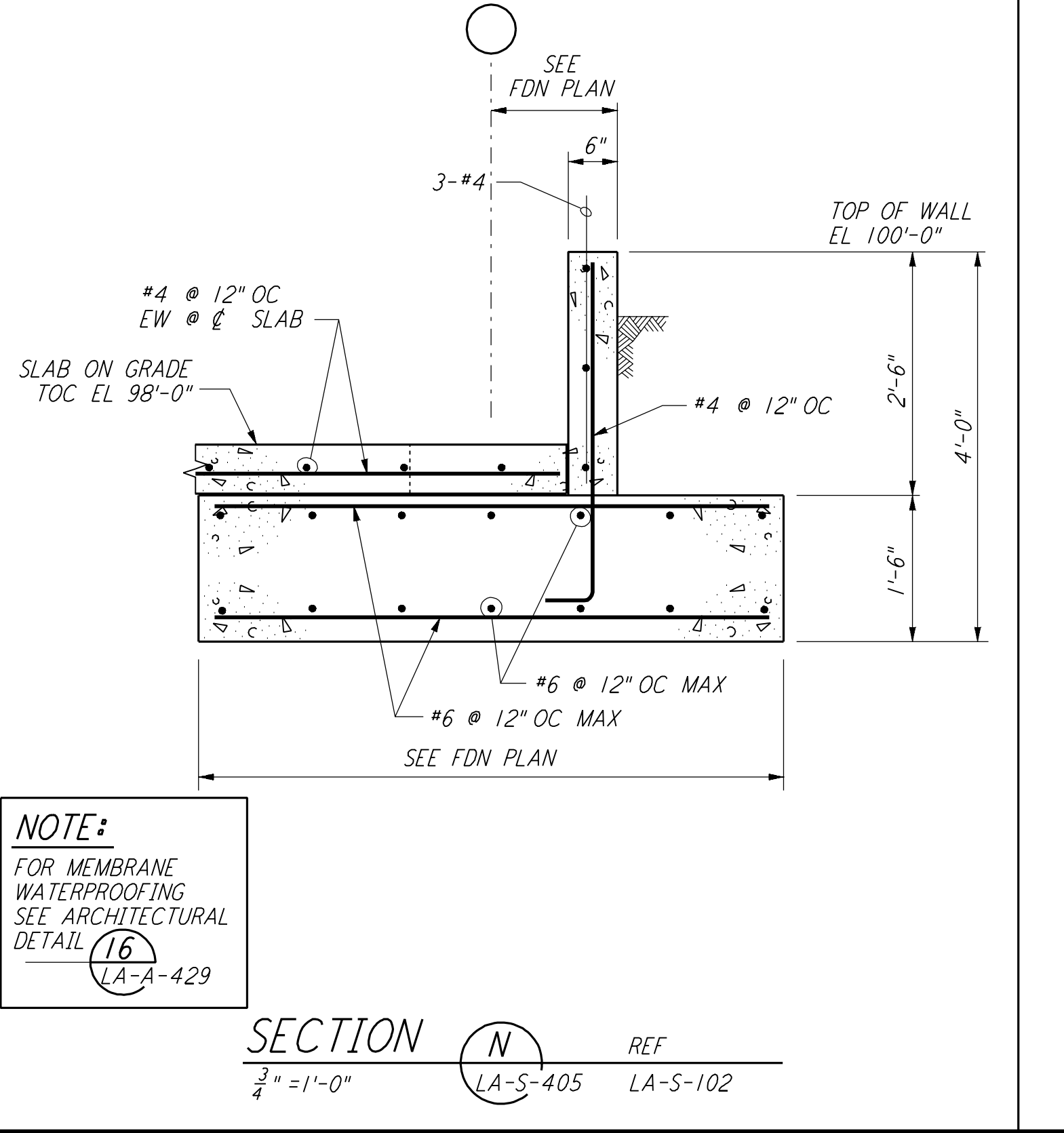
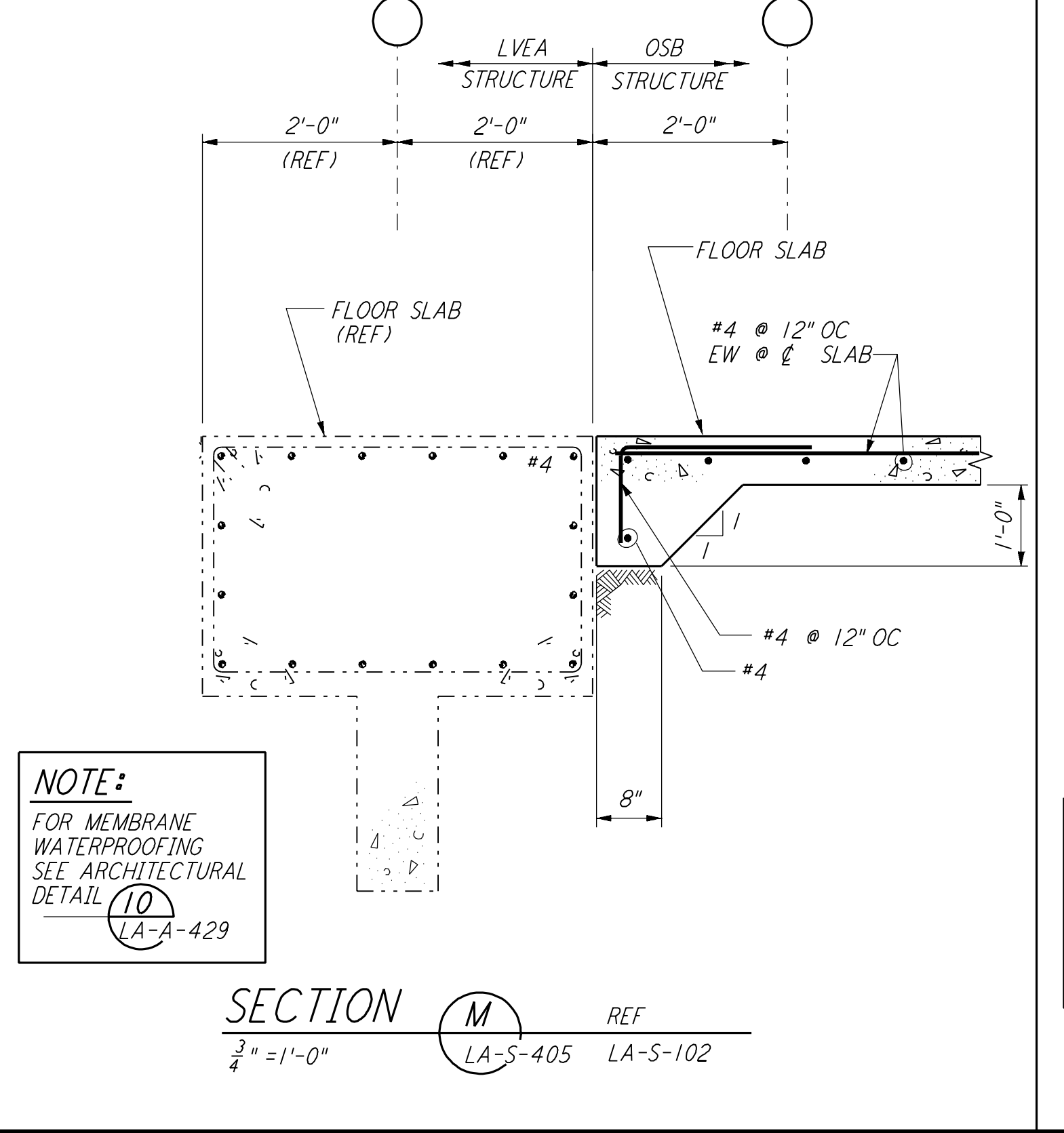
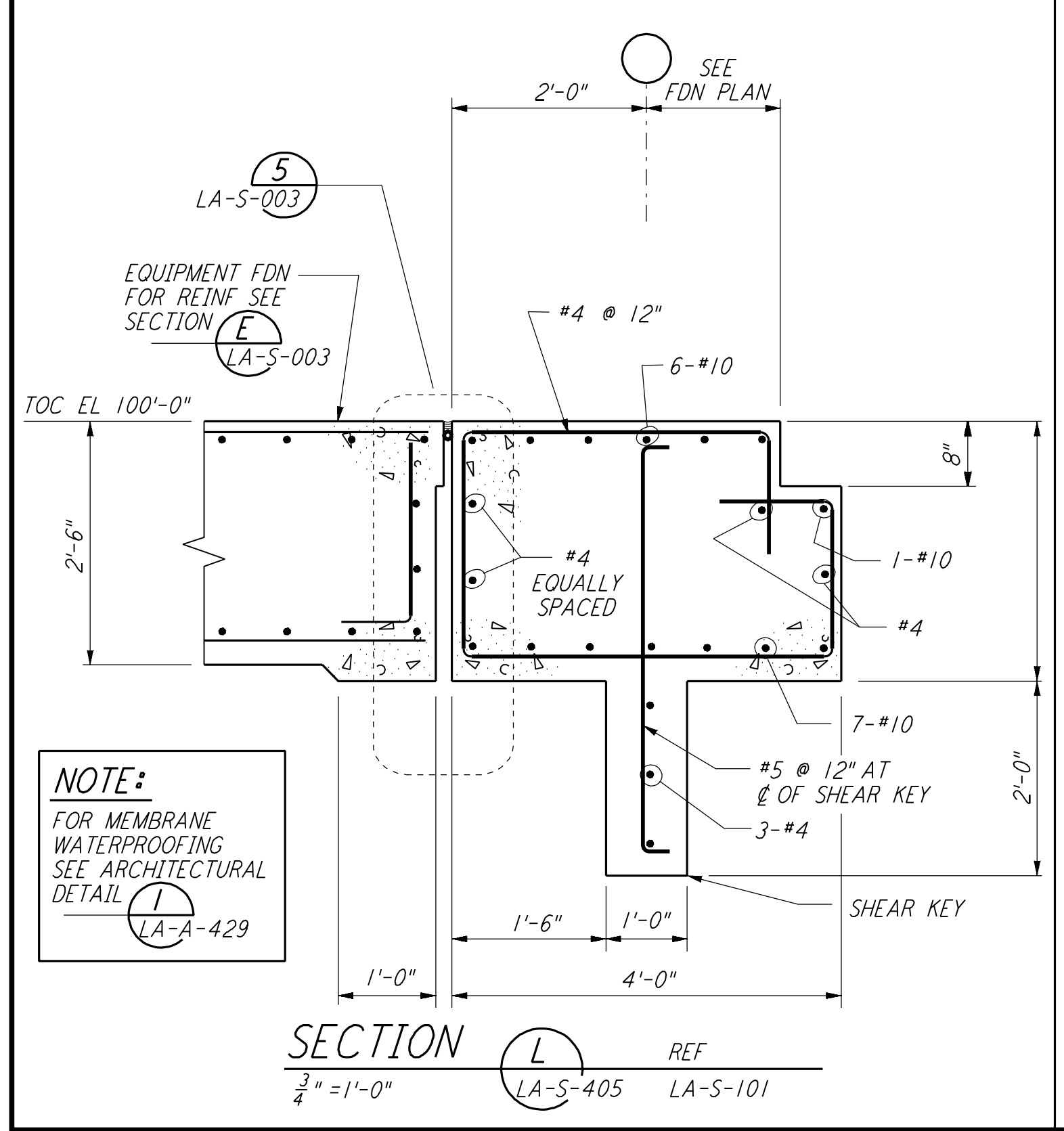
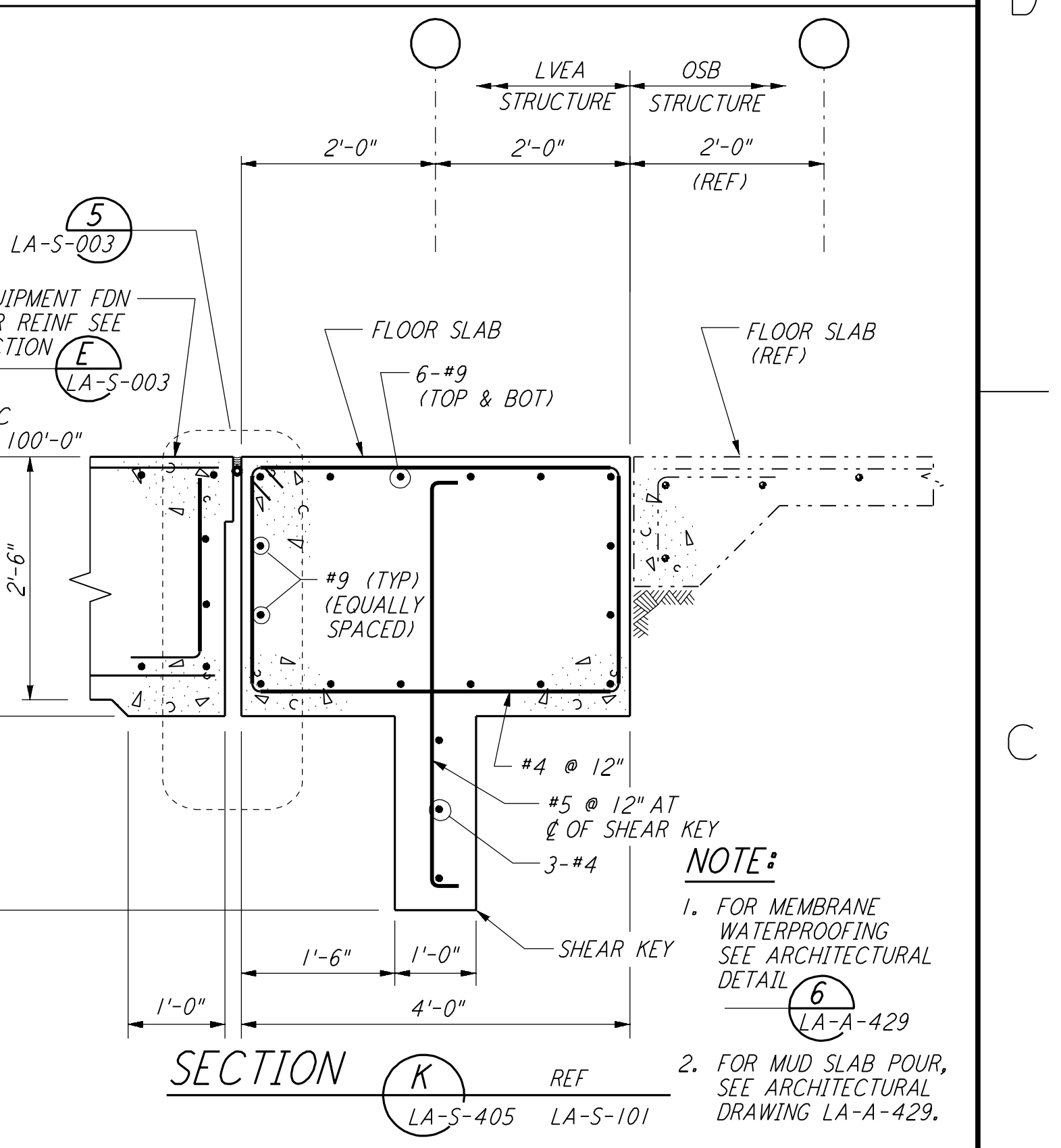
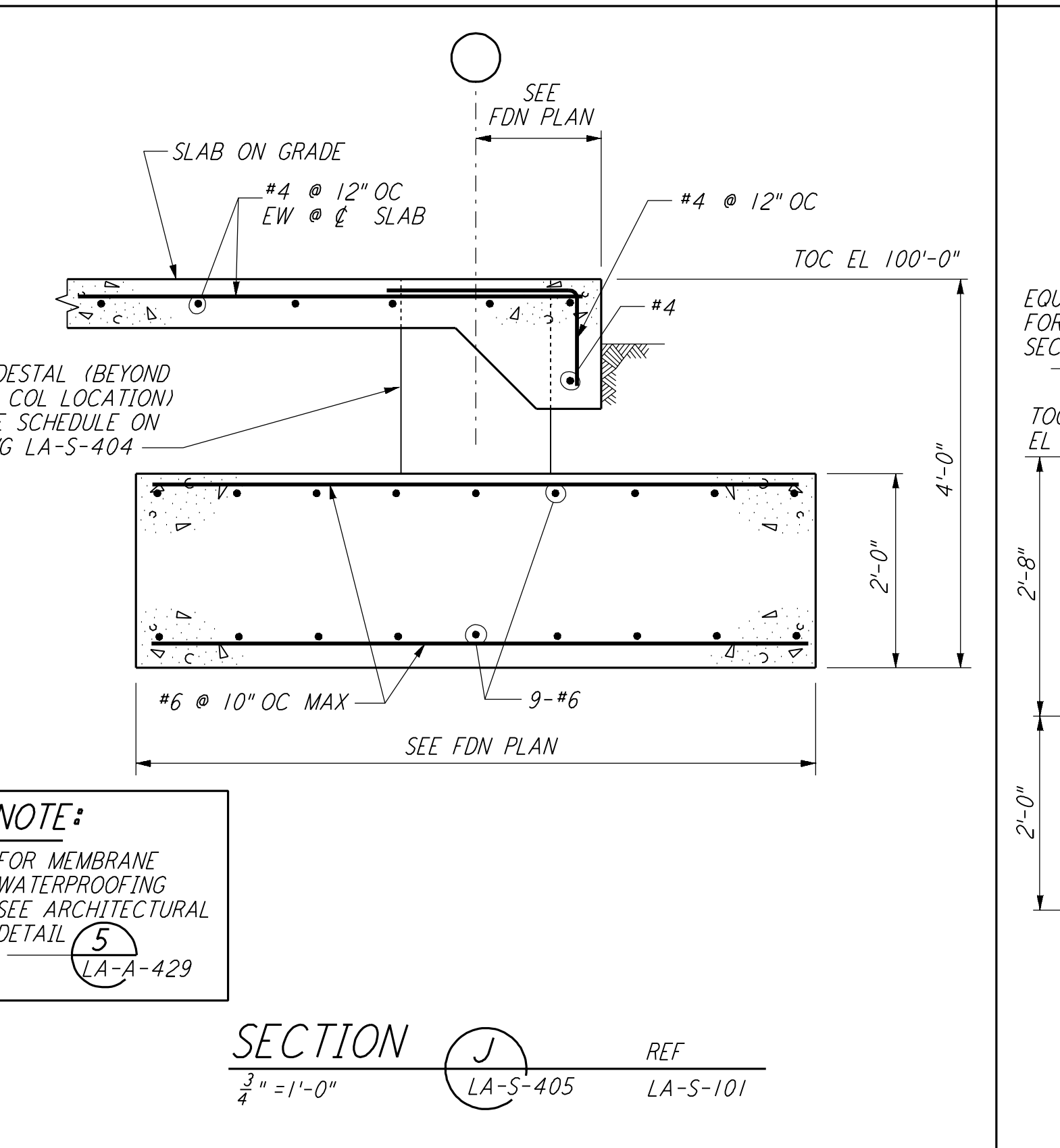
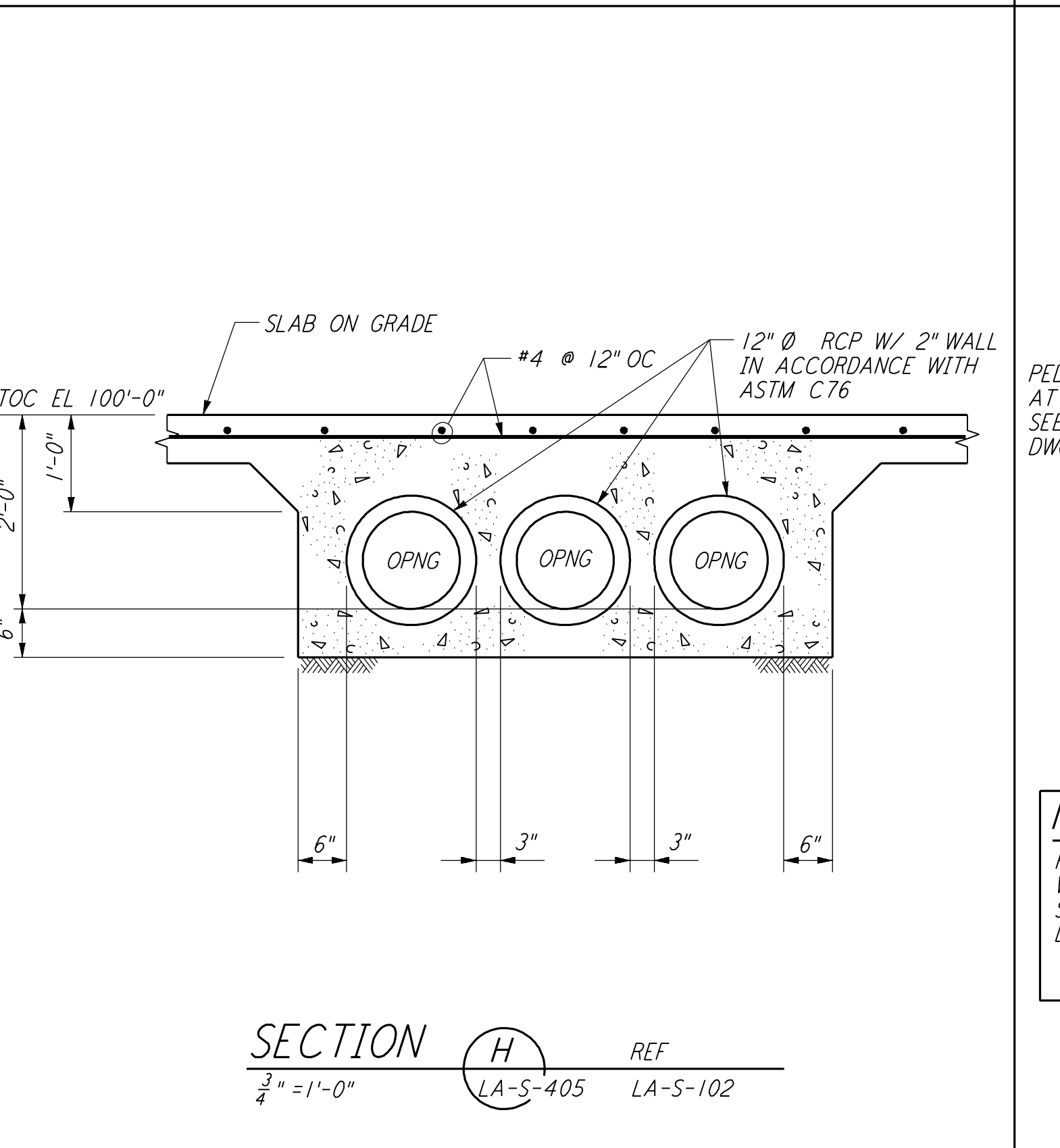
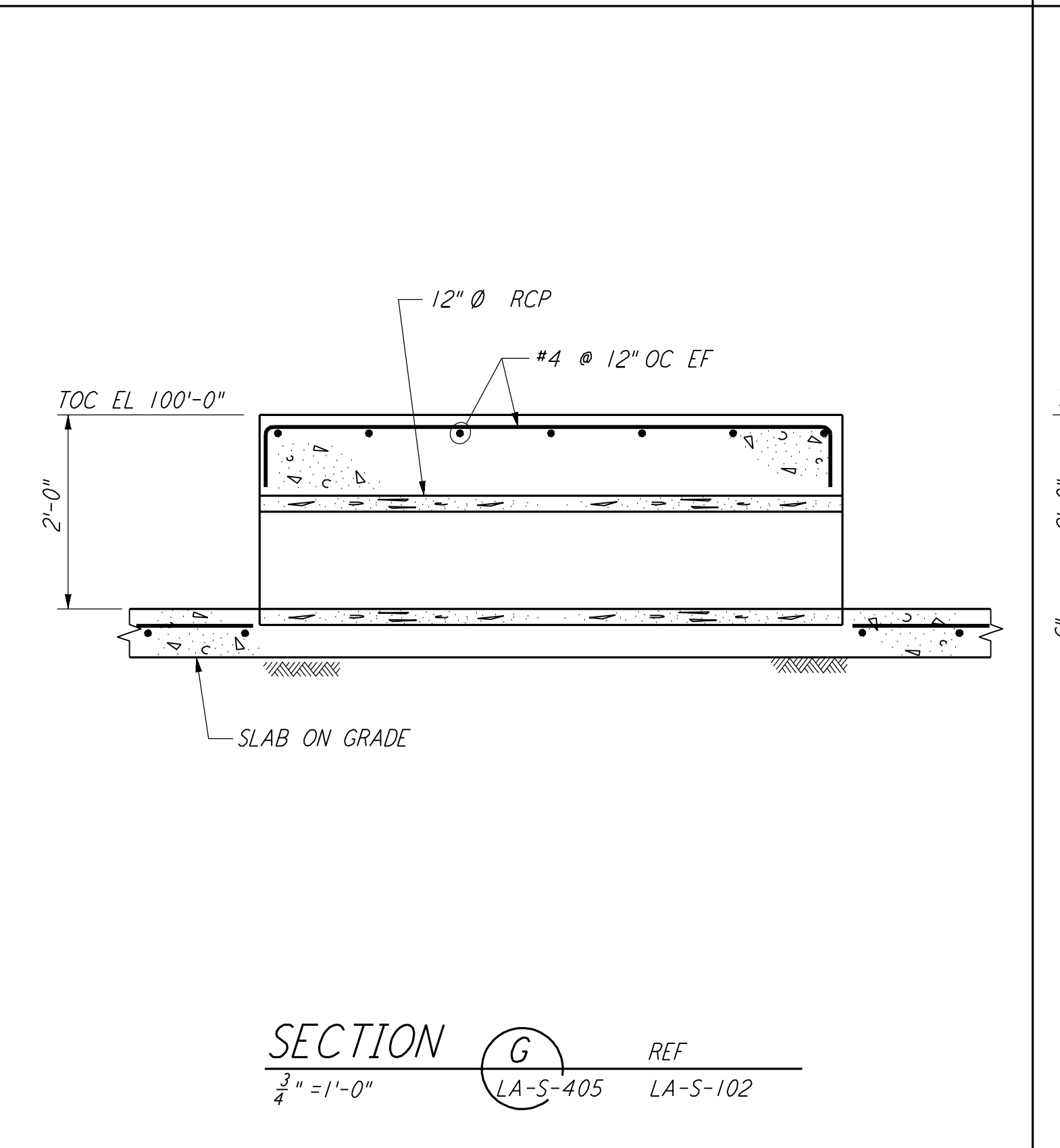
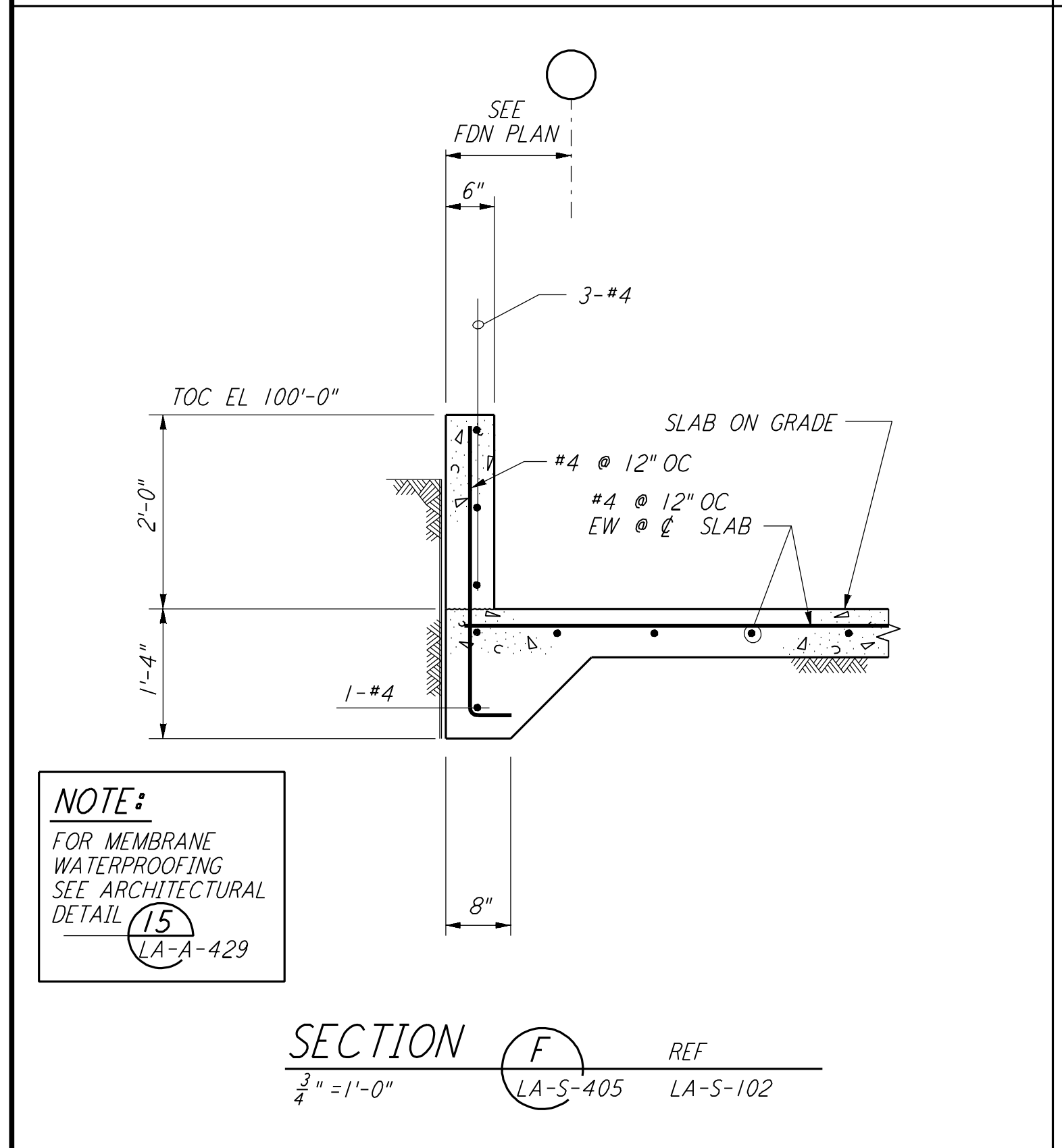
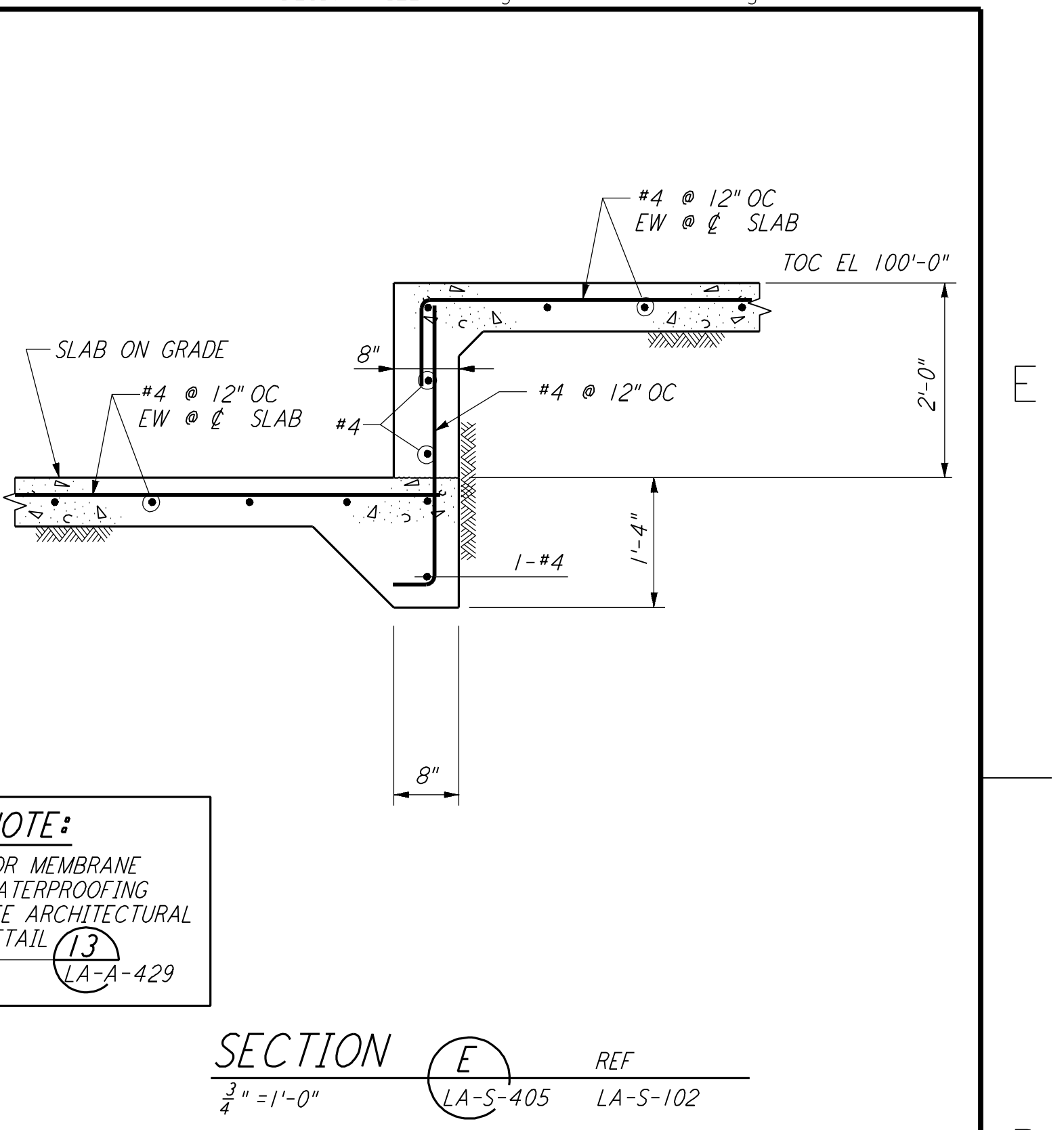
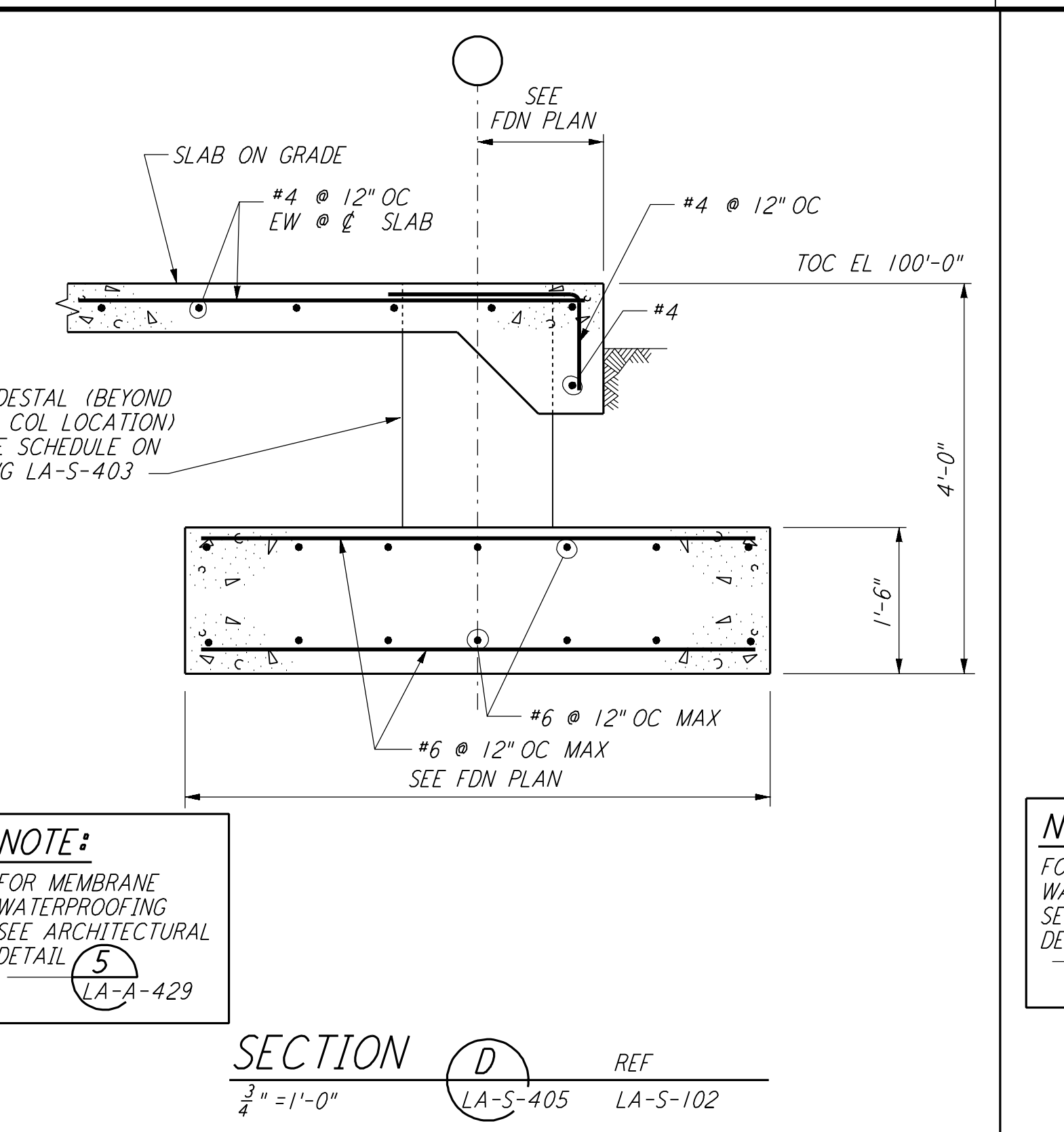
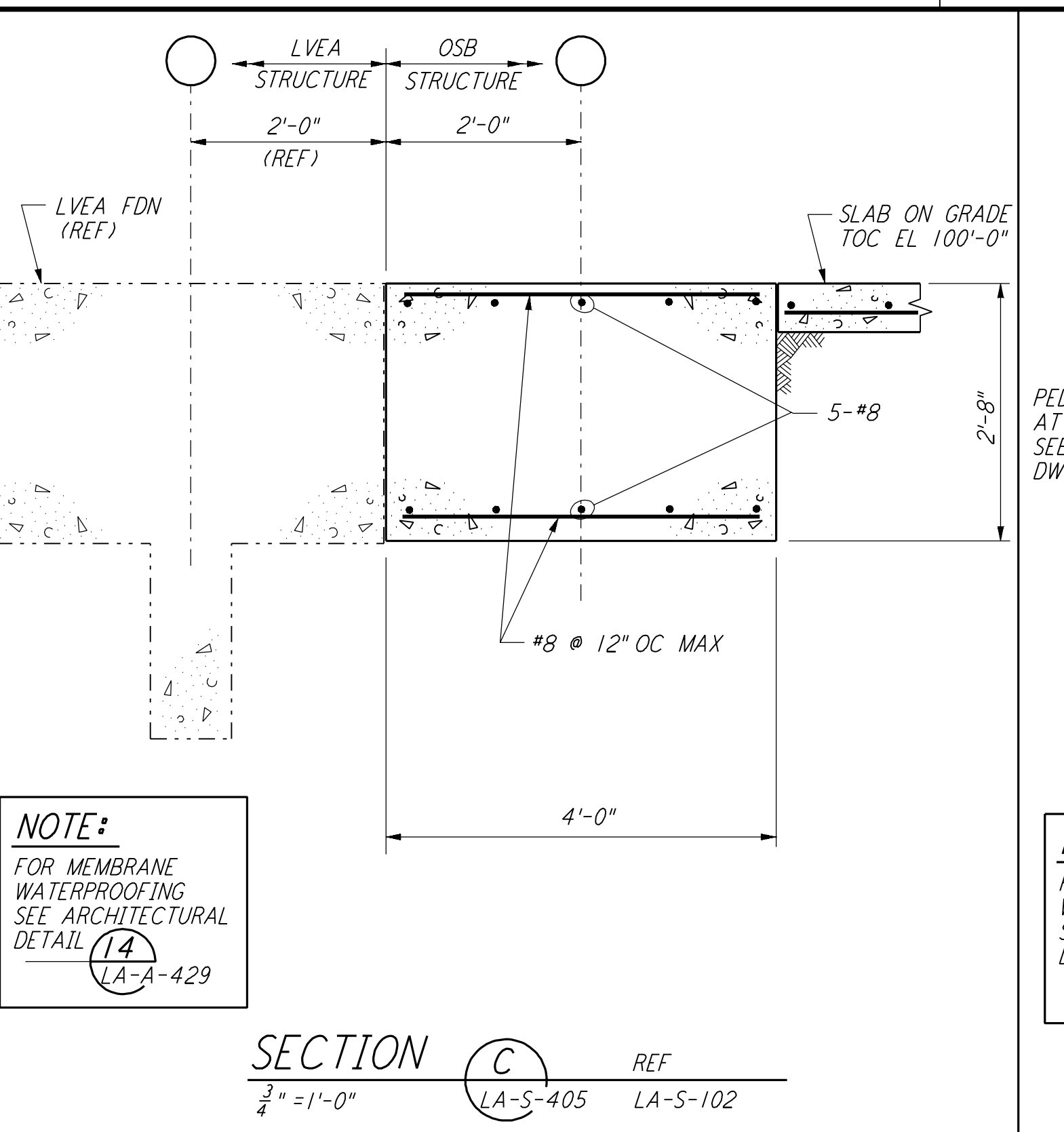
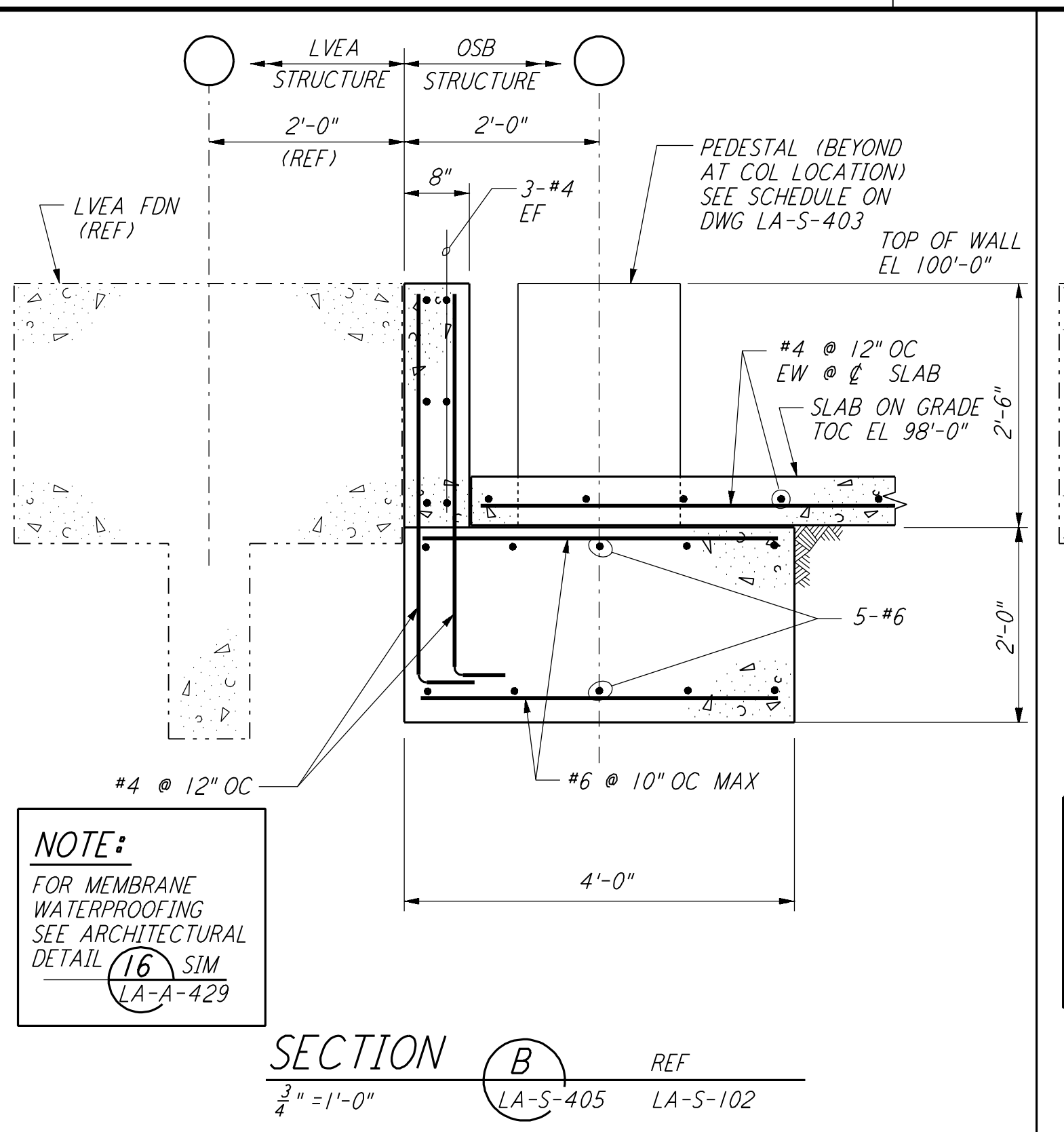
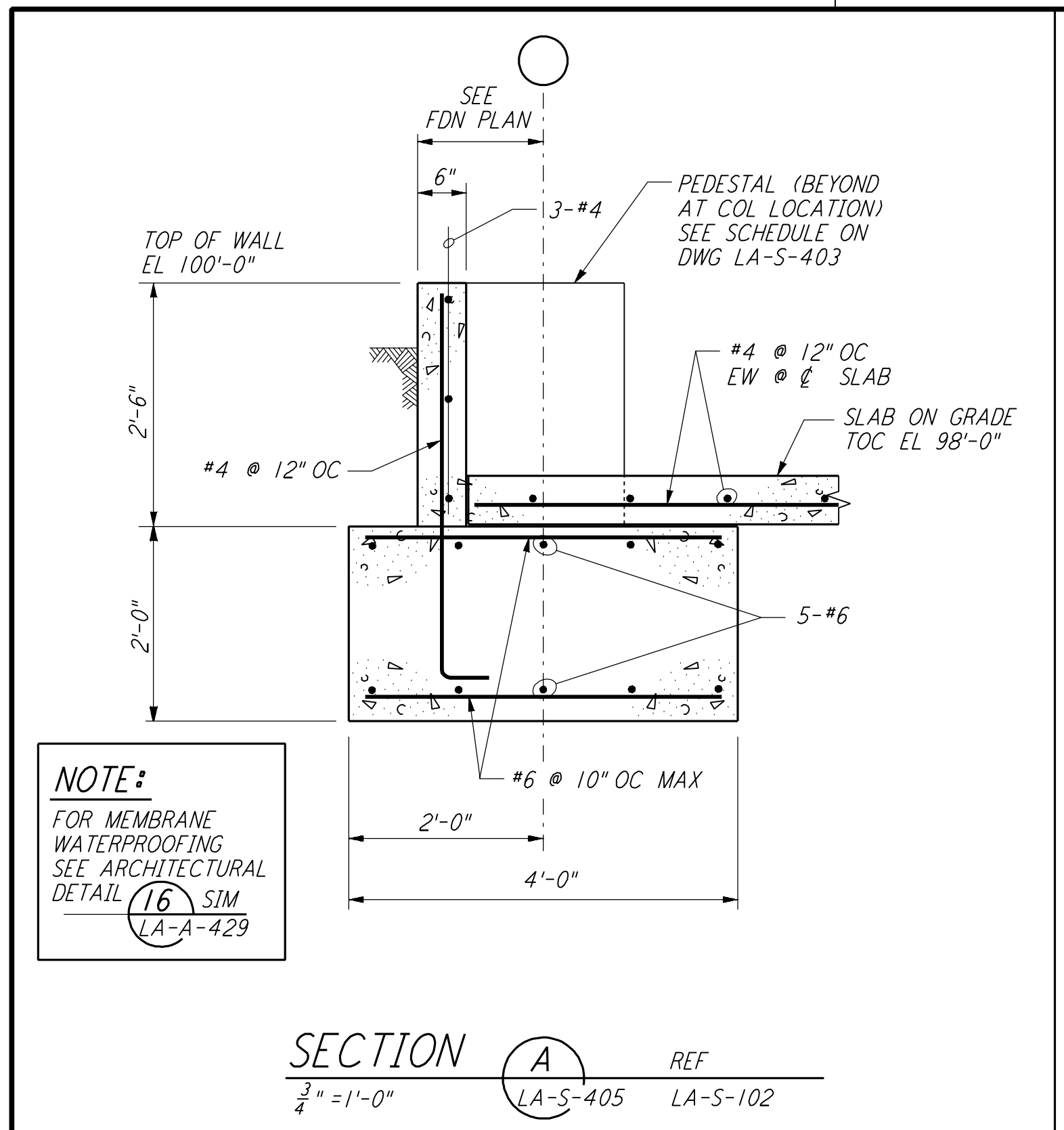


This document and the design it covers are the property of PARSONS. They are loaned only with the borrower's expressed written agreement that they will not be reproduced, copied, loaned, exhibited, or used in any other way, except by written consent from PARSONS to the borrower.



NO.	DATE	BY	CHKD	ENGR	PROJ	DESCRIPTION
1	08-07-98	WA				ISSUED FOR AS-BUILT

ISSUED FOR CONSTRUCTION
 DRAWN MCS 11-15-96
 CHECKED DDM 11-15-96
 ENGINEER BP 11-15-96
 PROJ TDM 11-15-96
AS-BUILT DRAWINGS

100 WEST WALNUT STREET
 PASADENA, CALIFORNIA



LASER INTERFEROMETER
 GRAVITATIONAL-WAVE OBSERVATORY
 SITE NO. 2 - LIVINGSTON, LOUISIANA

TITLE	STRUCTURAL FOUNDATION SECTIONS & DETAILS SHEET 1	SCALE	AS NOTED	CONTRACT NUMBER	PP150969	PROJECT NUMBER	8094
SHEET NUMBER	LA-S-405	REVISIONS					