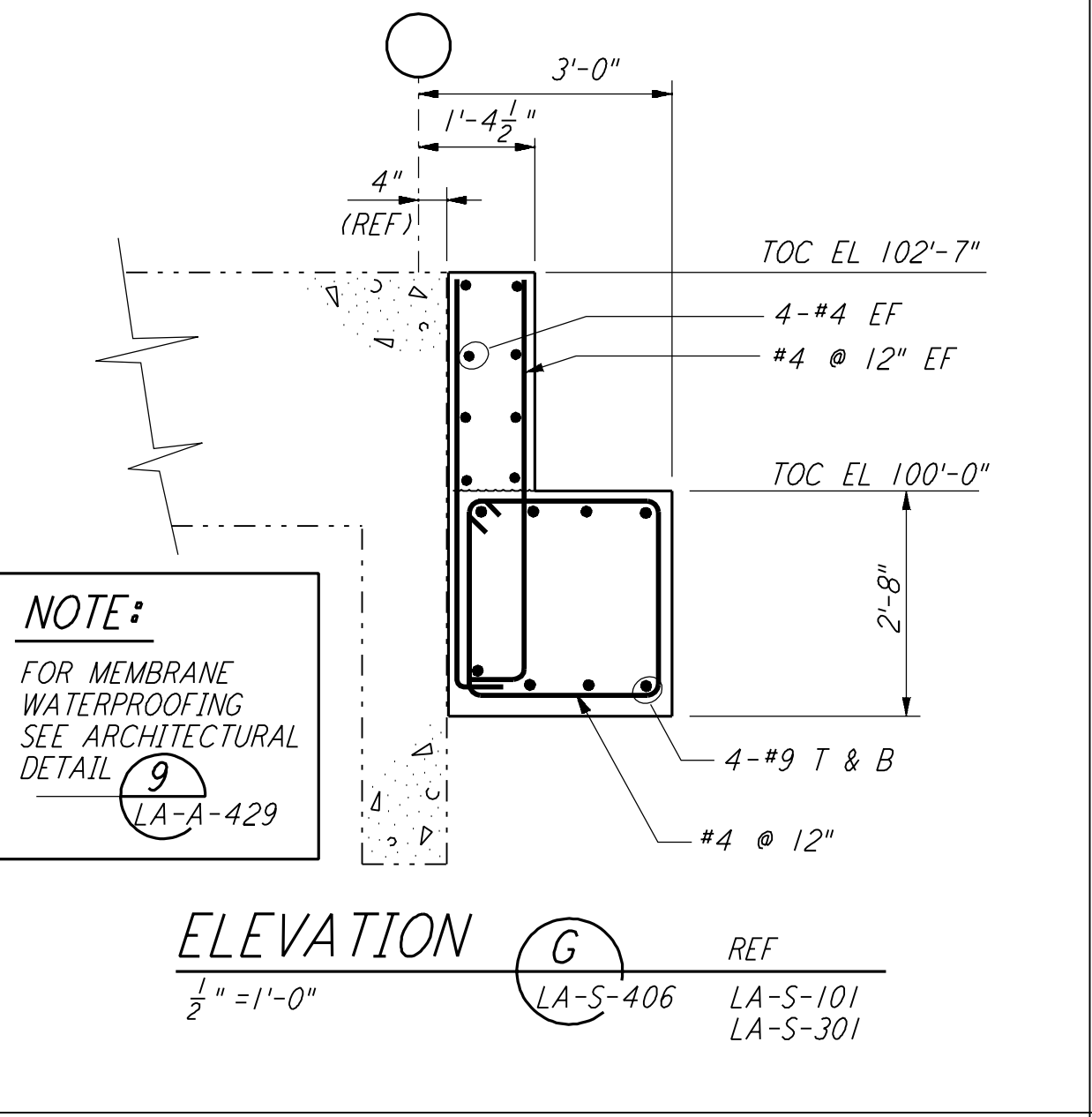
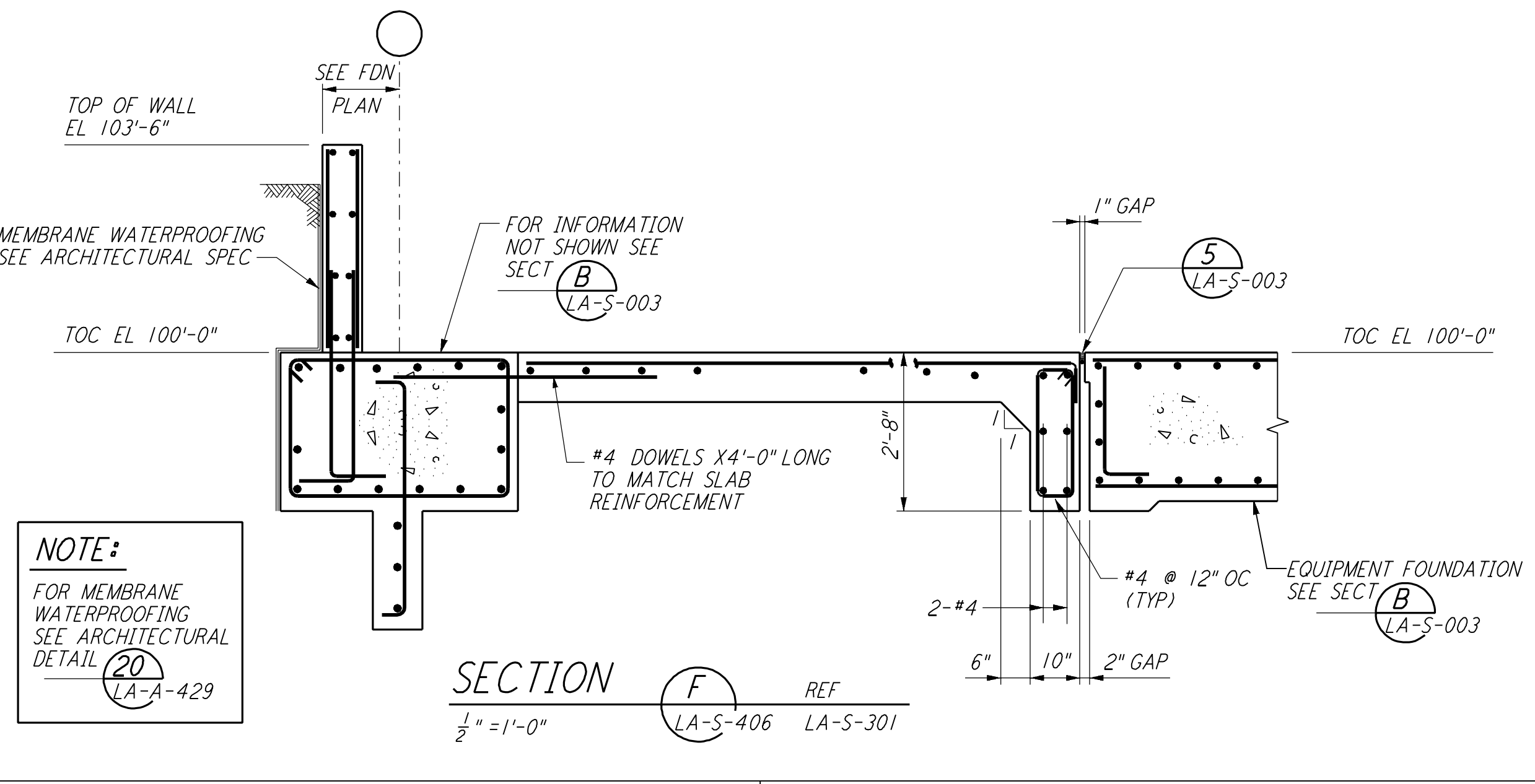
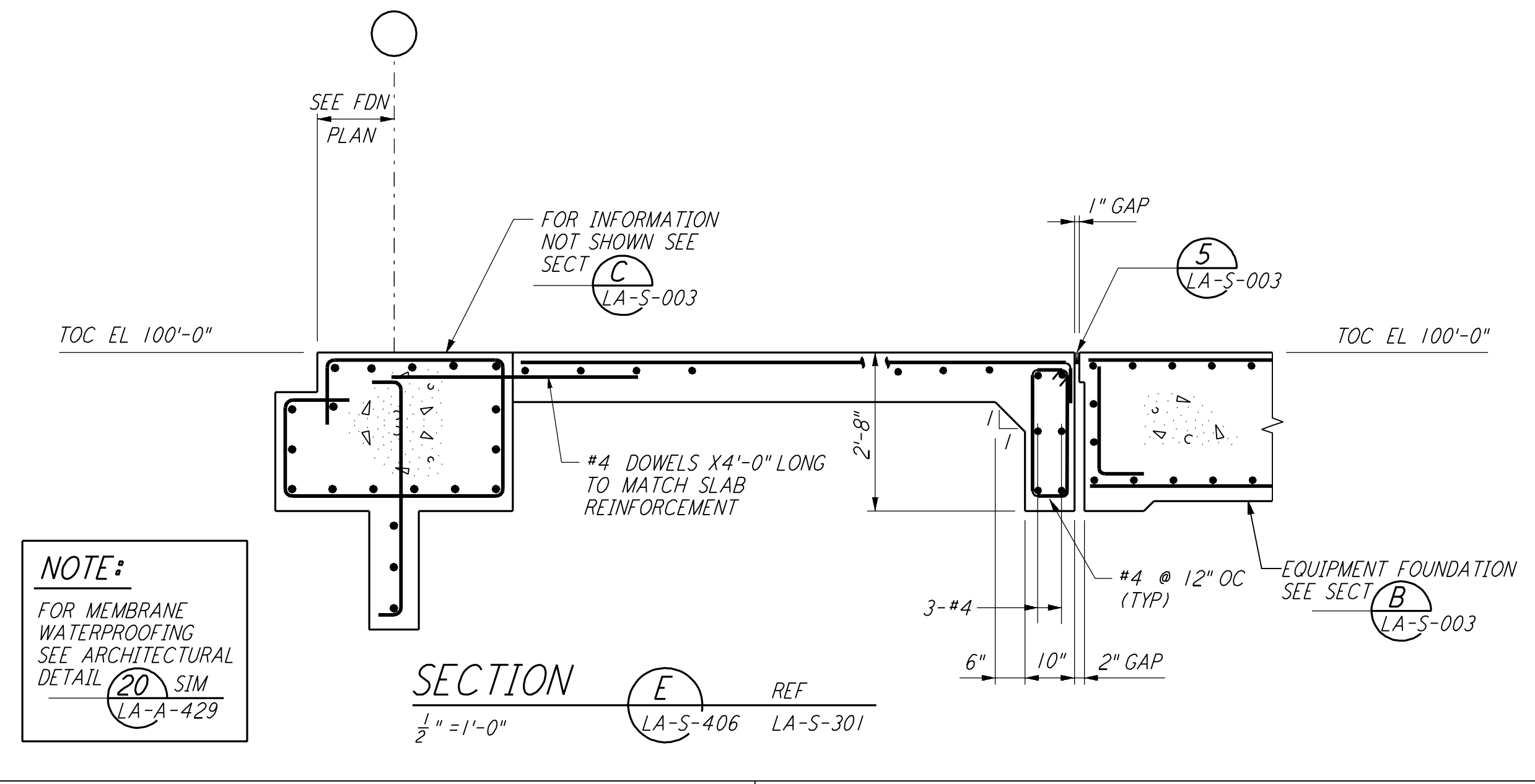
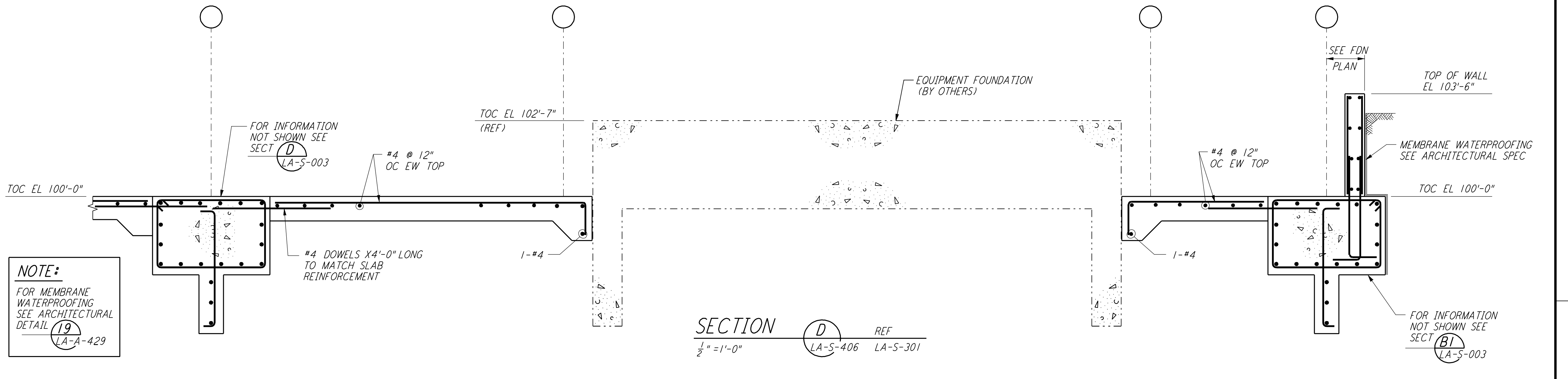
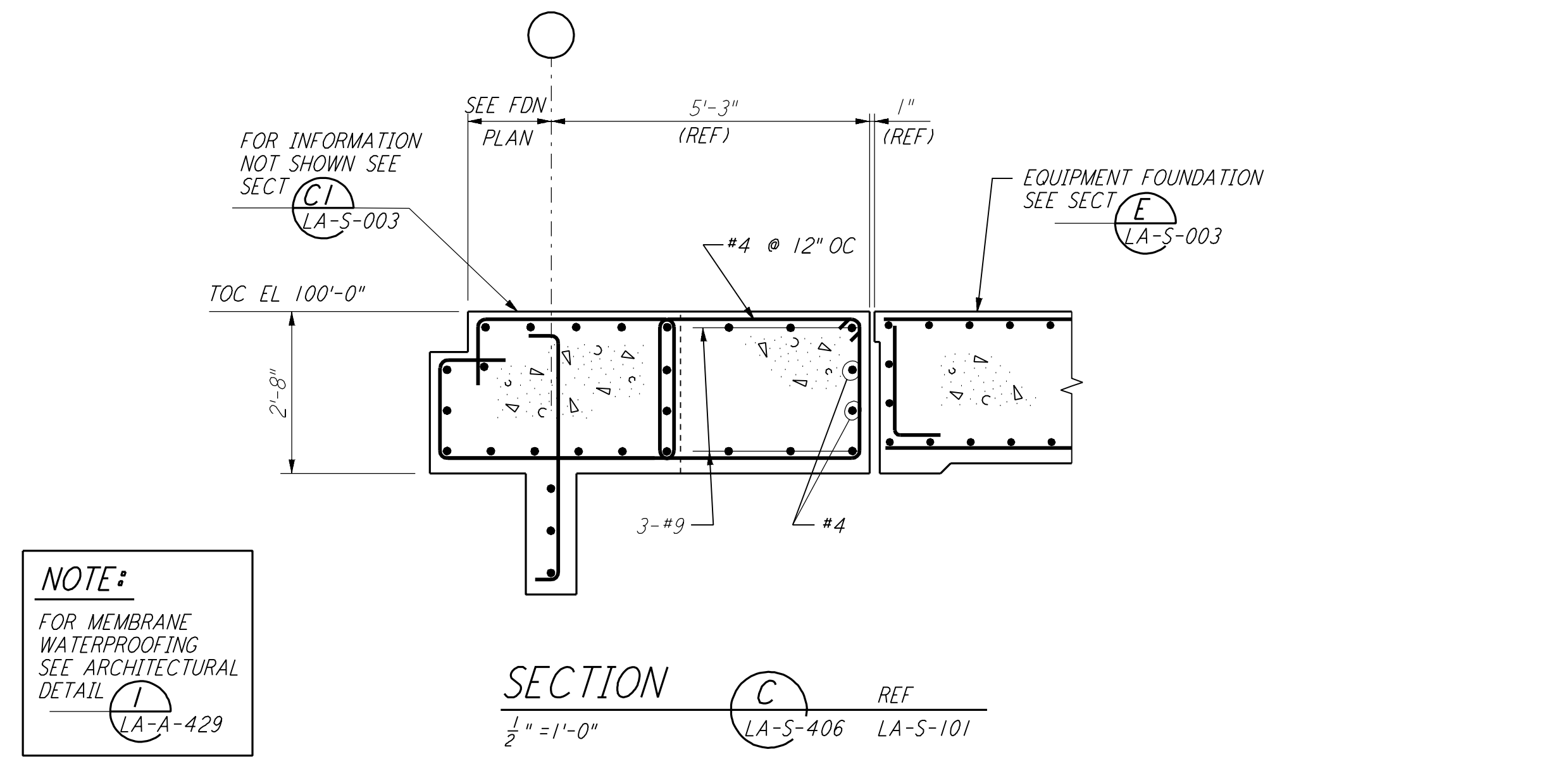
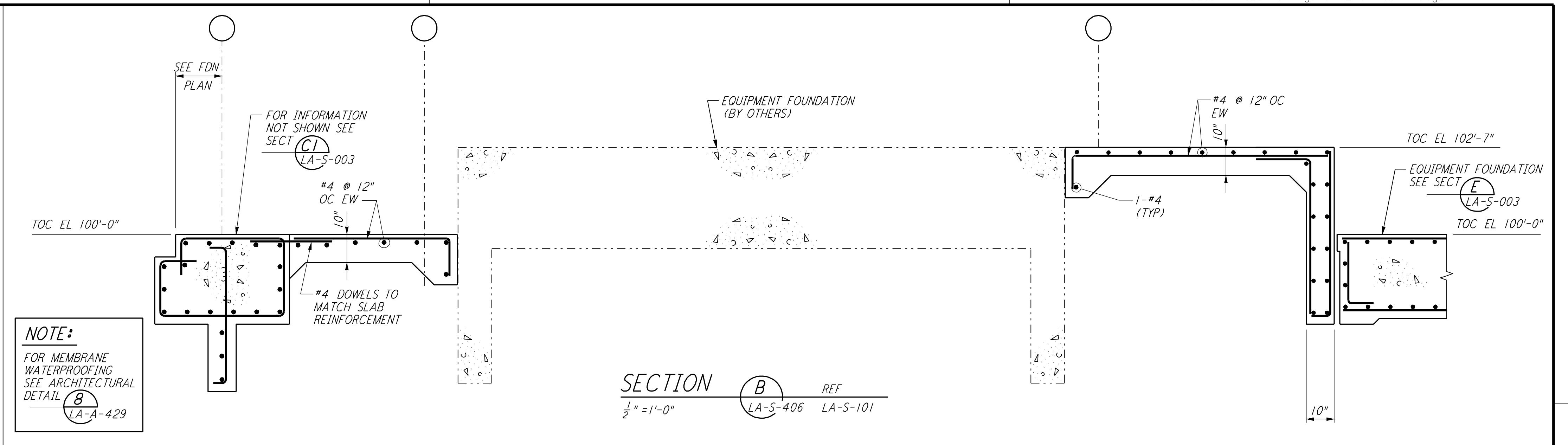
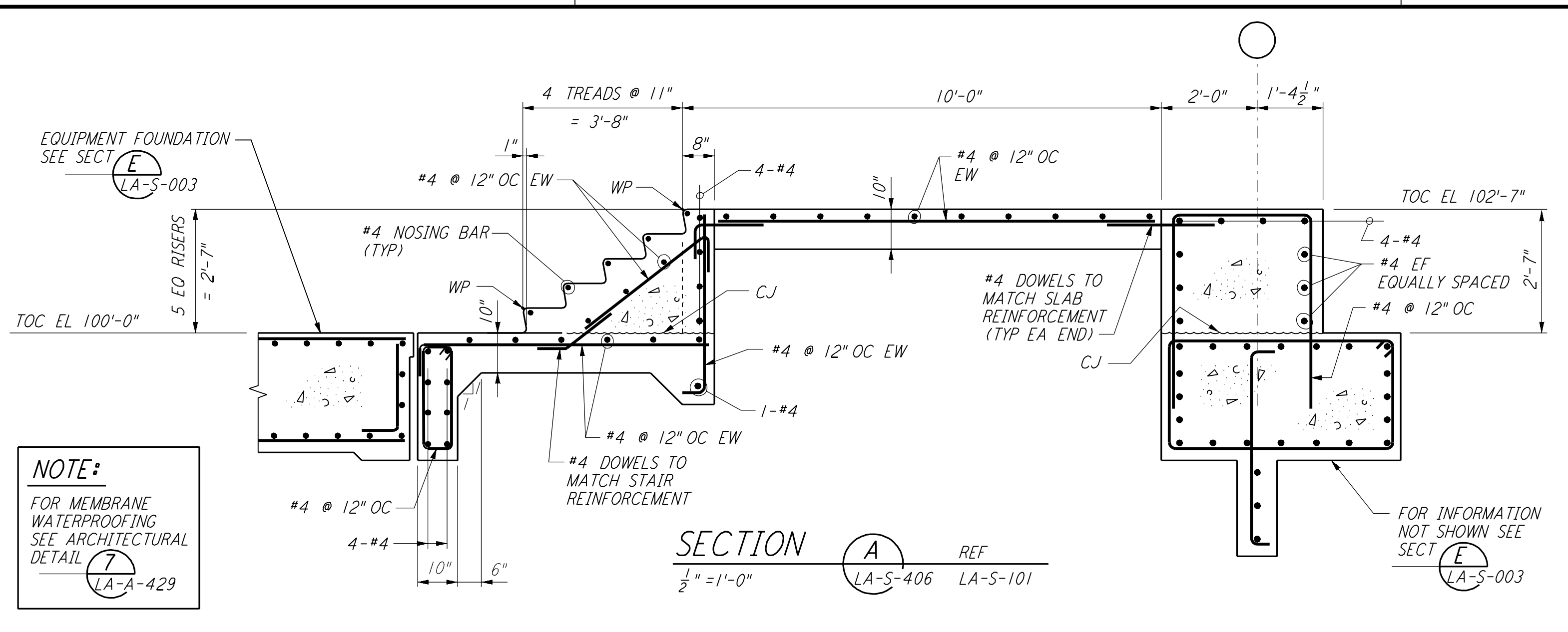


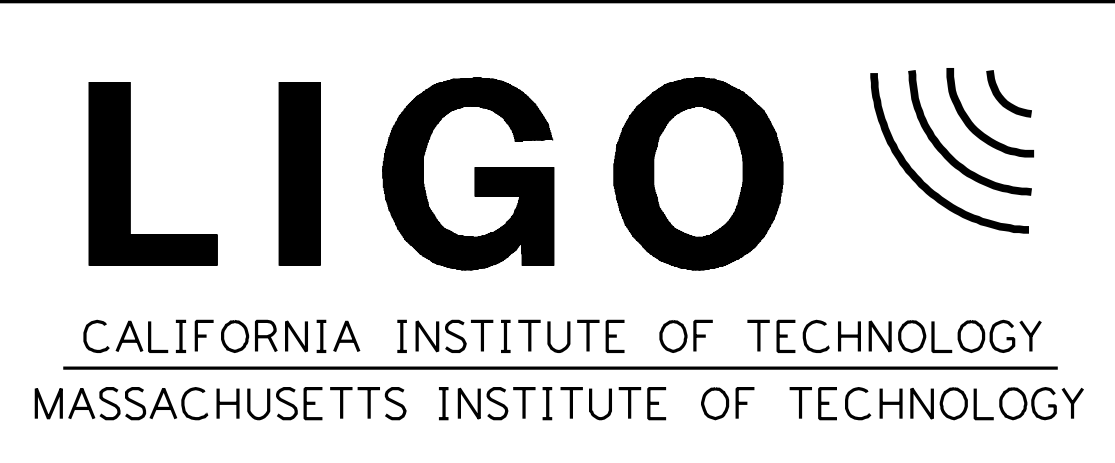
This document and the design it covers are the property of PARSONS. They are loaned only with the borrower's expressed written agreement that they will not be reproduced, copied, loaned, exhibited, or used in any other way, except by written consent from PARSONS to the borrower.



NO.	DATE	BY	CHKD	ENGR	PROJ	DESCRIPTION
1	08-07-98	WA				ISSUED FOR AS-BUILT

ISSUED FOR CONSTRUCTION		
DRAWN	MCS	11-15-96
CHECKED	DDM	11-15-96
ENGINEER	BP	11-15-96
PROJ	TDM	11-15-96

AS-BUILT DRAWINGS



LASER INTERFEROMETER GRAVITATIONAL-WAVE OBSERVATORY SITE NO. 2 - LIVINGSTON, LOUISIANA			
TITLE	SCALE	CONTRACT NUMBER	PROJECT NUMBER
STRUCTURAL FOUNDATION SECTIONS & DETAILS SHEET 2	AS NOTED	PP150969	8094
SHEET NUMBER		REVISIONS	
LA-S-406		1	

LIGO-D960958-01-O