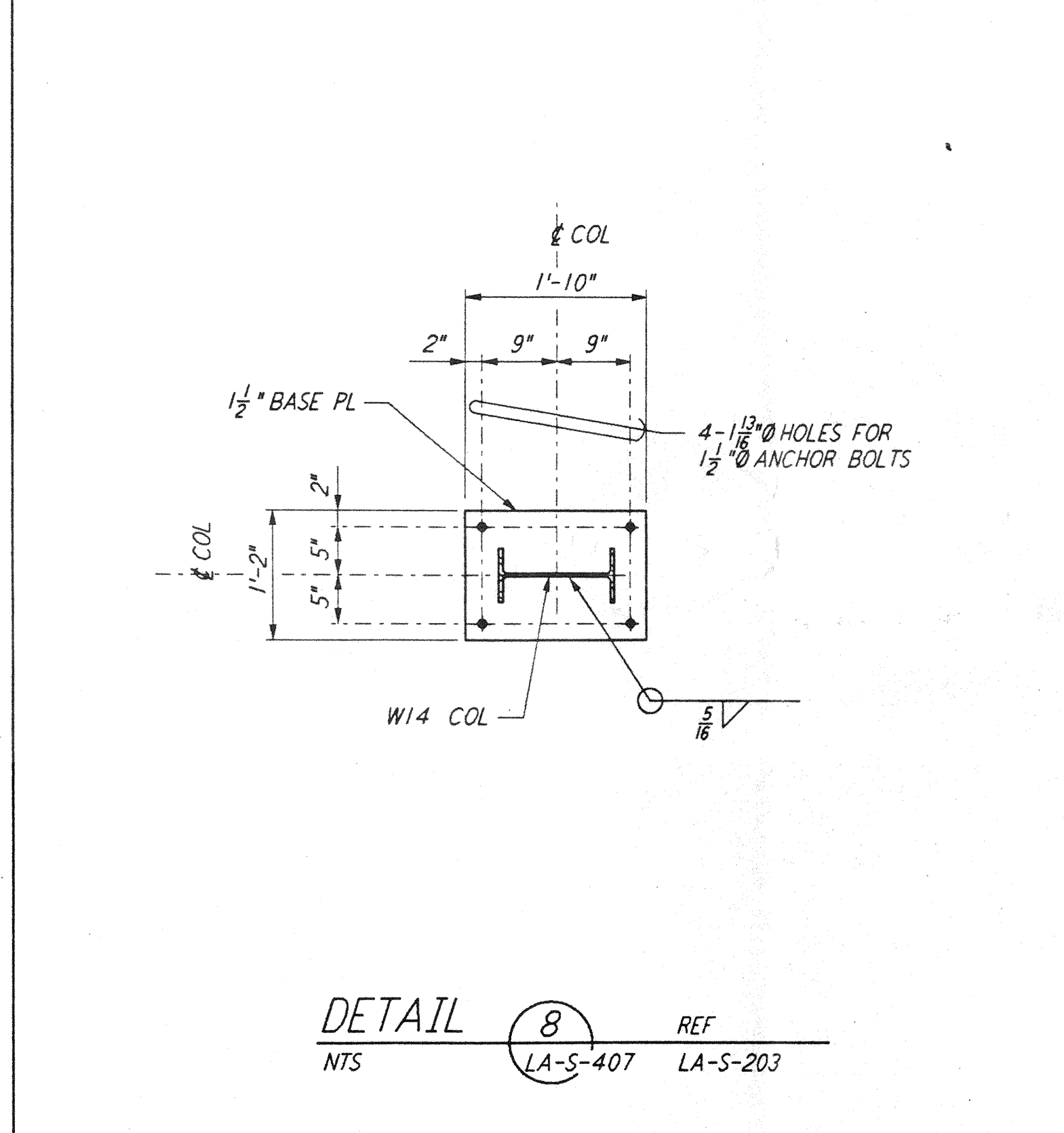
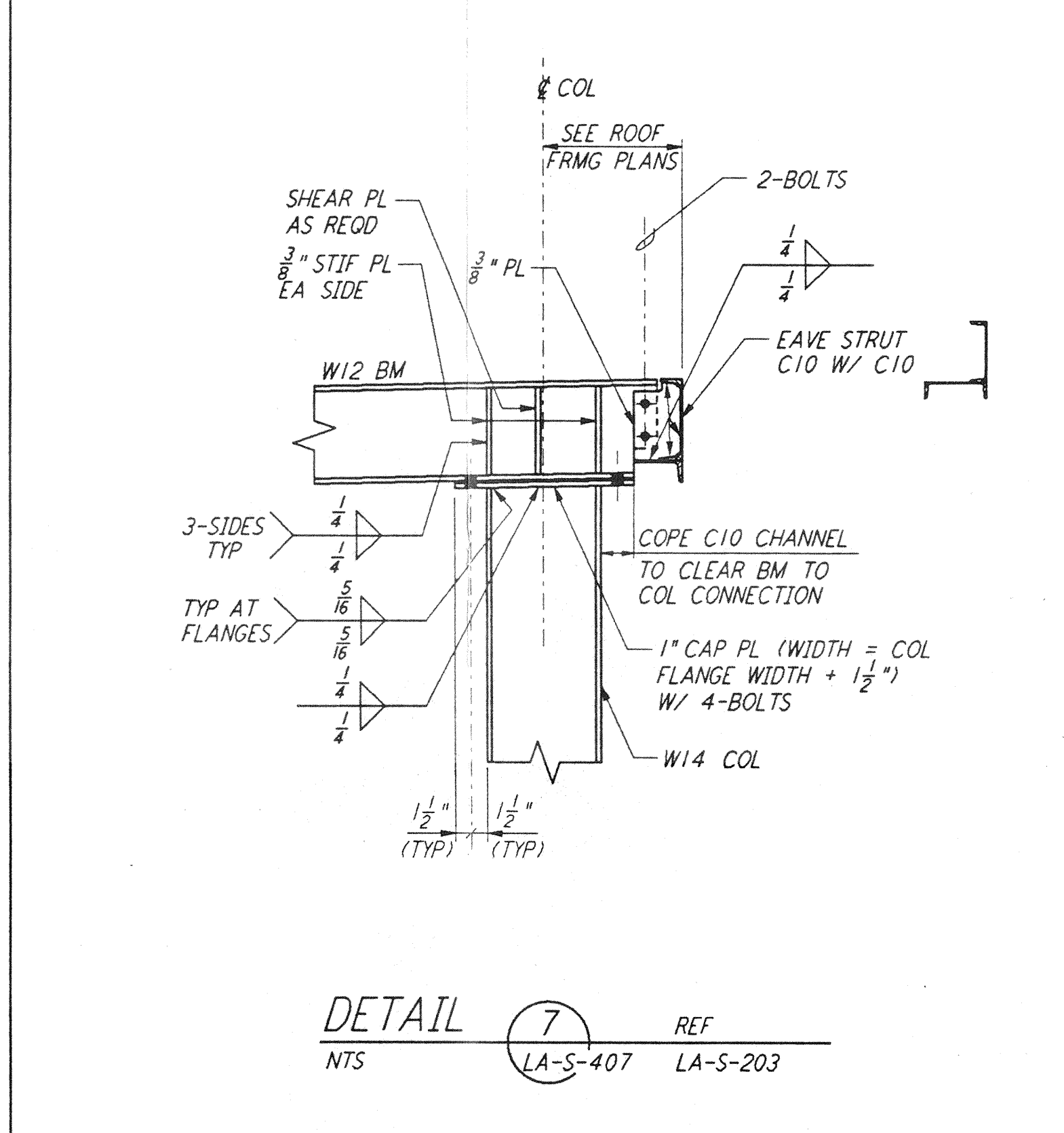
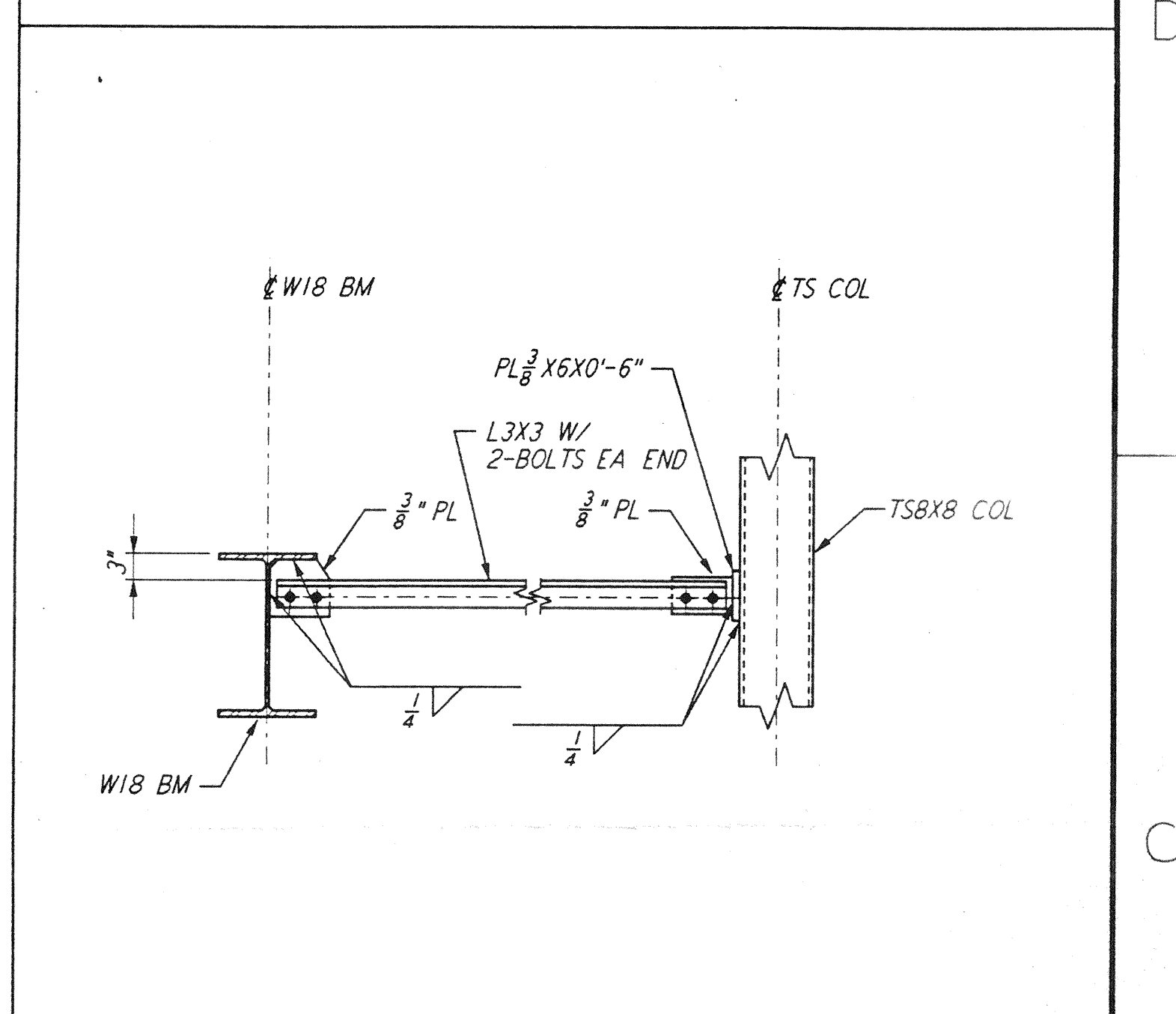
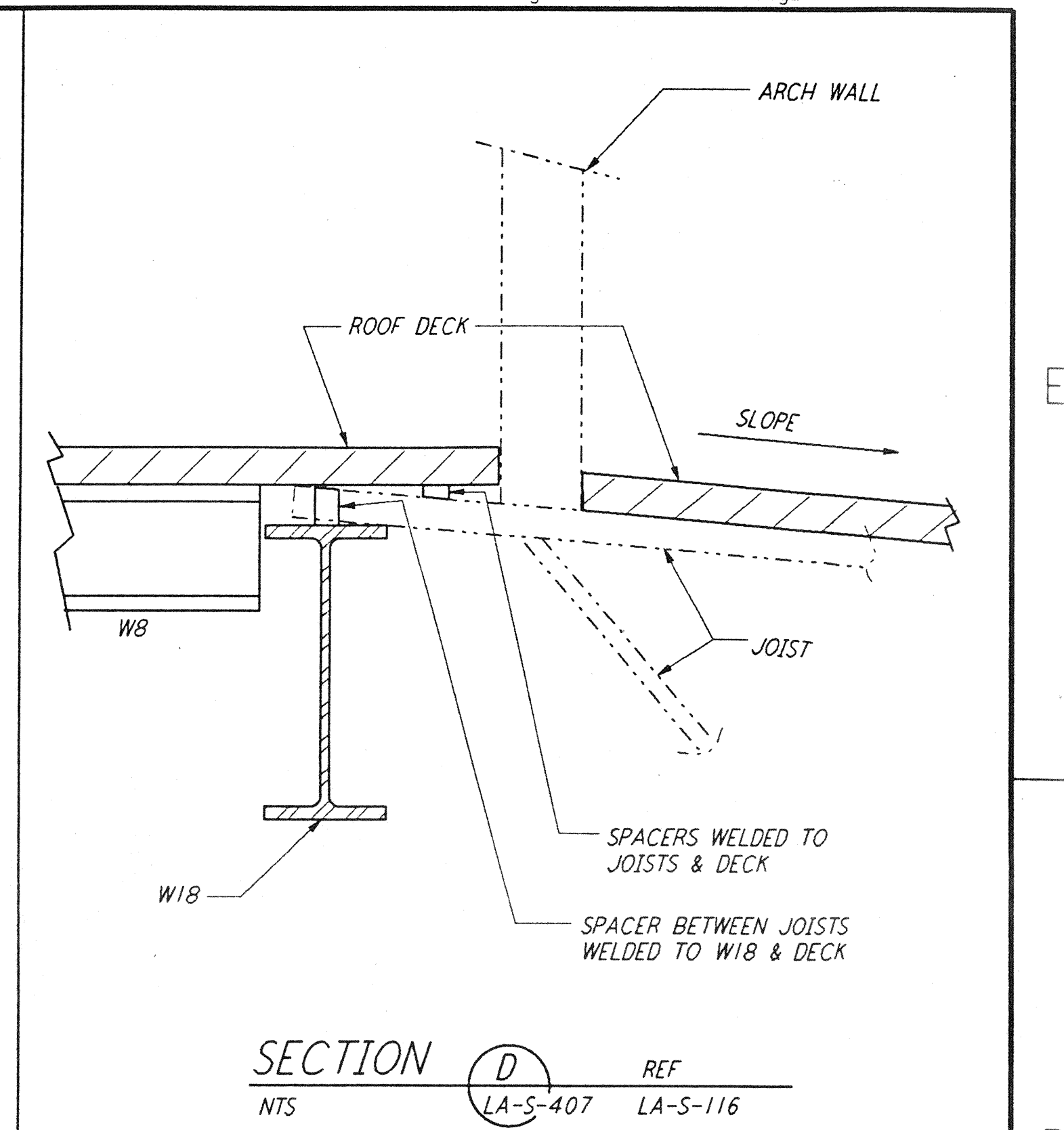
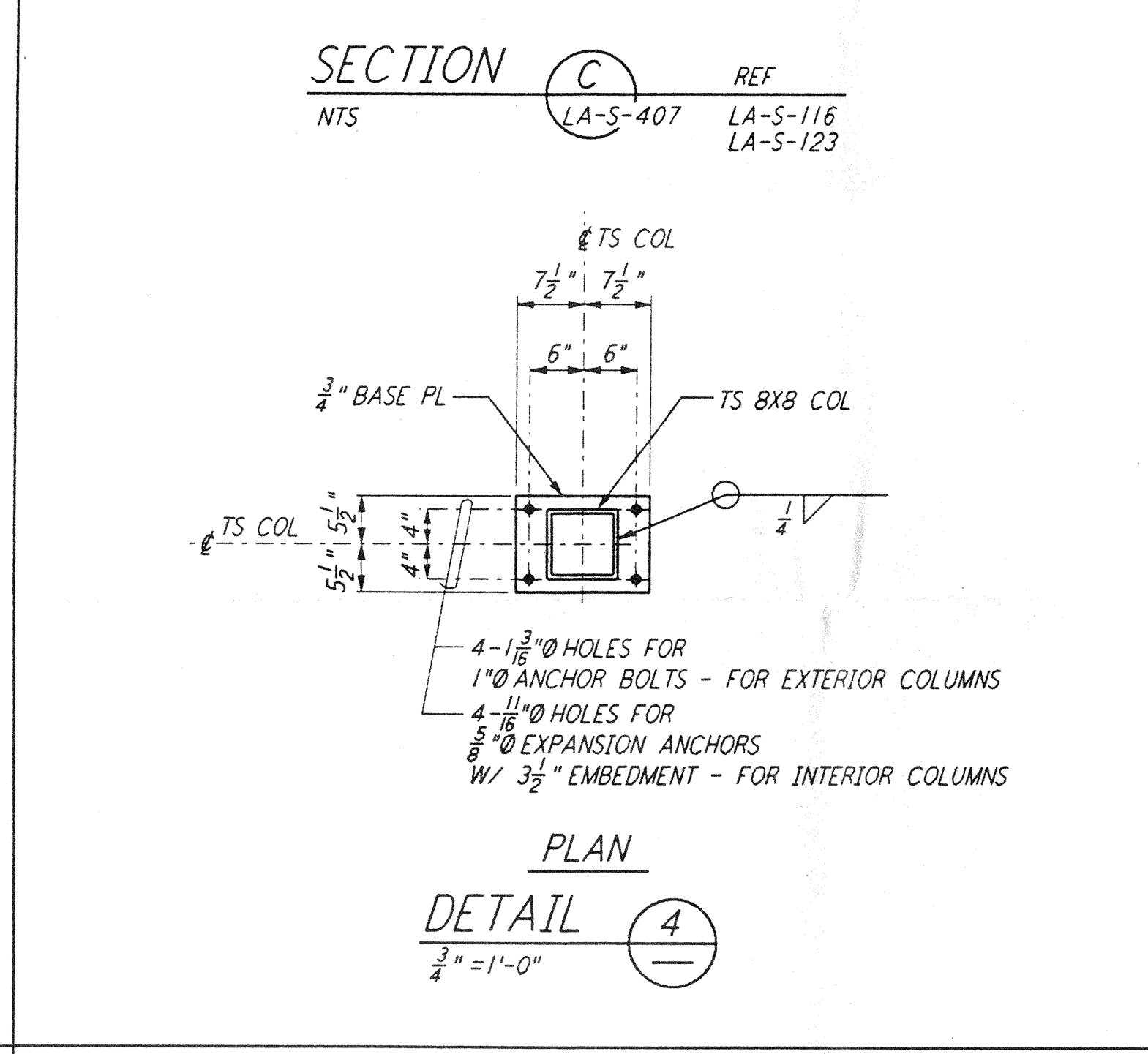
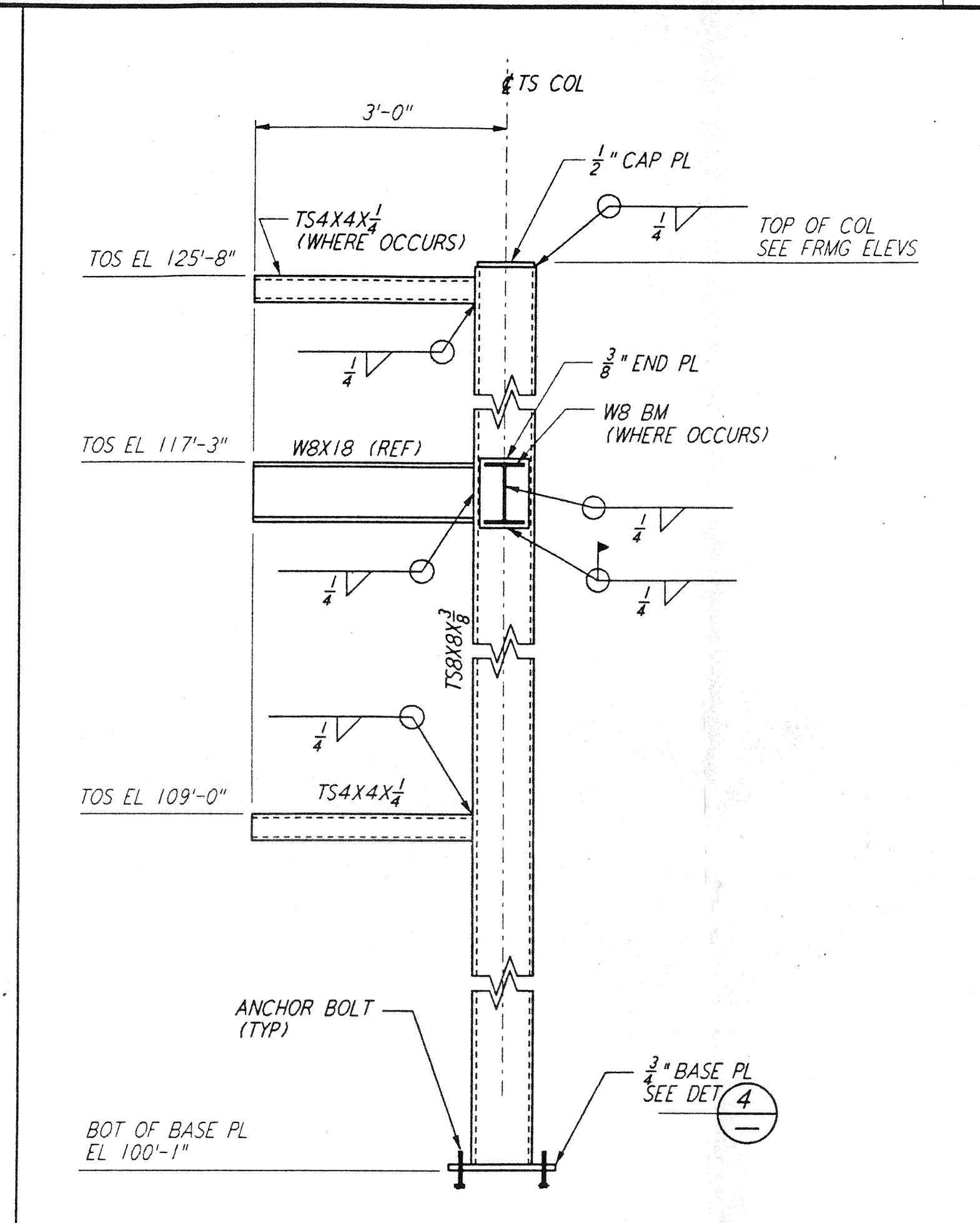
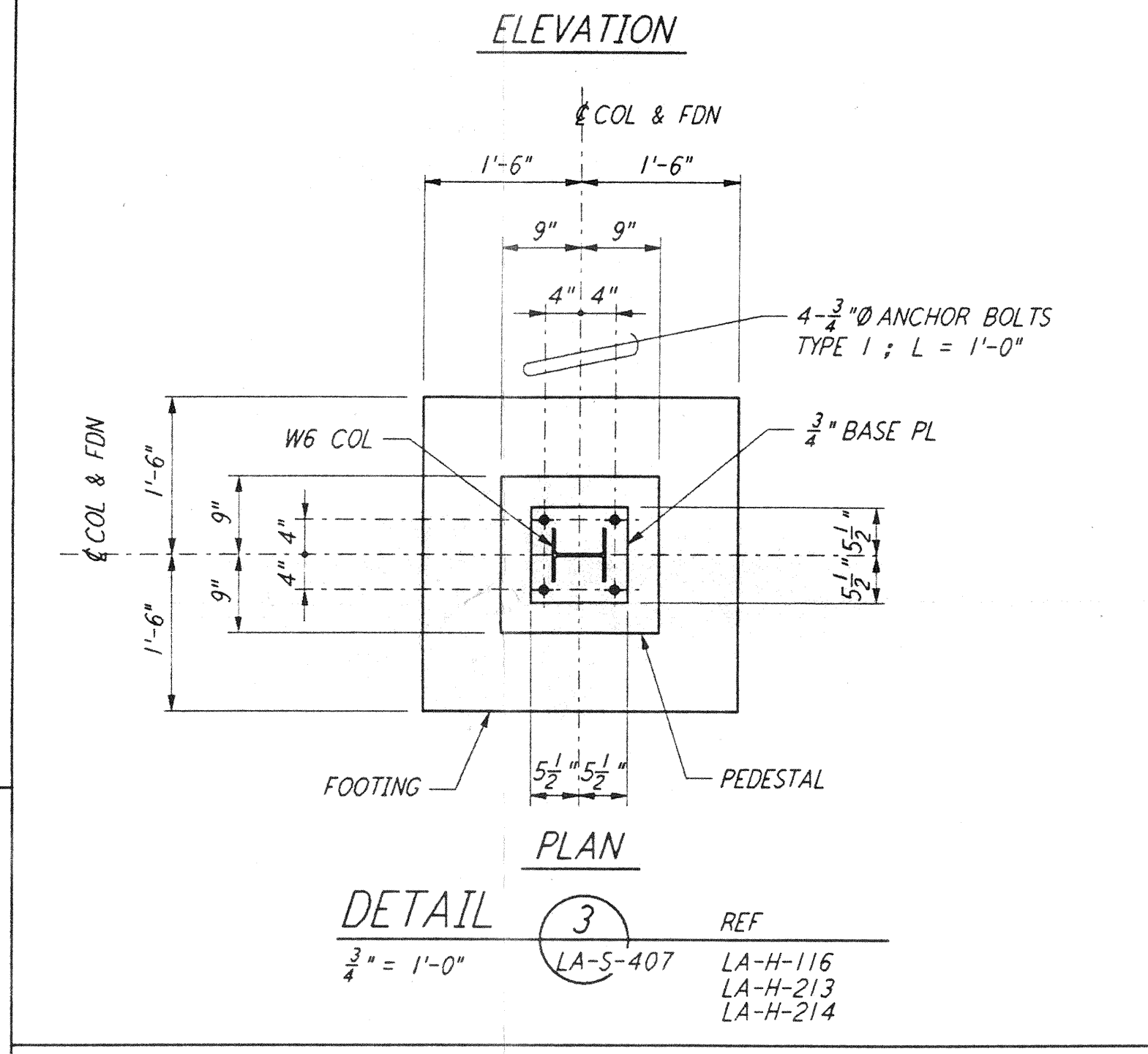
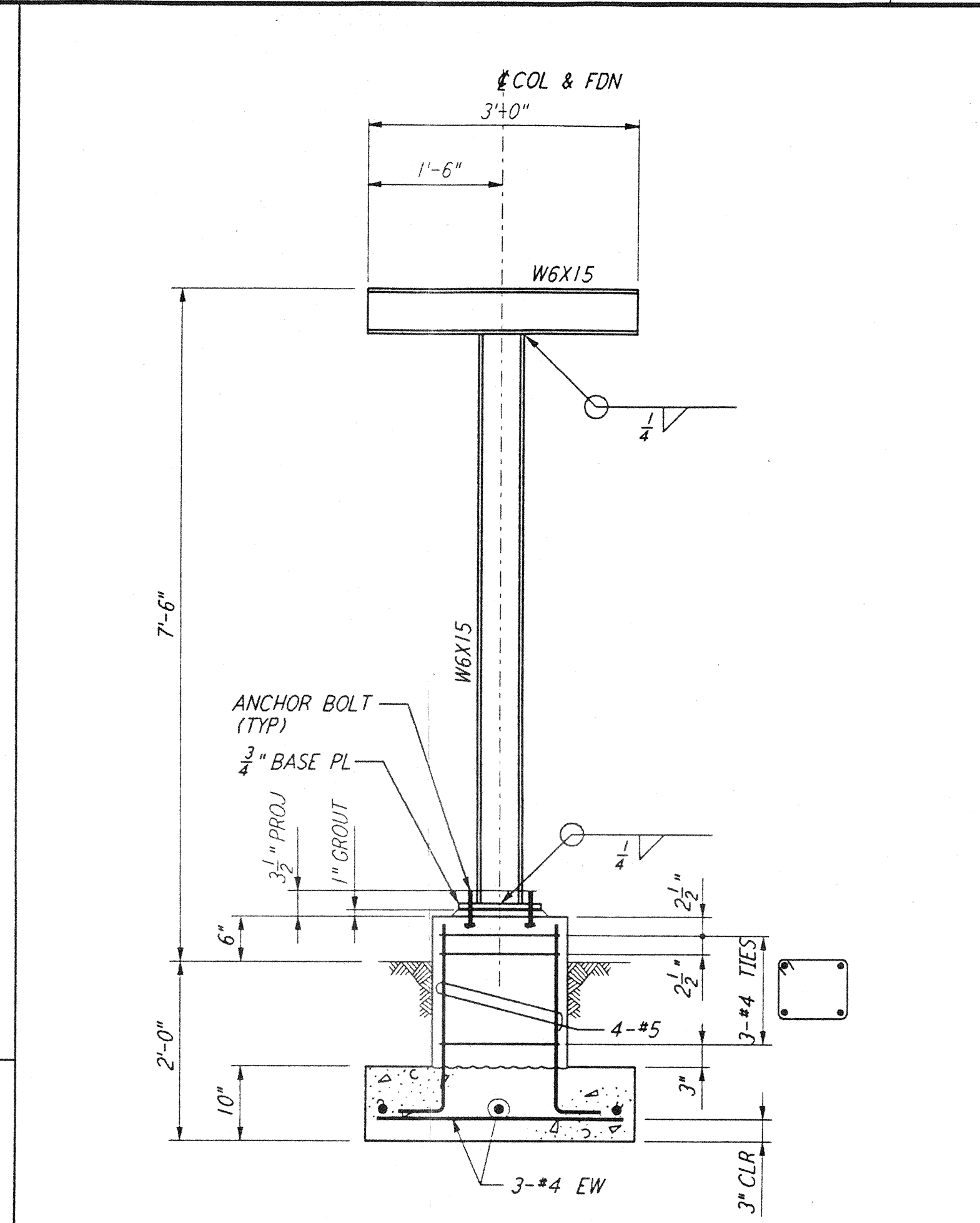
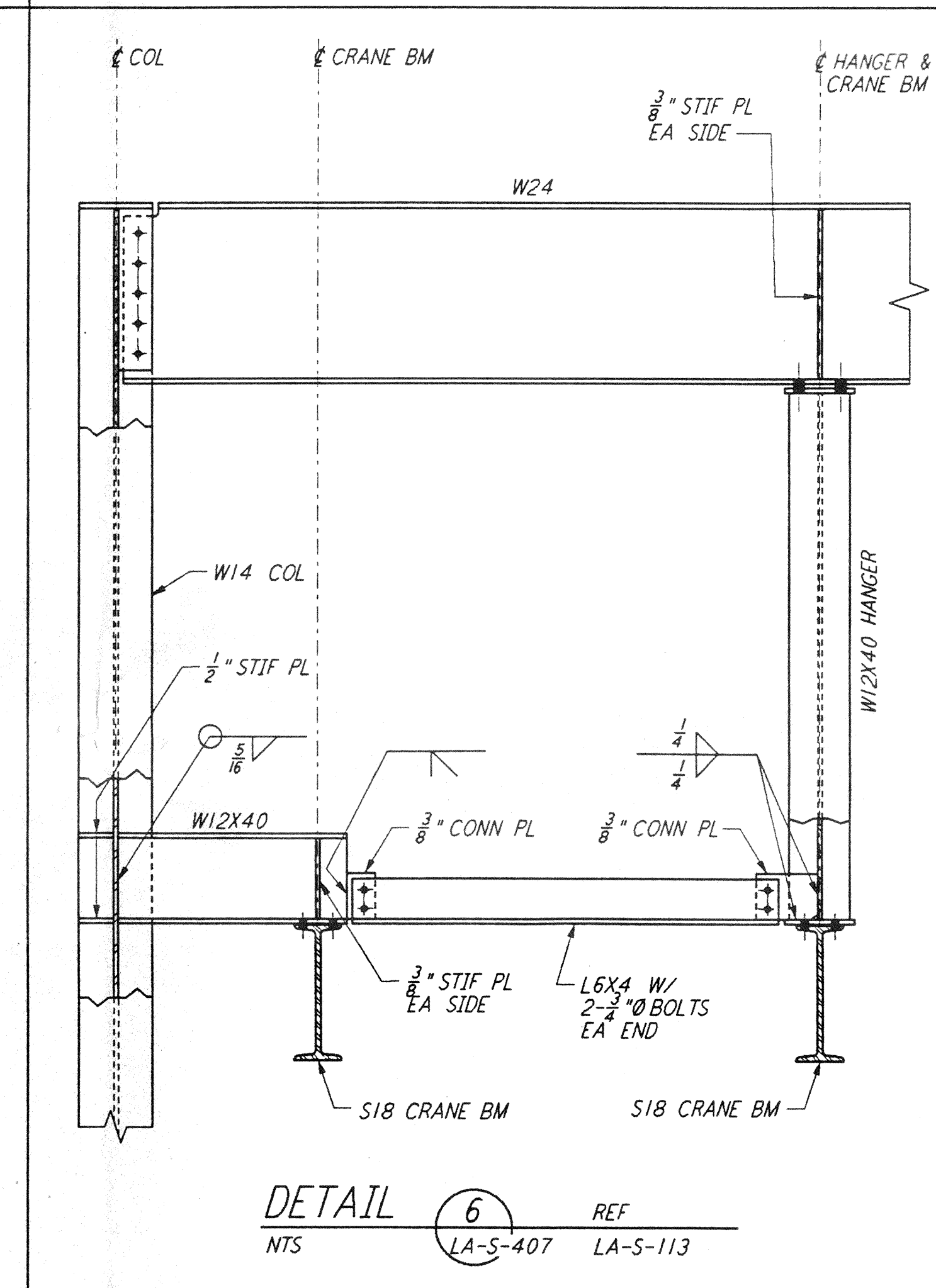
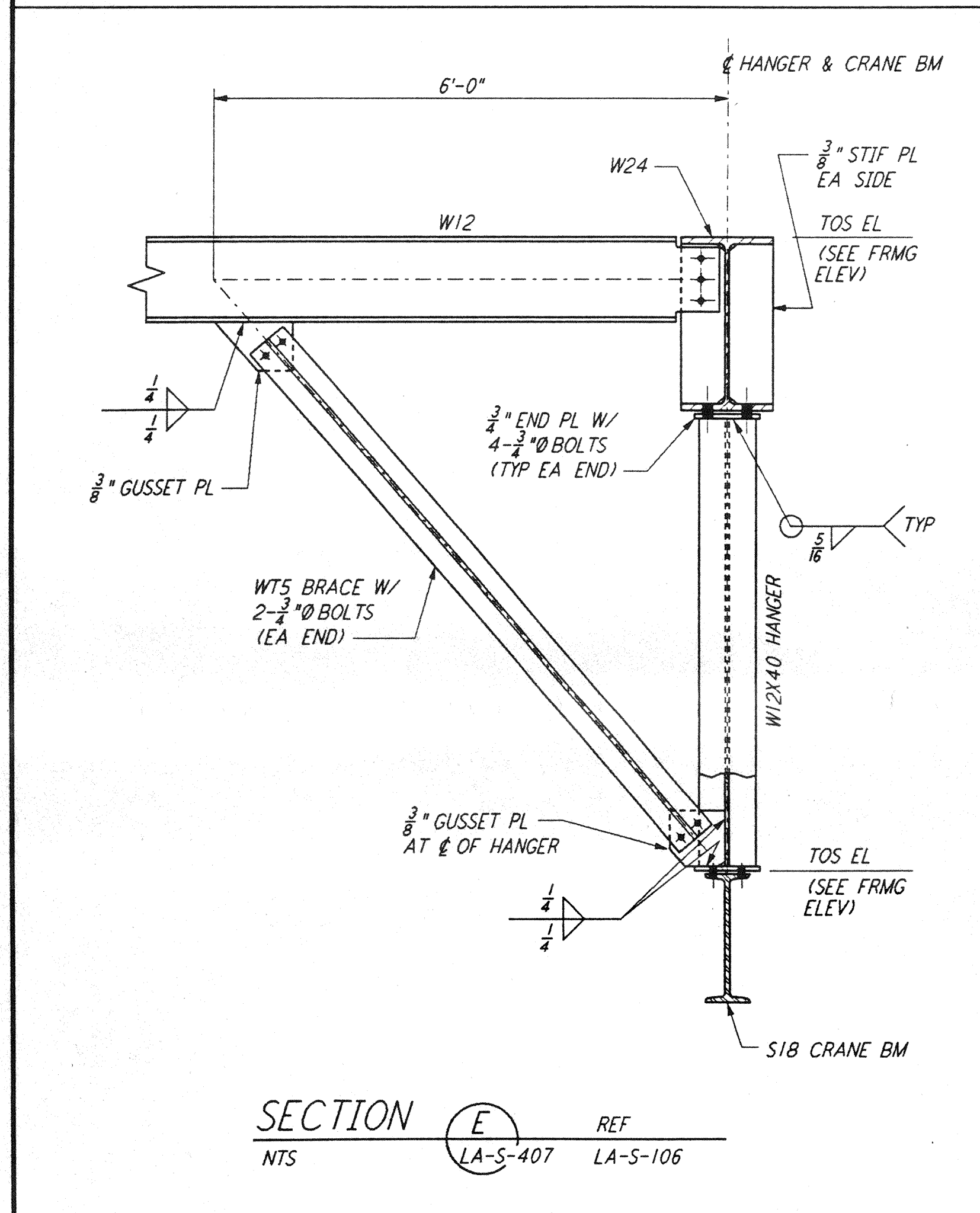
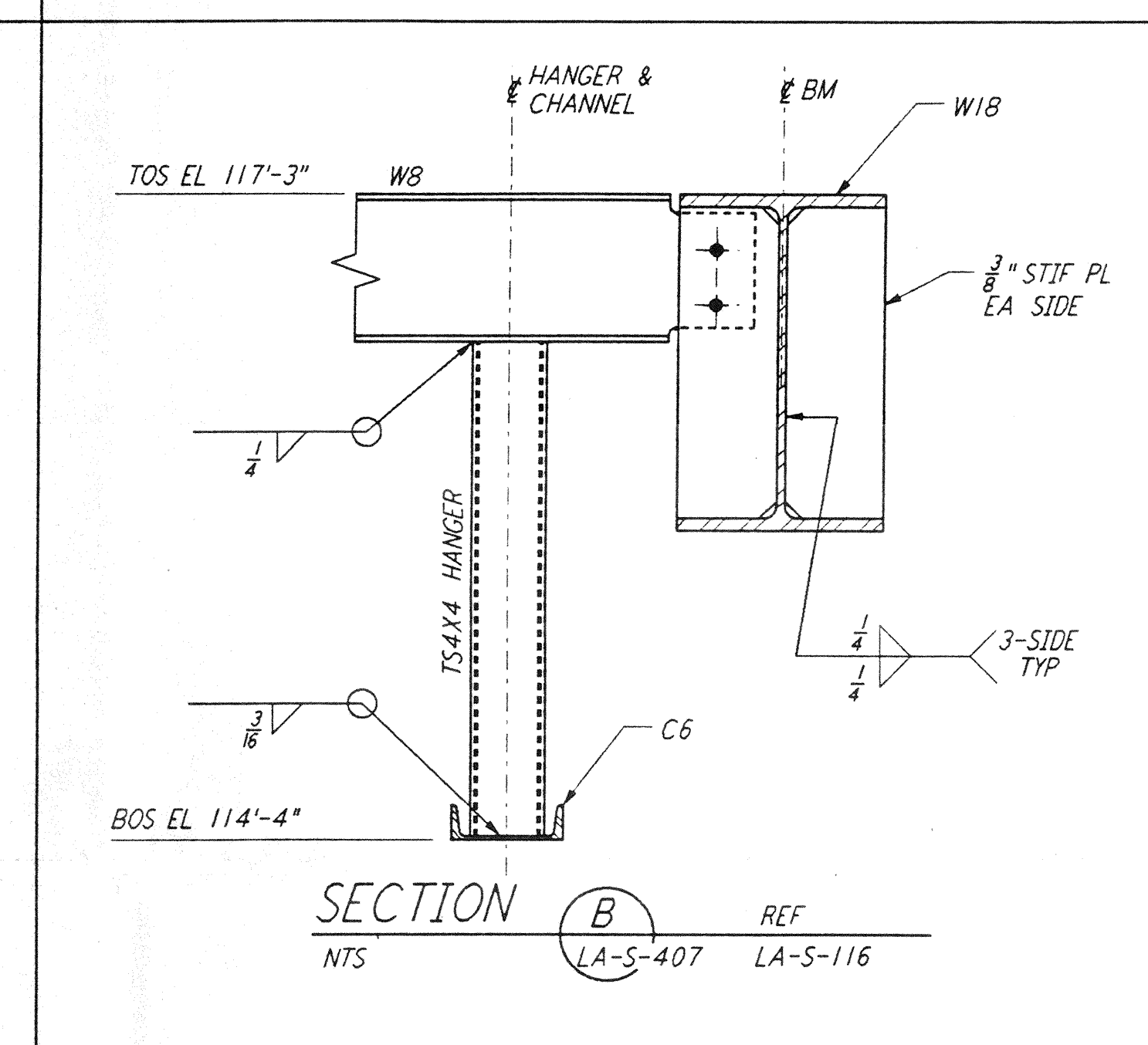
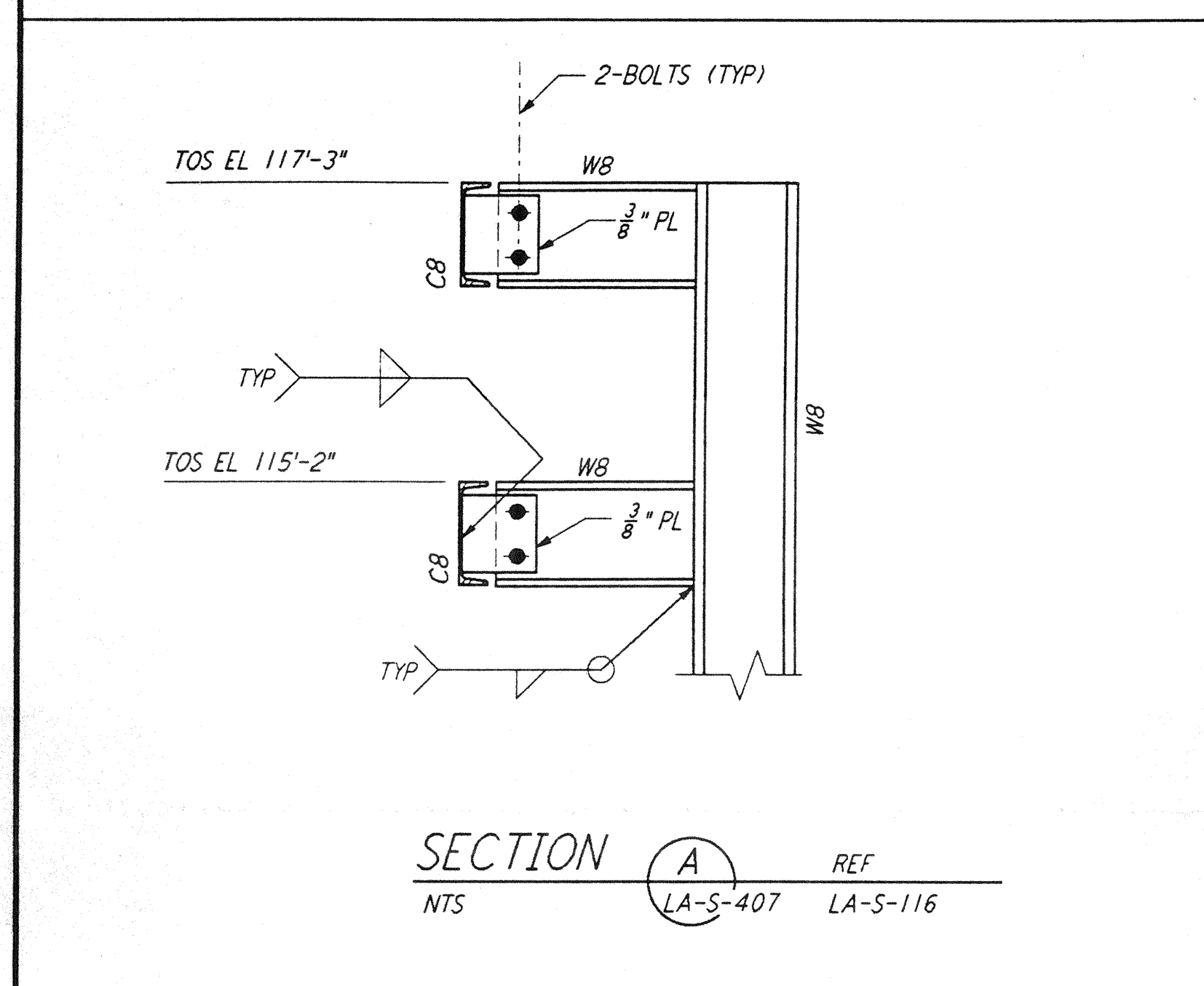
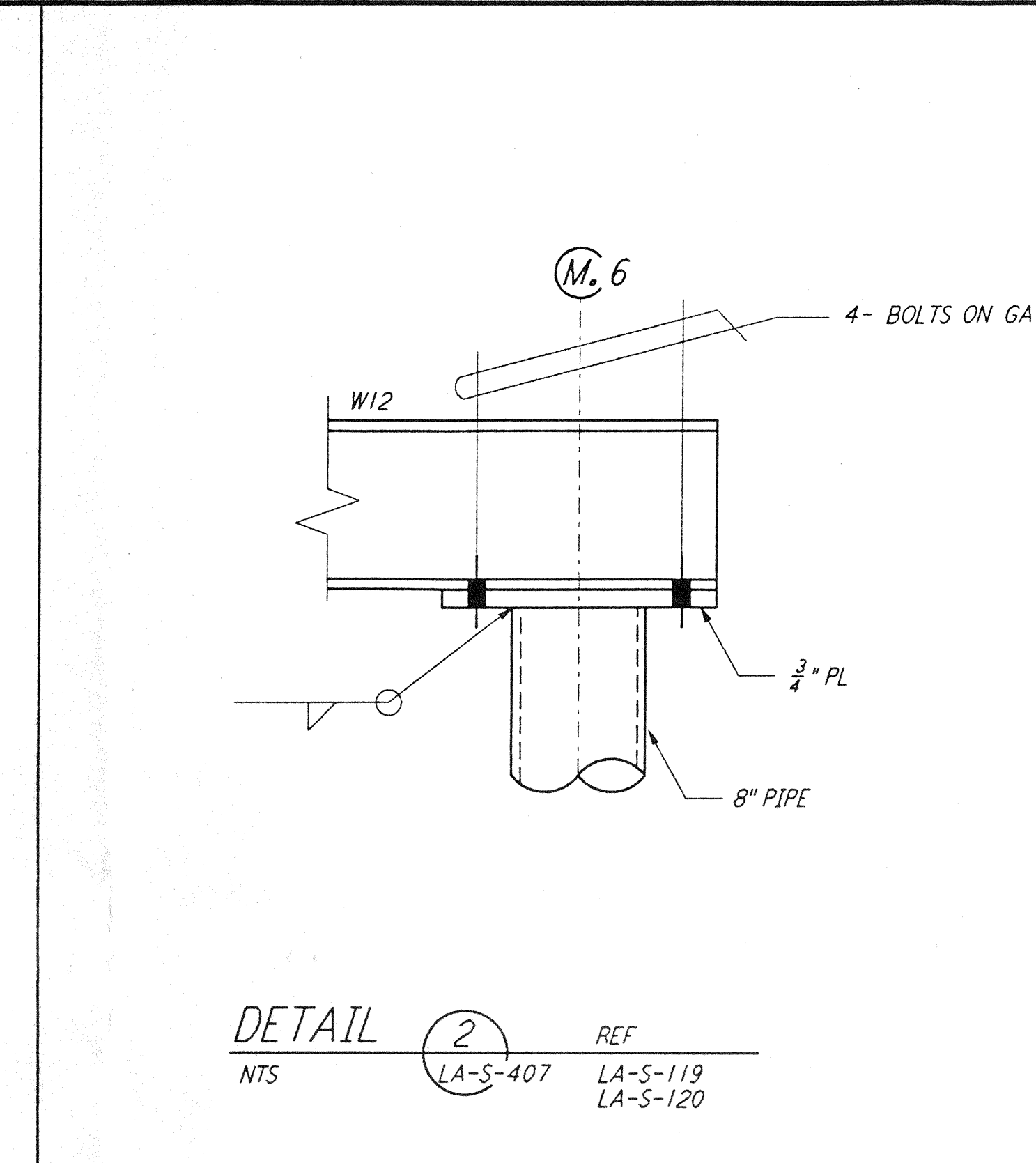
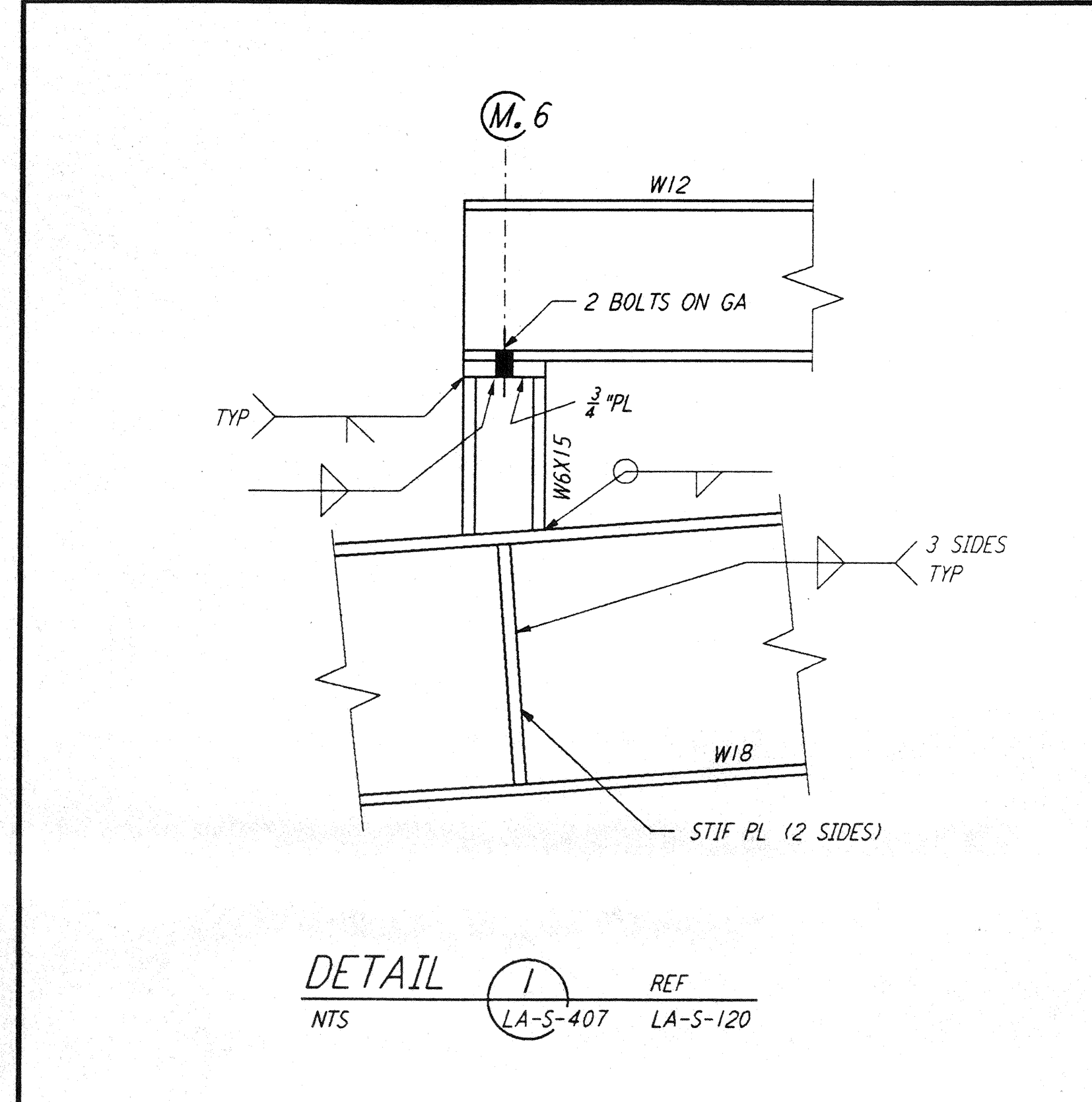


This document and the design it covers are the property of PARSONS. They are loaned only with the borrower's expressed written agreement that they will not be reproduced, copied, loaned, exhibited, or used in any other way, except by written consent from PARSONS to the borrower.



REFERENCES		ISSUED FOR CONSTRUCTION	
DRAWING NO.	DESCRIPTION	DRAWN	MCS 11-15-96
		CHECKED	08/11 11-15-96
		ENGINEER	BP 11-15-96
		PROJ	11/15/96
NO.	DATE	BY	CHKD ENGR PROJ
			DESCRIPTION

 100 WEST WALNUT STREET PASADENA, CALIFORNIA	 CALIFORNIA INSTITUTE OF TECHNOLOGY MASSACHUSETTS INSTITUTE OF TECHNOLOGY	LASER INTERFEROMETER GRAVITATIONAL-WAVE OBSERVATORY SITE NO. 2 - LIVINGSTON, LOUISIANA	
		STRUCTURAL STEEL SECTIONS & DETAILS LA-S-407	SCALE: AS NOTED CONTRACT NUMBER: PP150969 PROJECT NUMBER: 8094