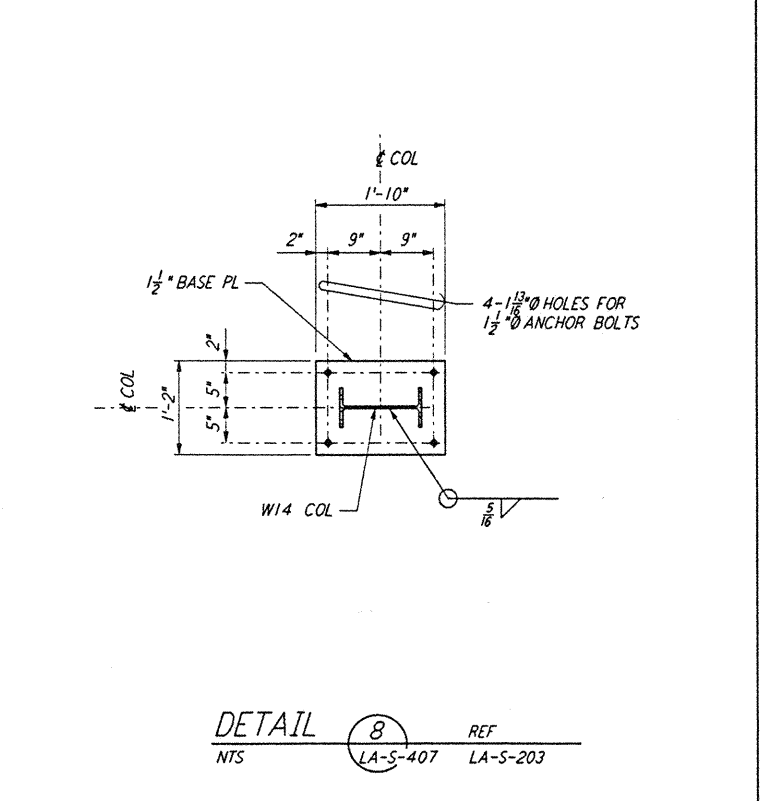
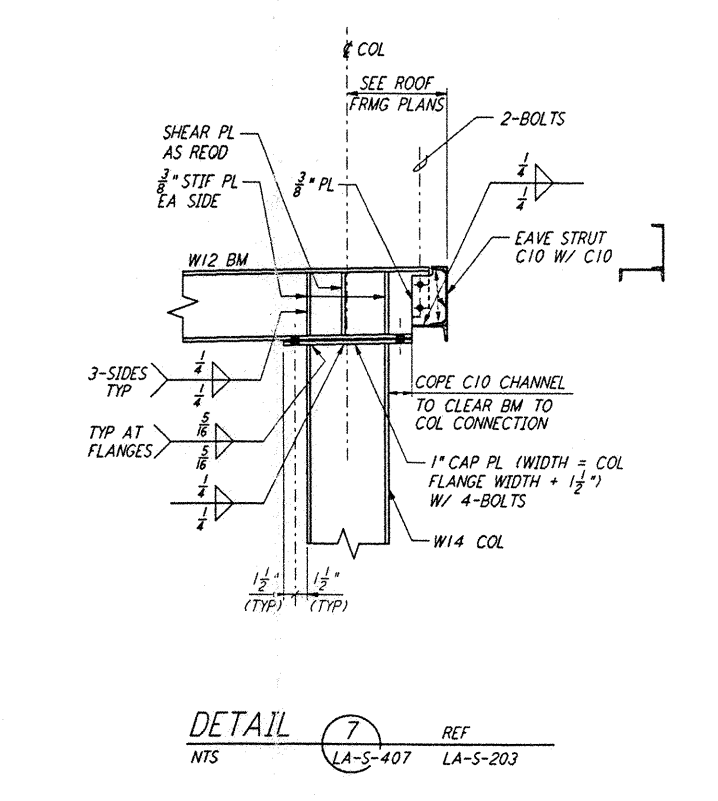
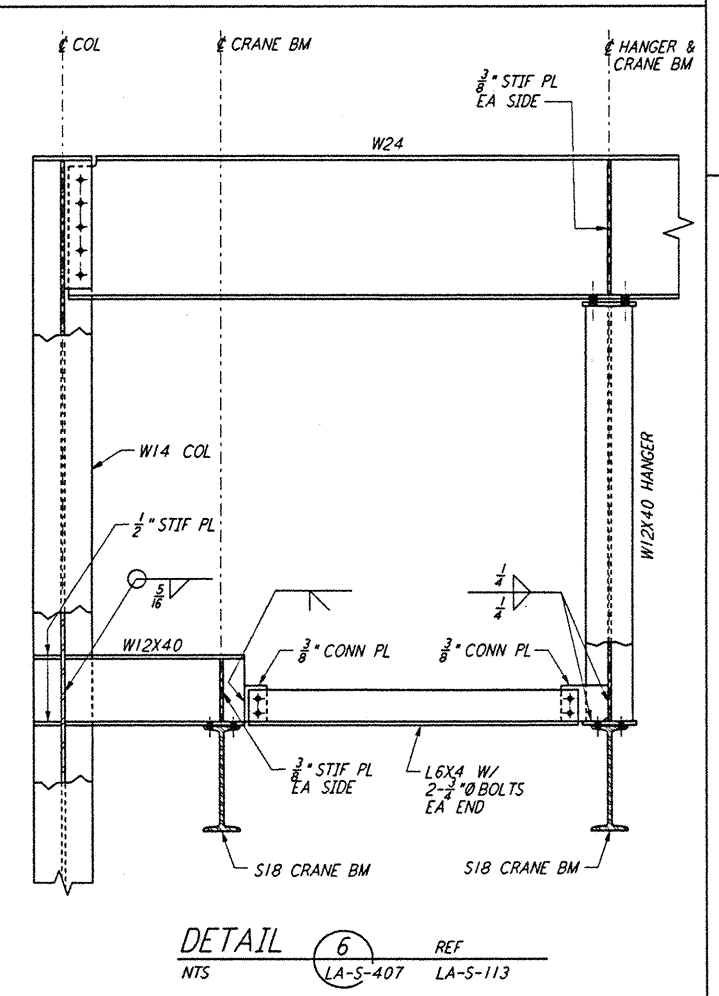
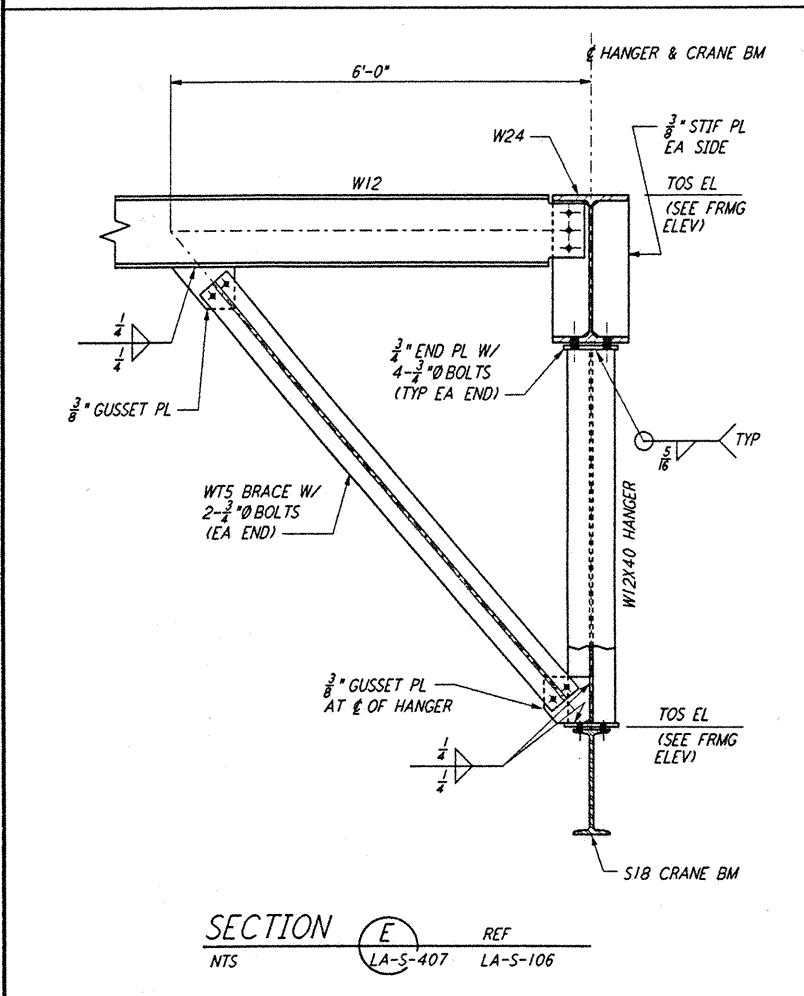
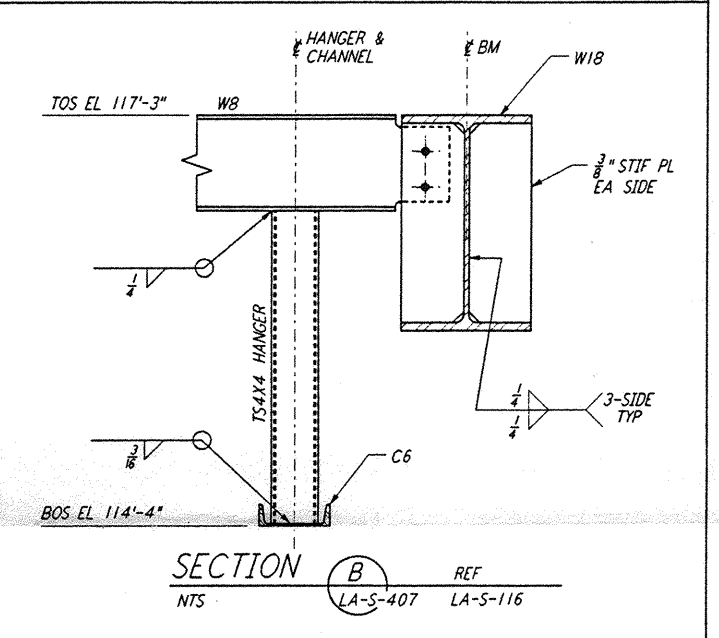
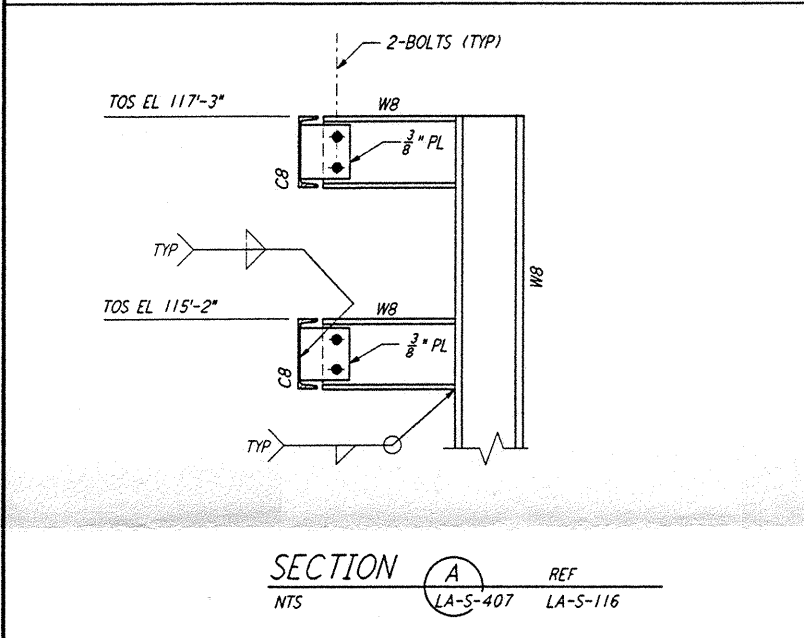
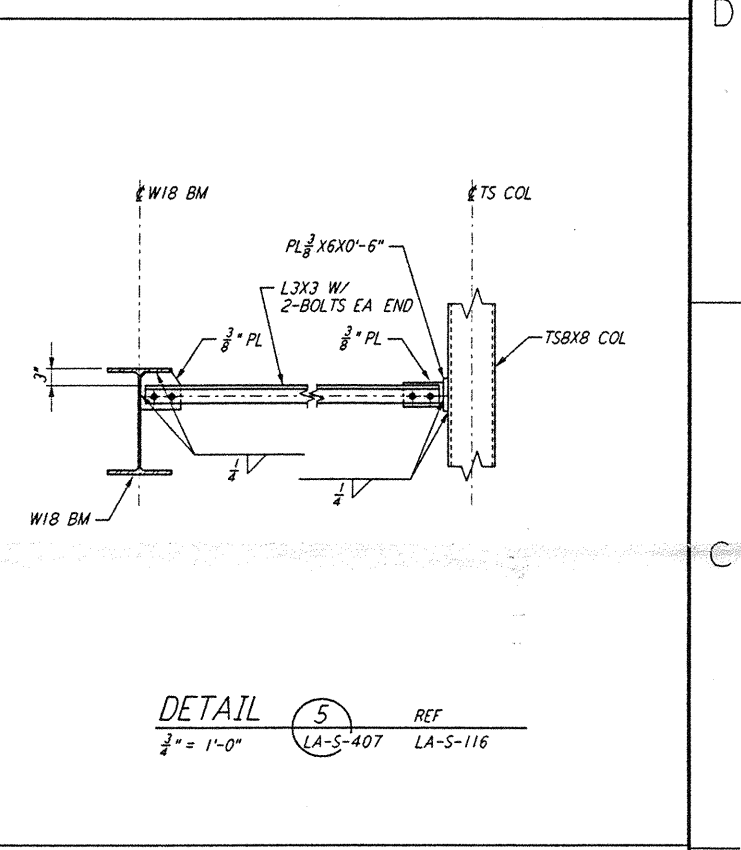
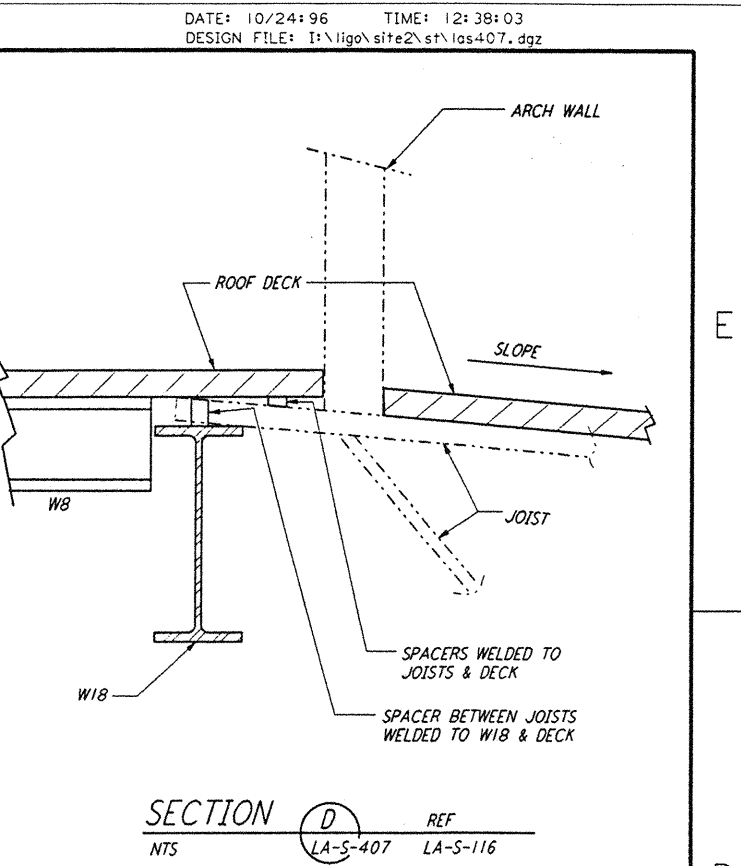
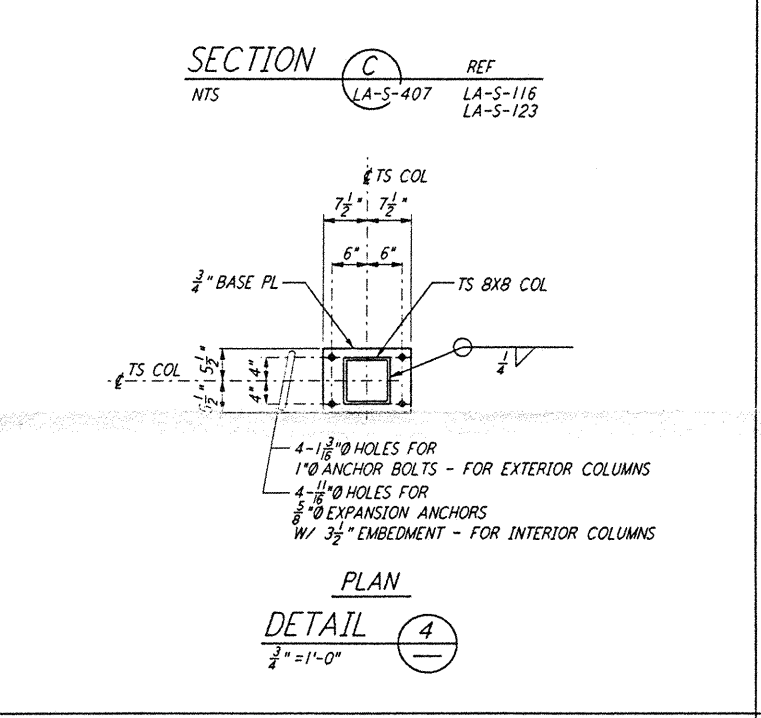
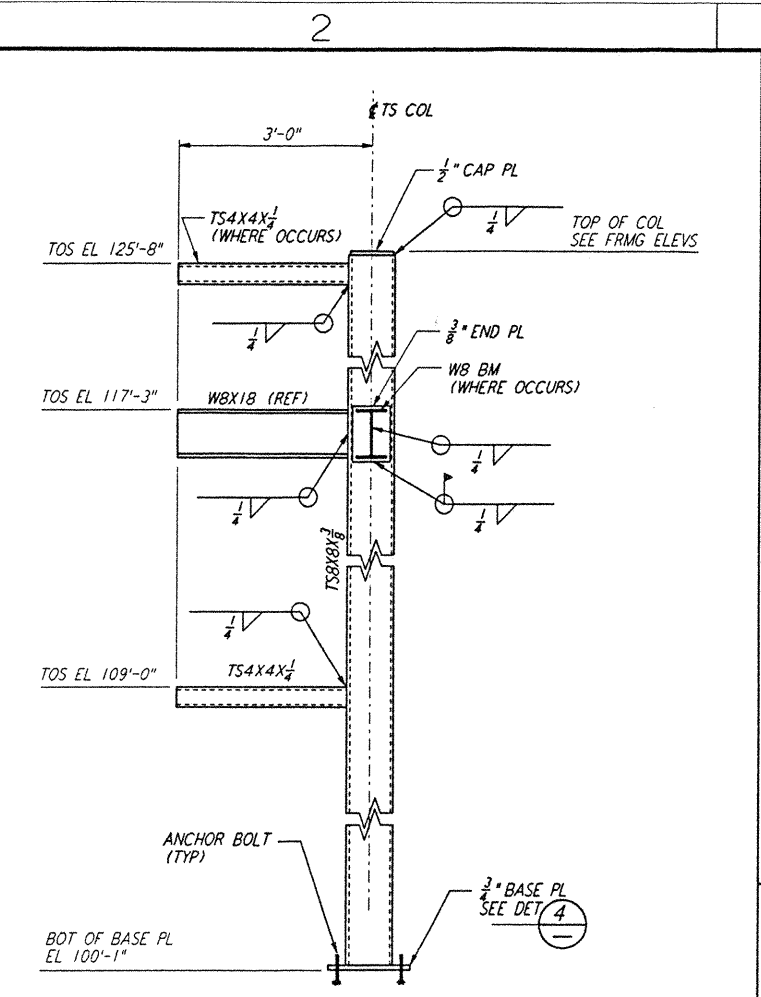
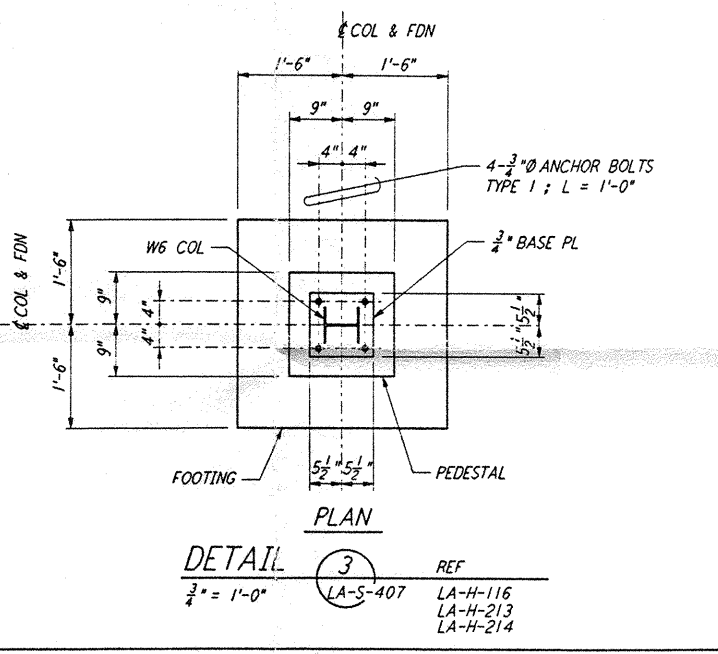
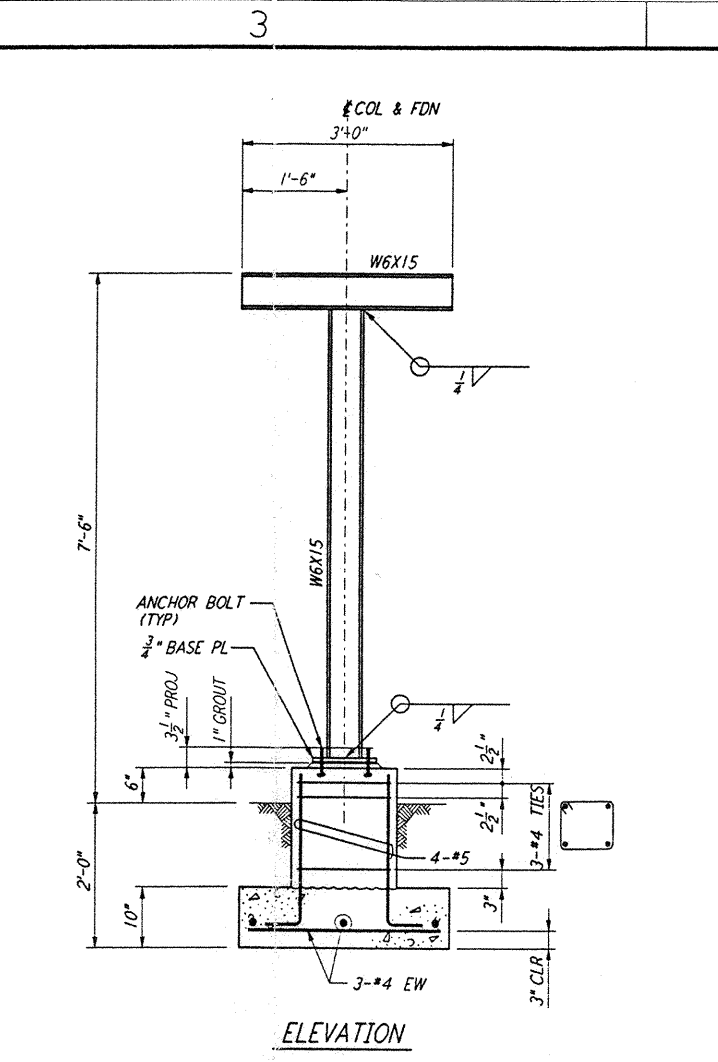
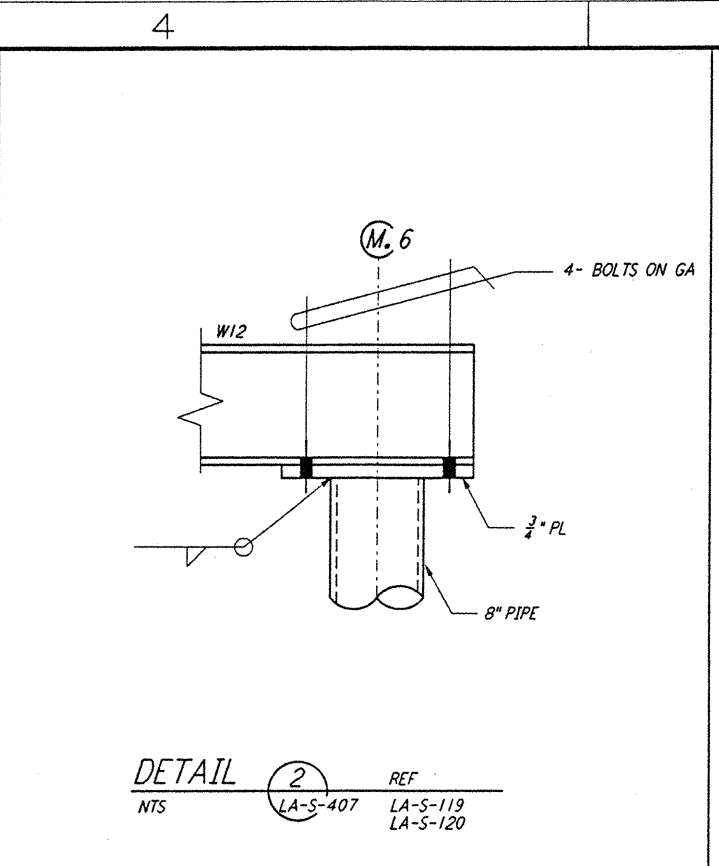
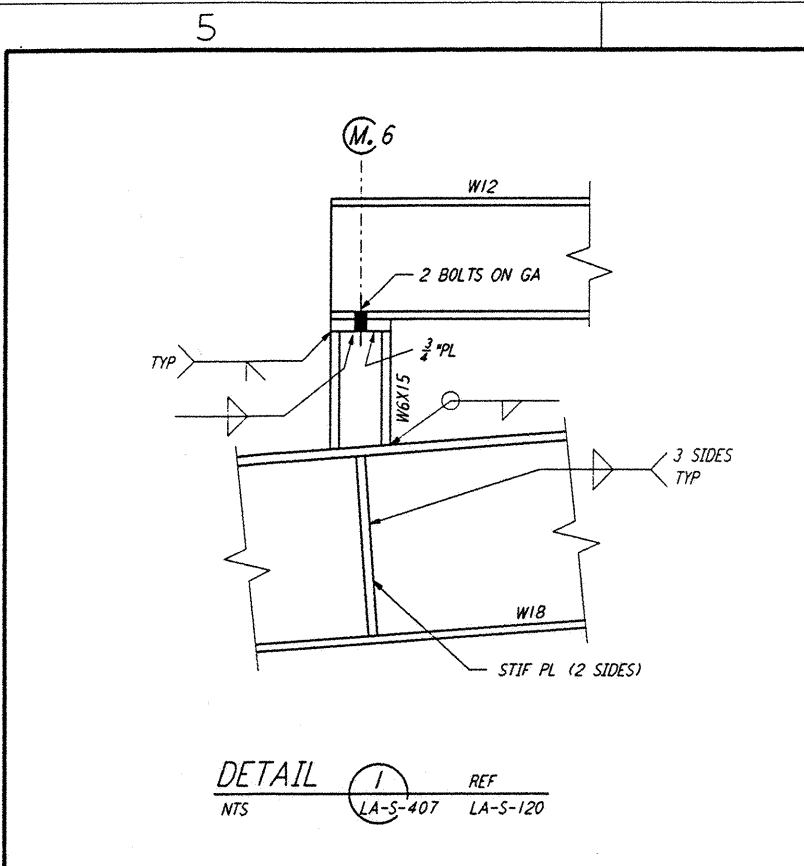


not be reproduced, copied, loaned, exhibited, or used in any other way, except by written consent from PARSONS to the borrower.

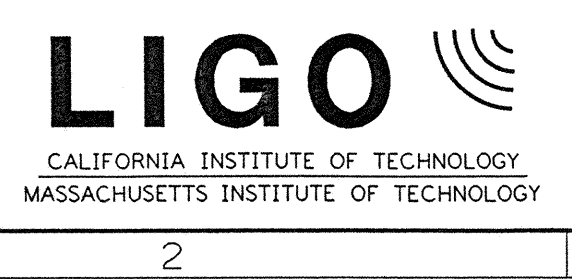
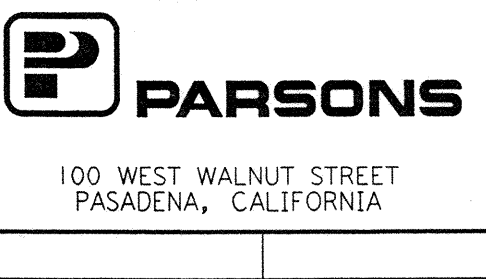
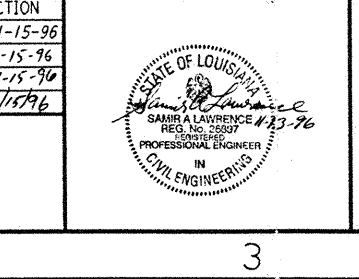
This document and the design it covers are the property of PARSONS. They are loaned only with the borrower's expressed written agreement that they will

I:\PROJECTS\104-407\104-407.dwg 11/15/96 11:15:30



NO.	DATE	BY	CHKD	ENGR	PROJ	DESCRIPTION

ISSUED FOR CONSTRUCTION	MCS	11-15-96
DRAWN		
CHECKED		
ENGINEER		
PROJ		



LASER INTERFEROMETER GRAVITATIONAL-WAVE OBSERVATORY SITE NO. 2 - LIVINGSTON, LOUISIANA

STRUCTURAL STEEL SECTIONS & DETAILS

AS NOTED PP150969 8094

LA-S-407

Ligo-D960959-00-0