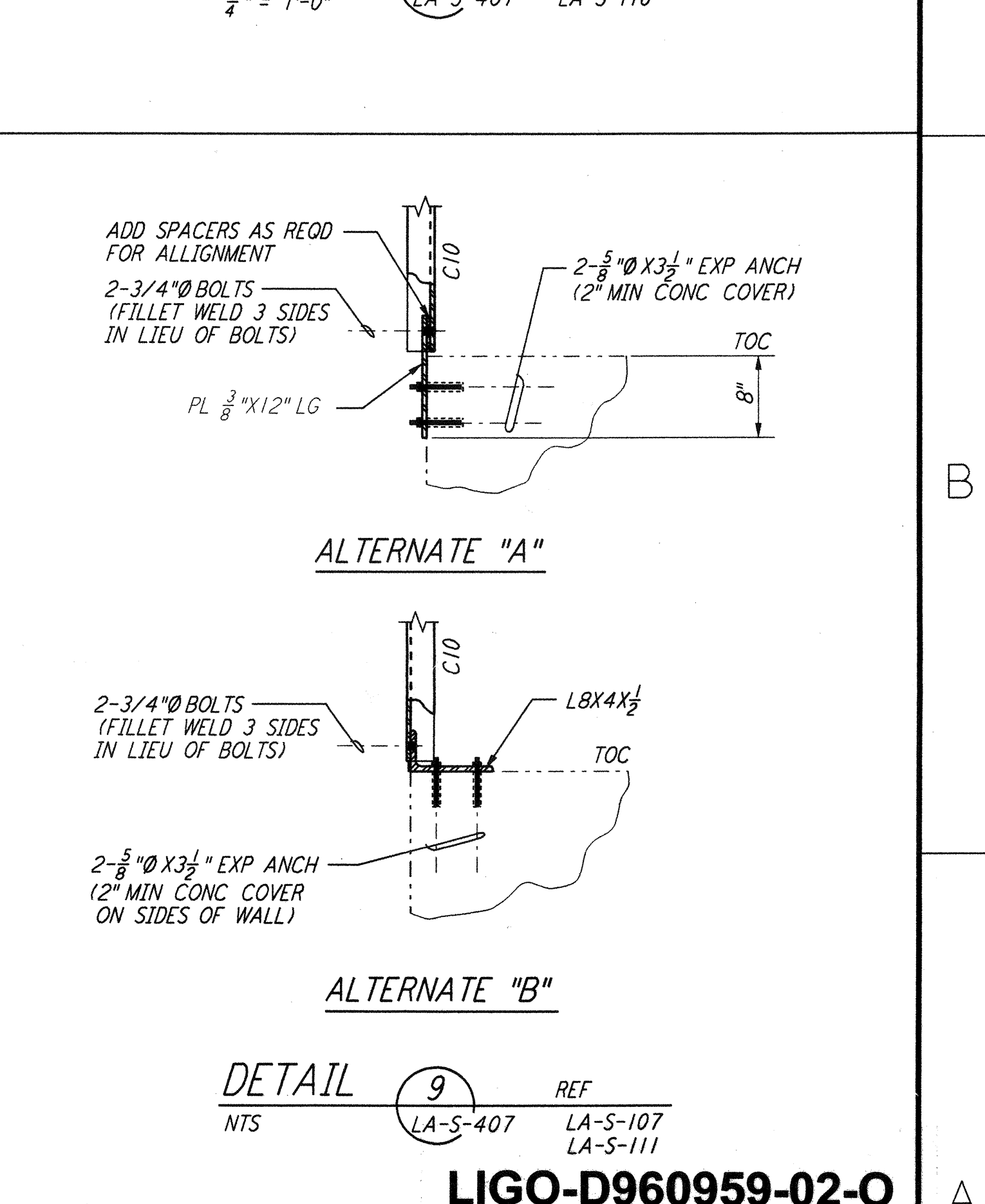
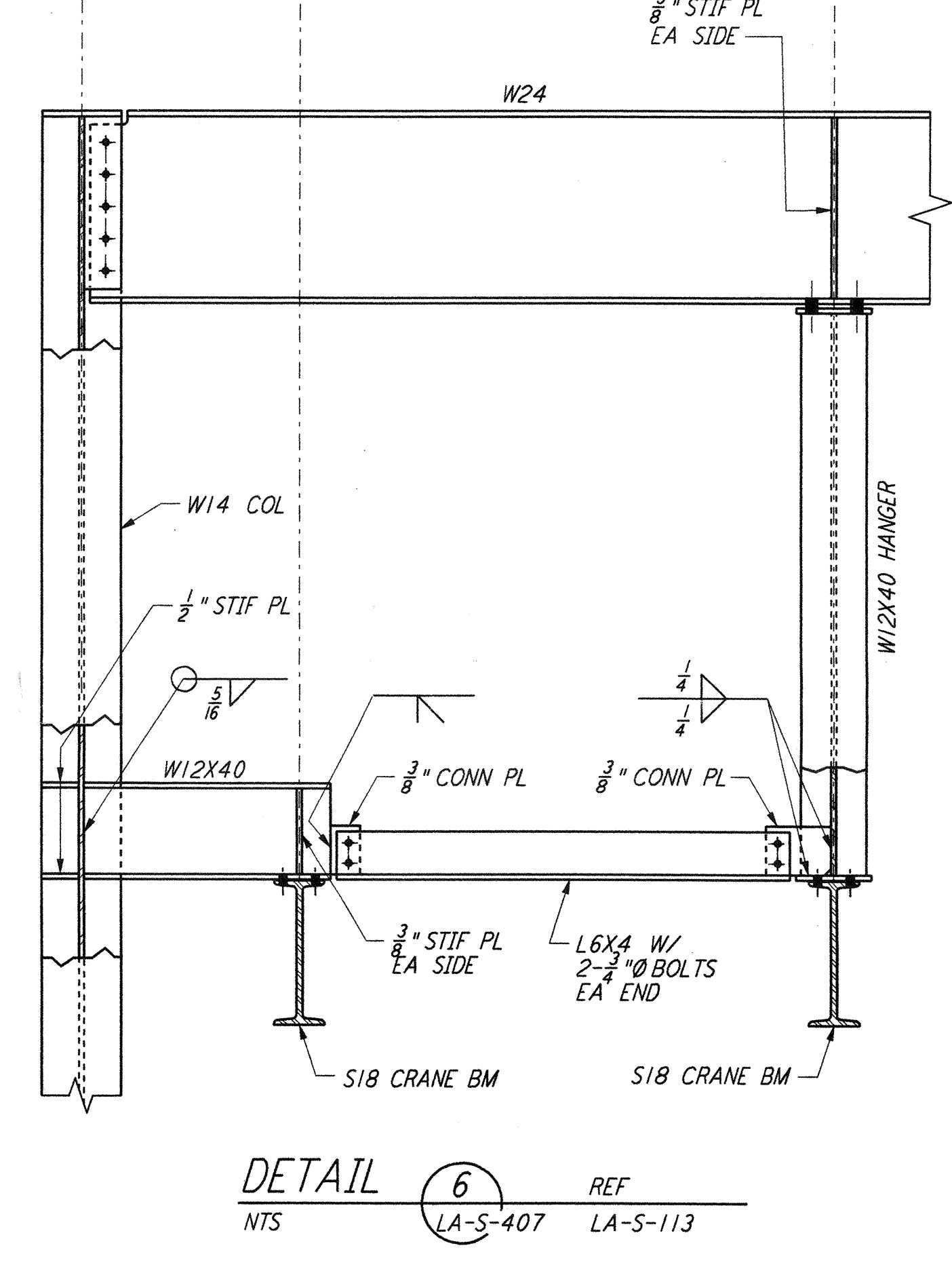
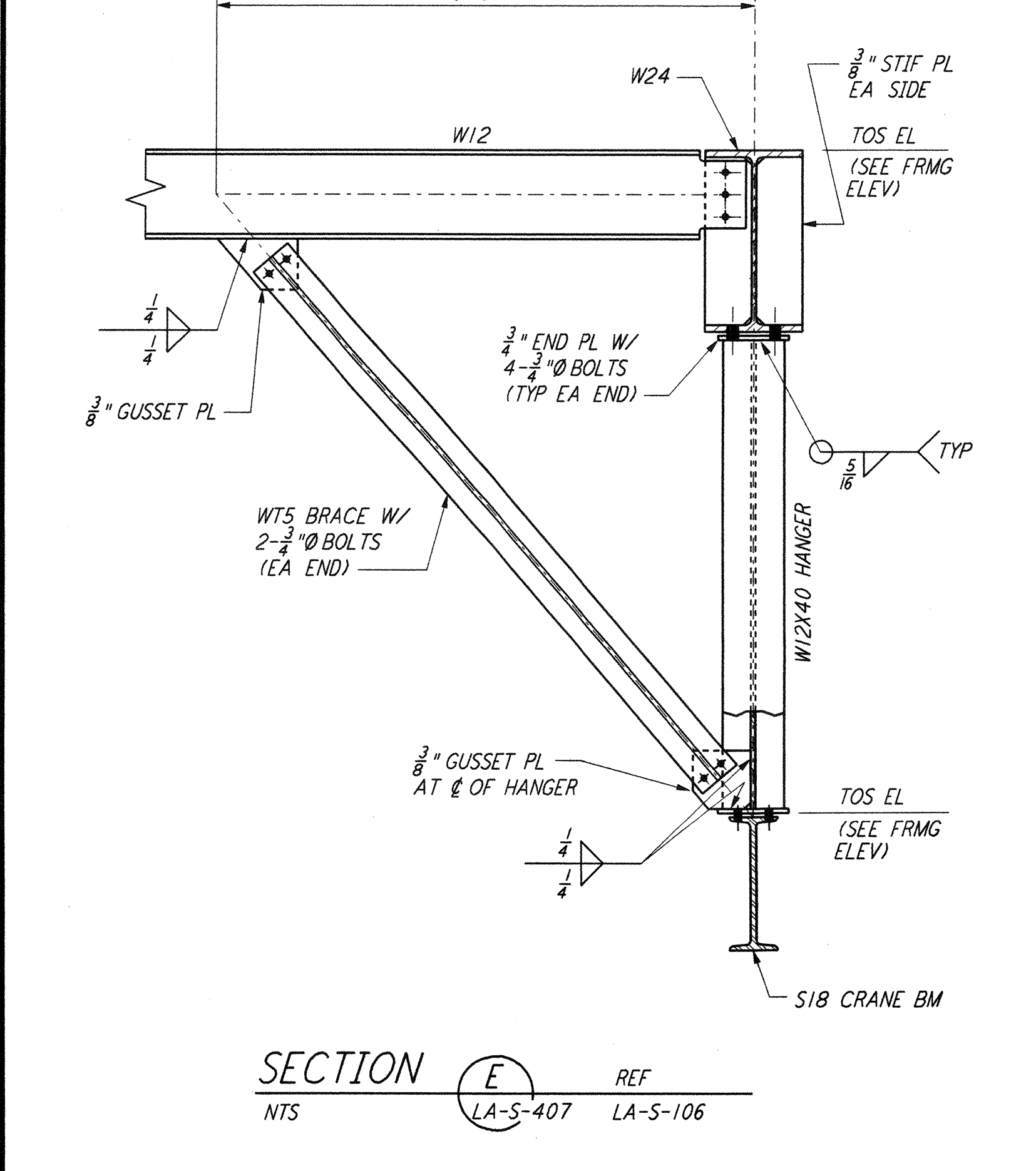
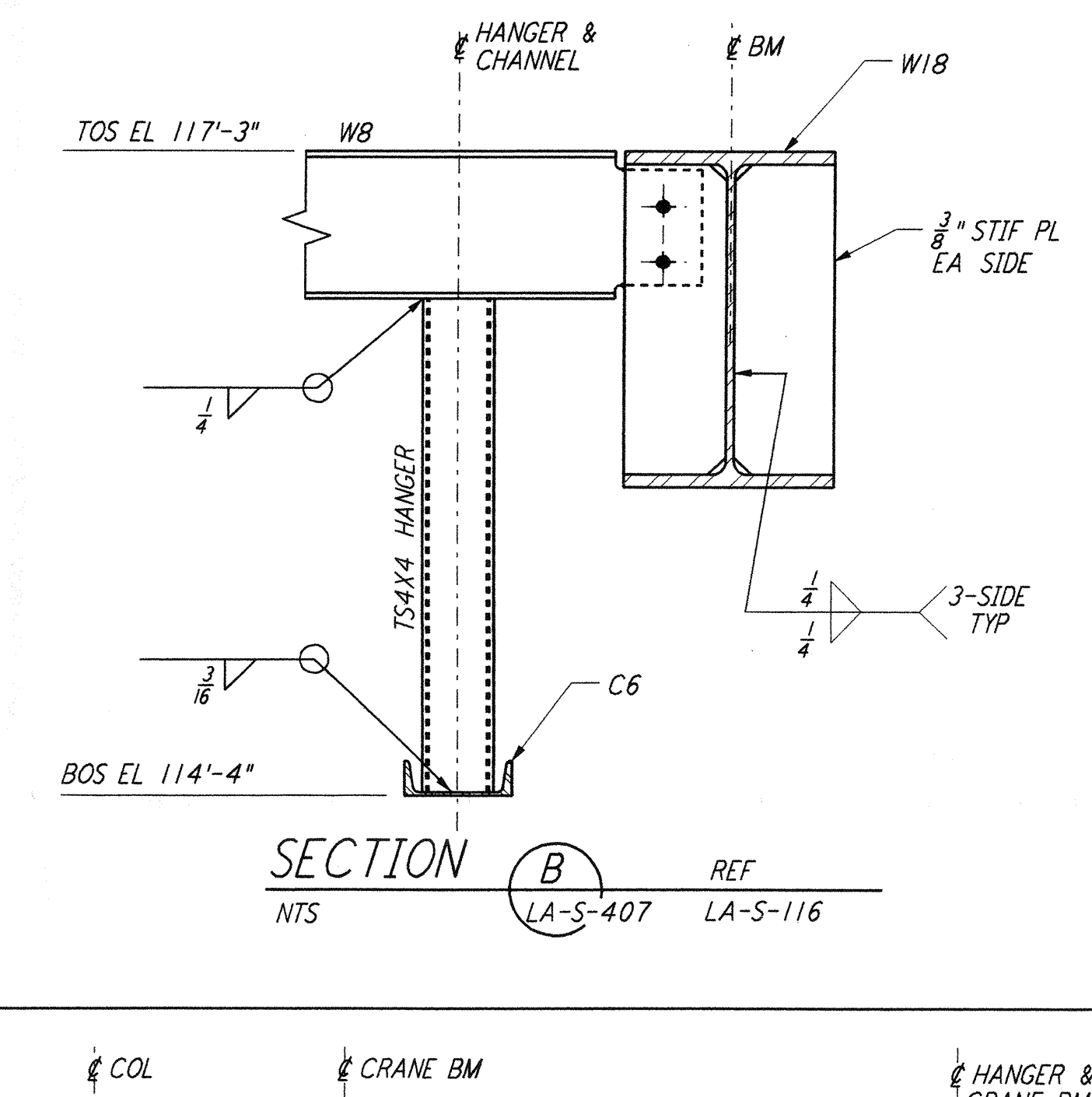
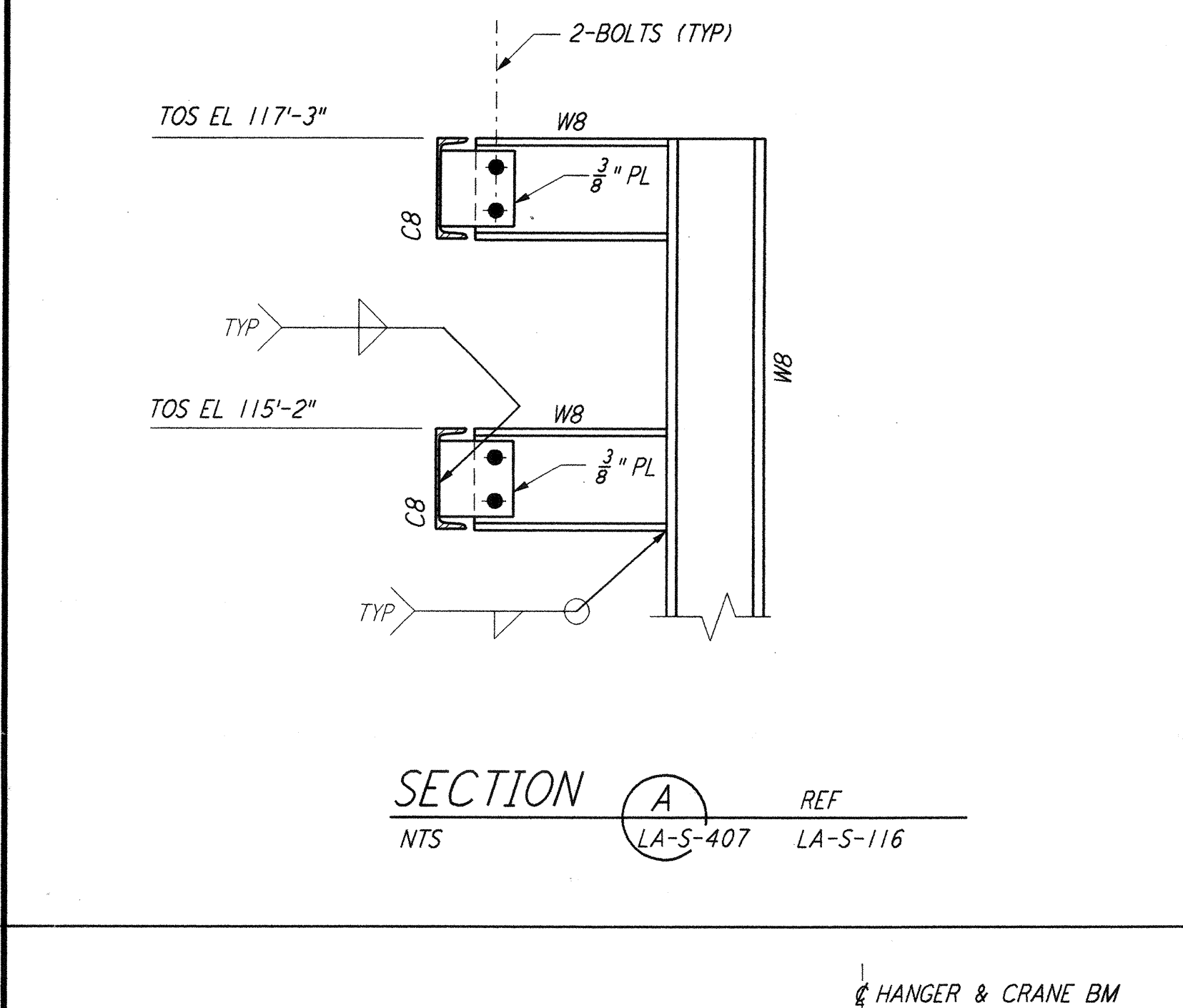
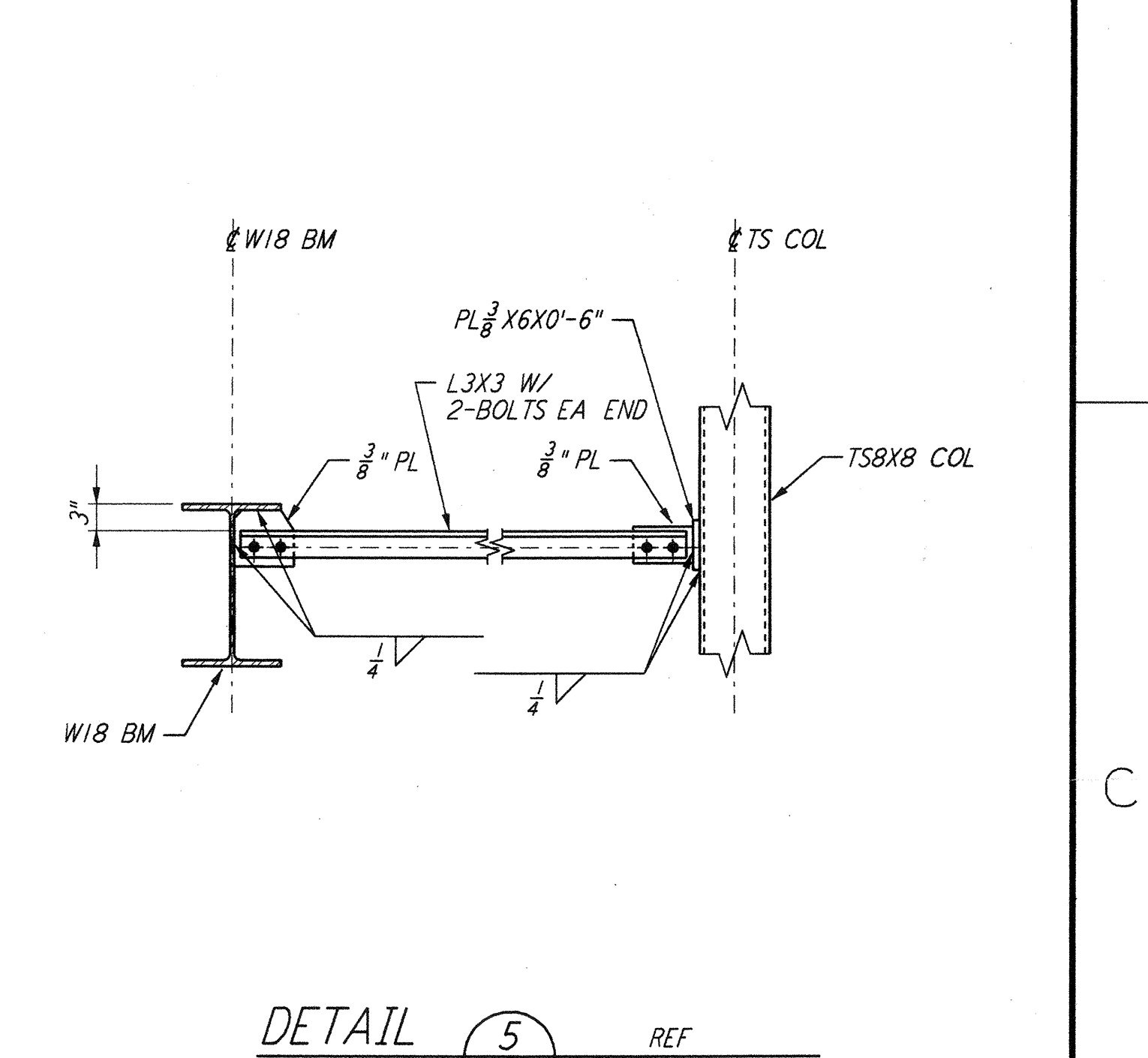
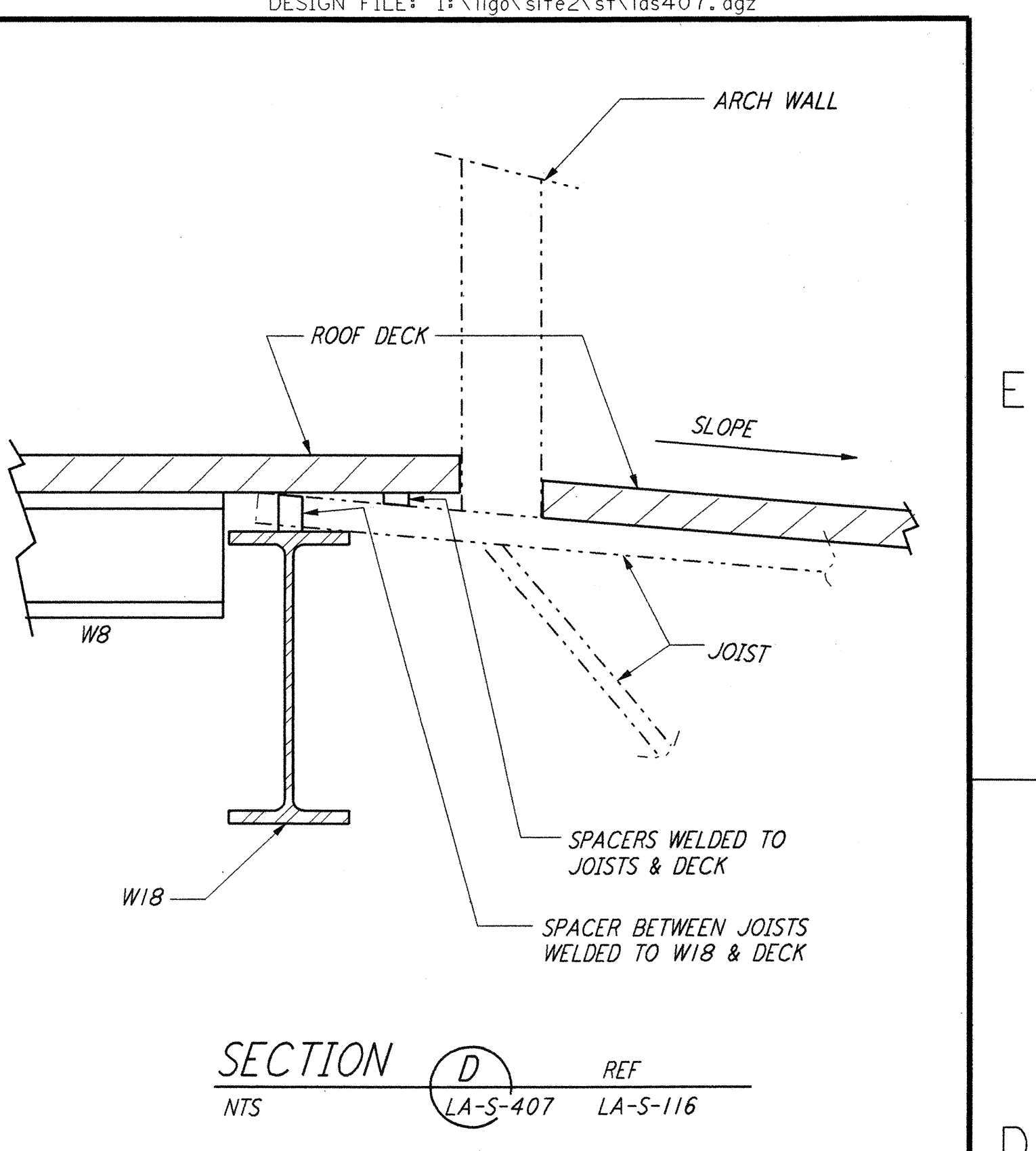
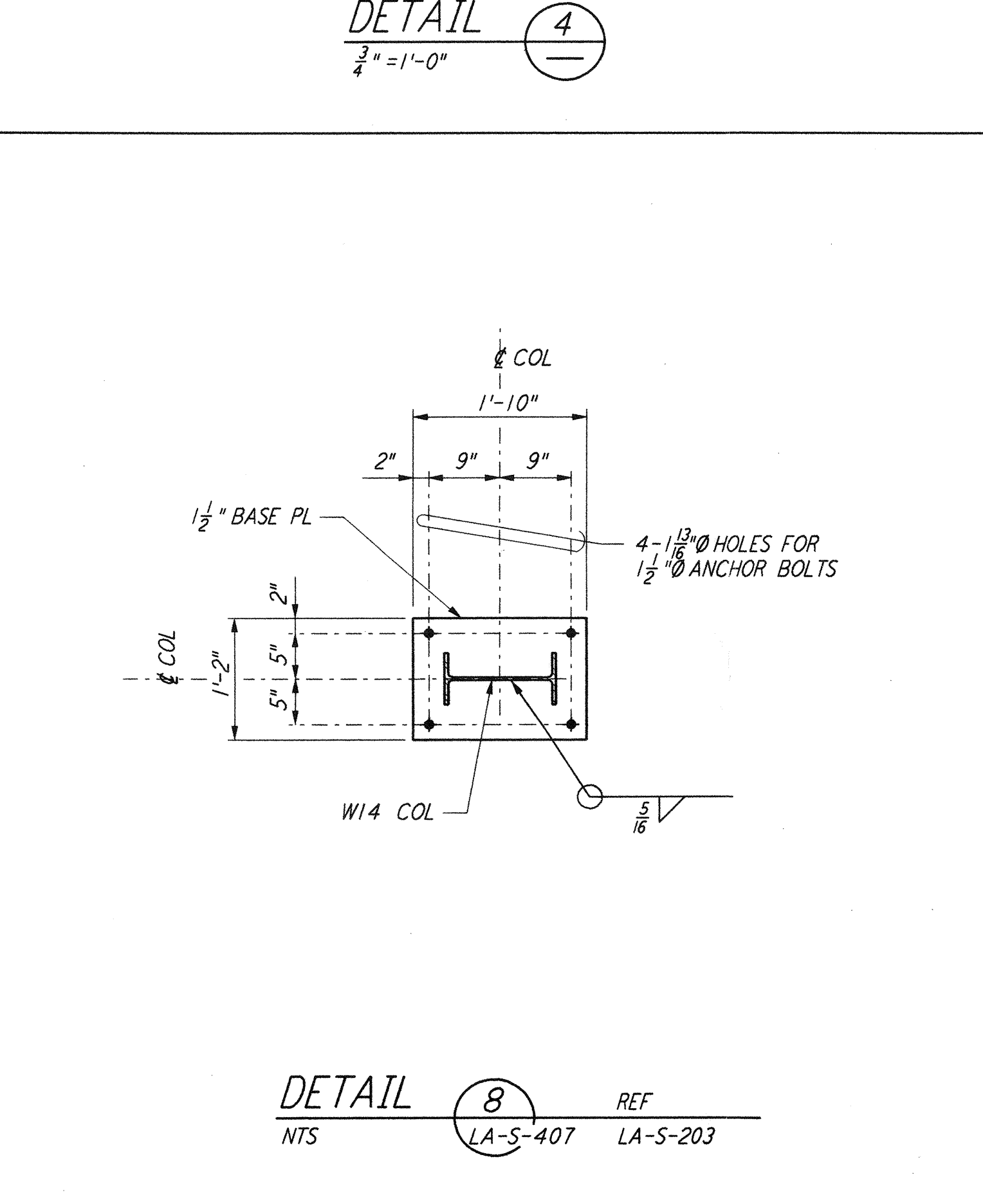
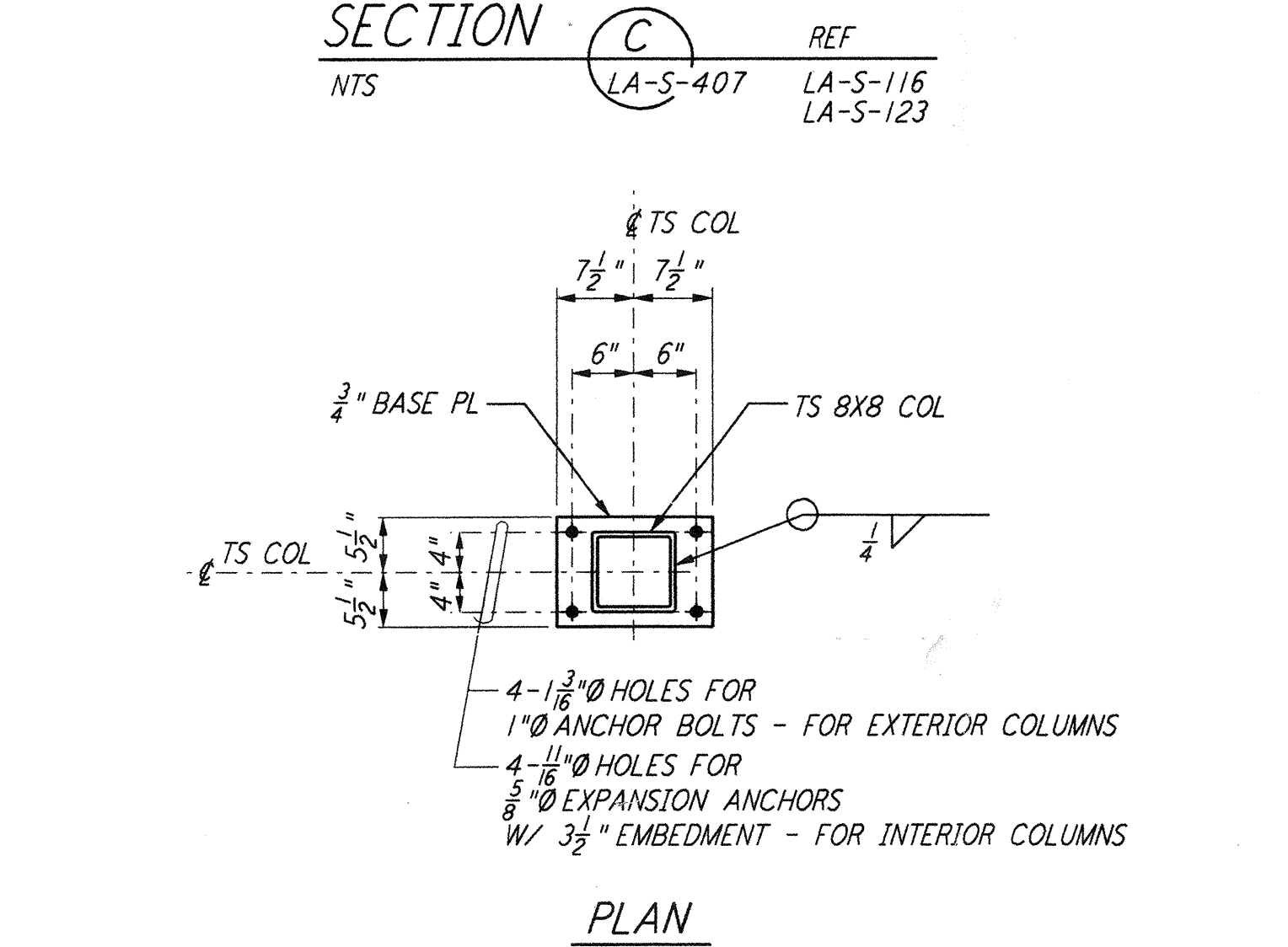
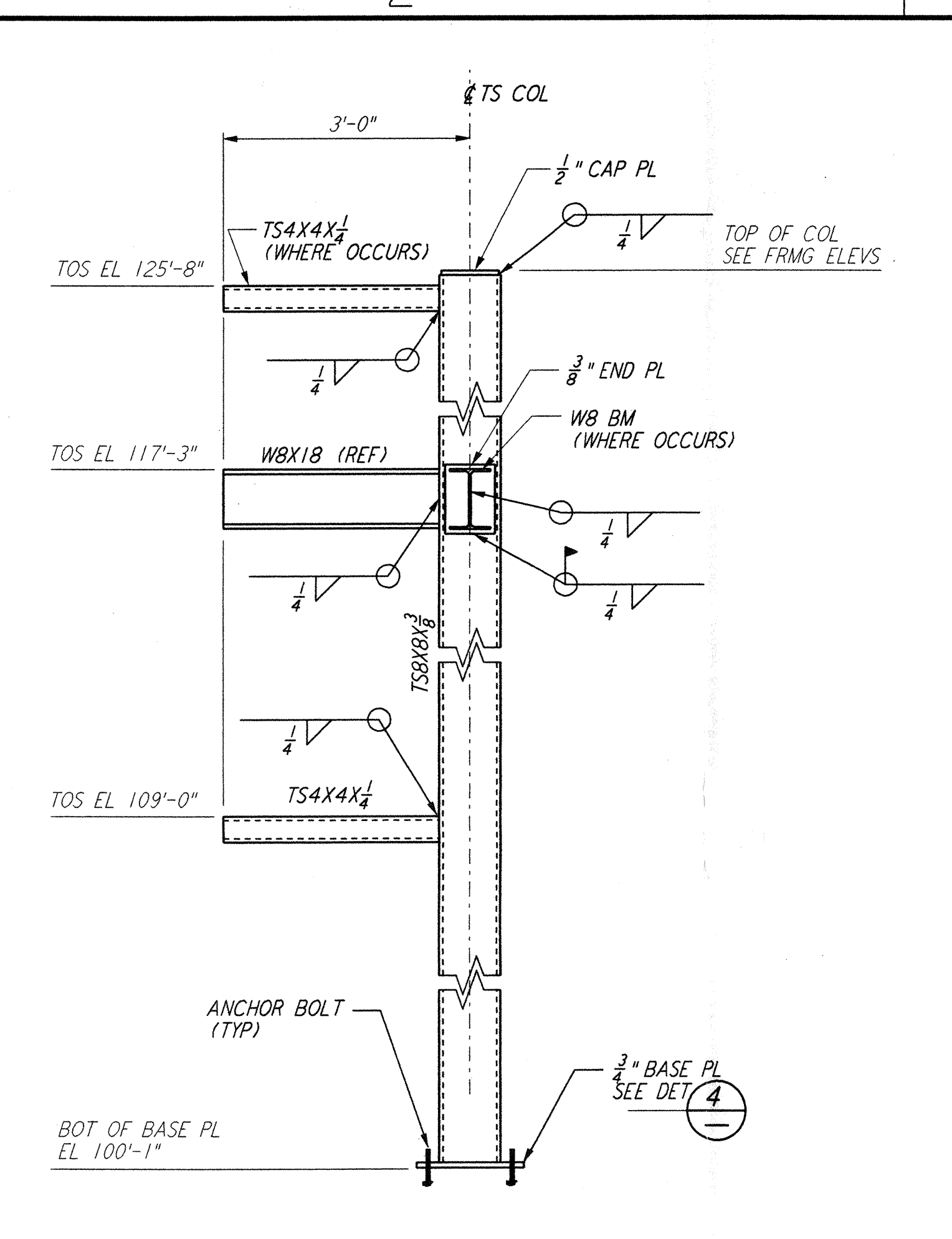
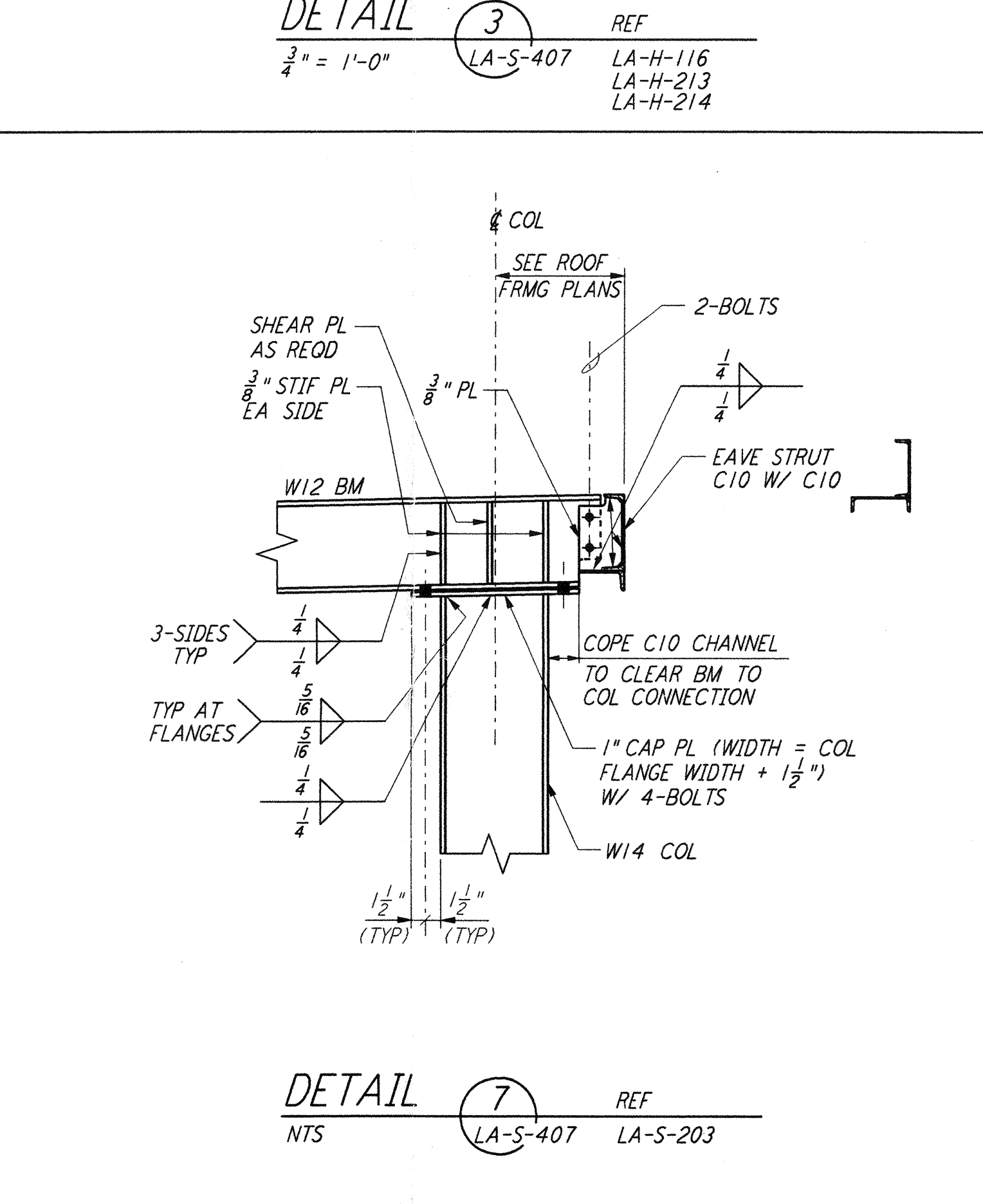
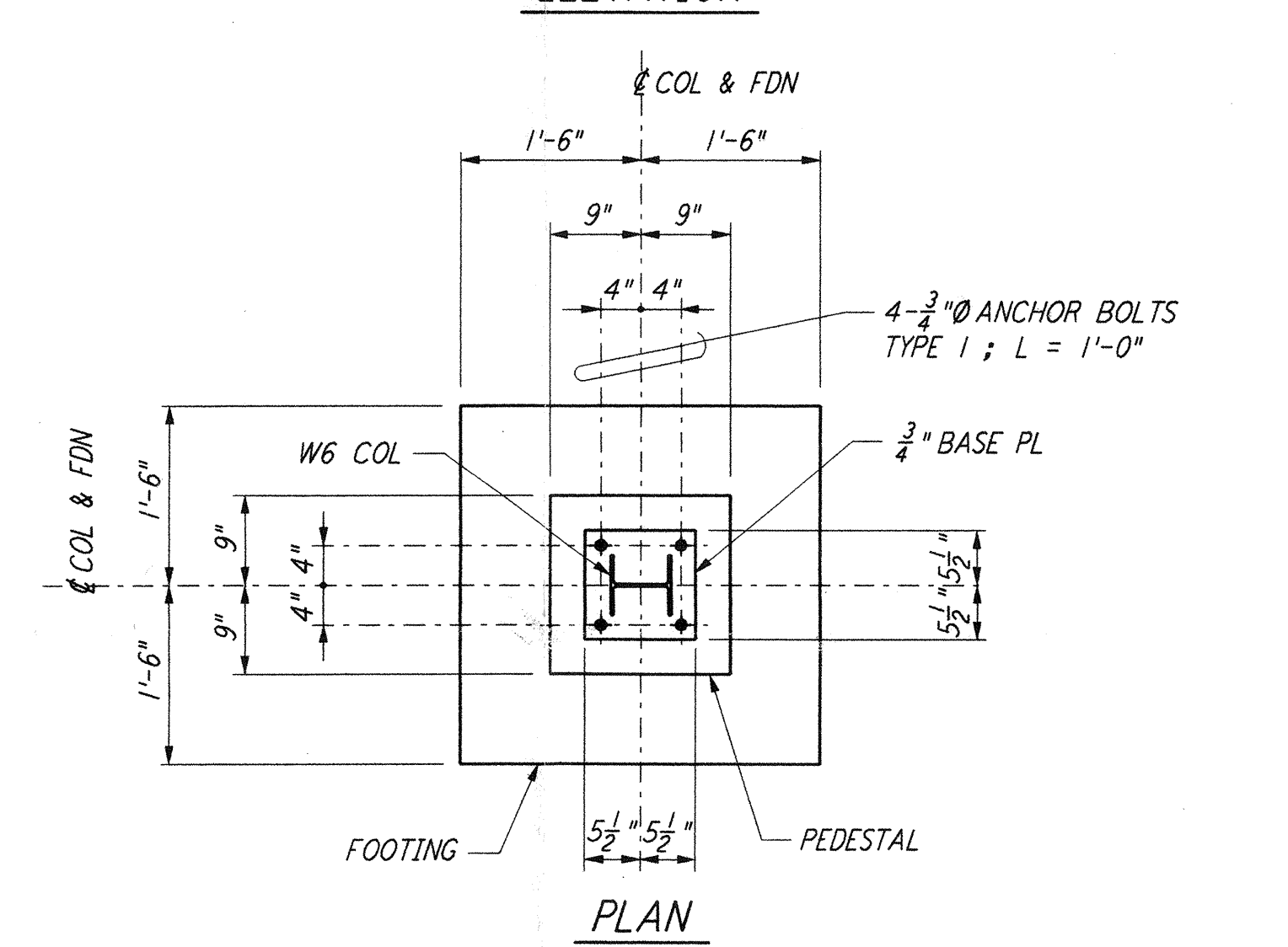
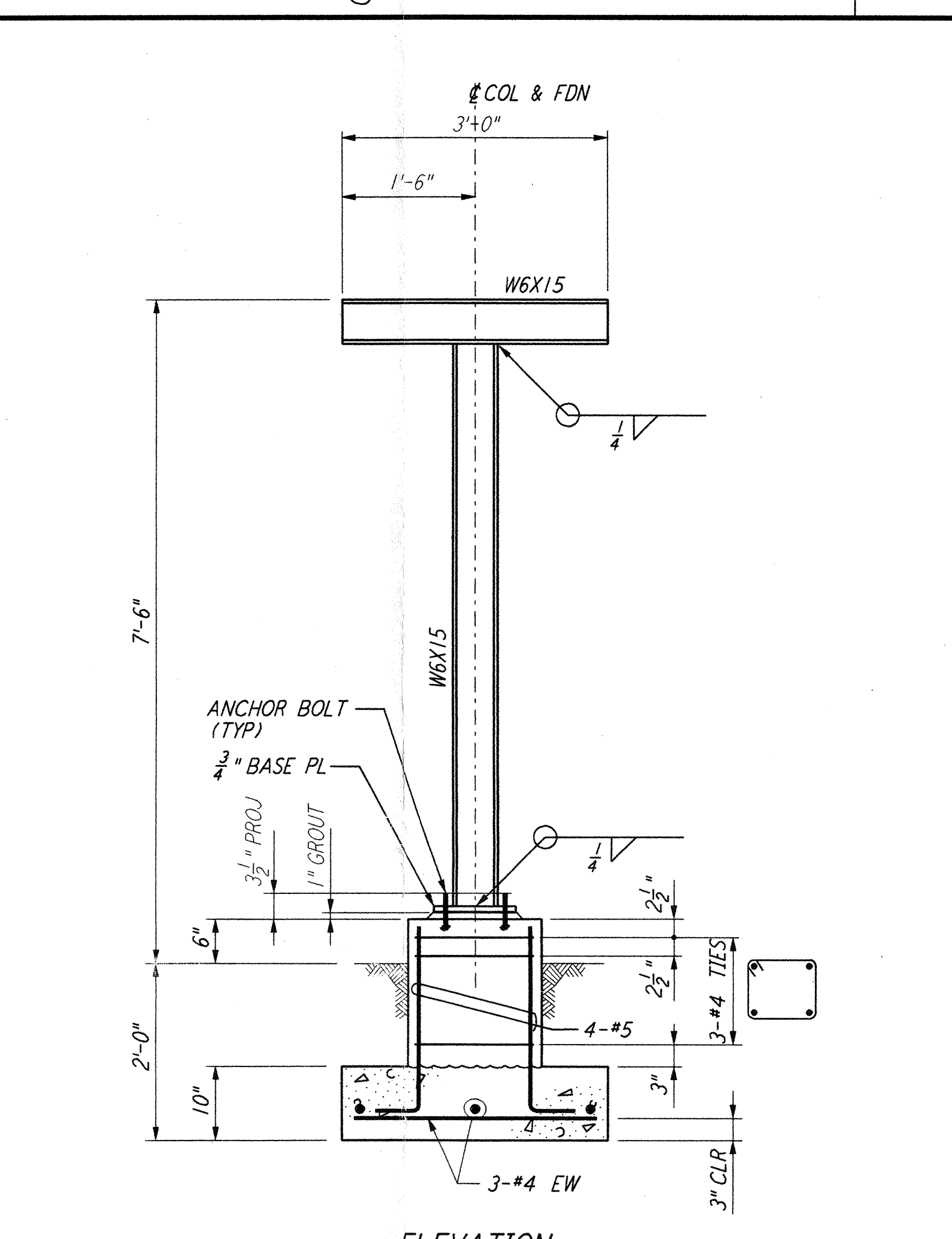
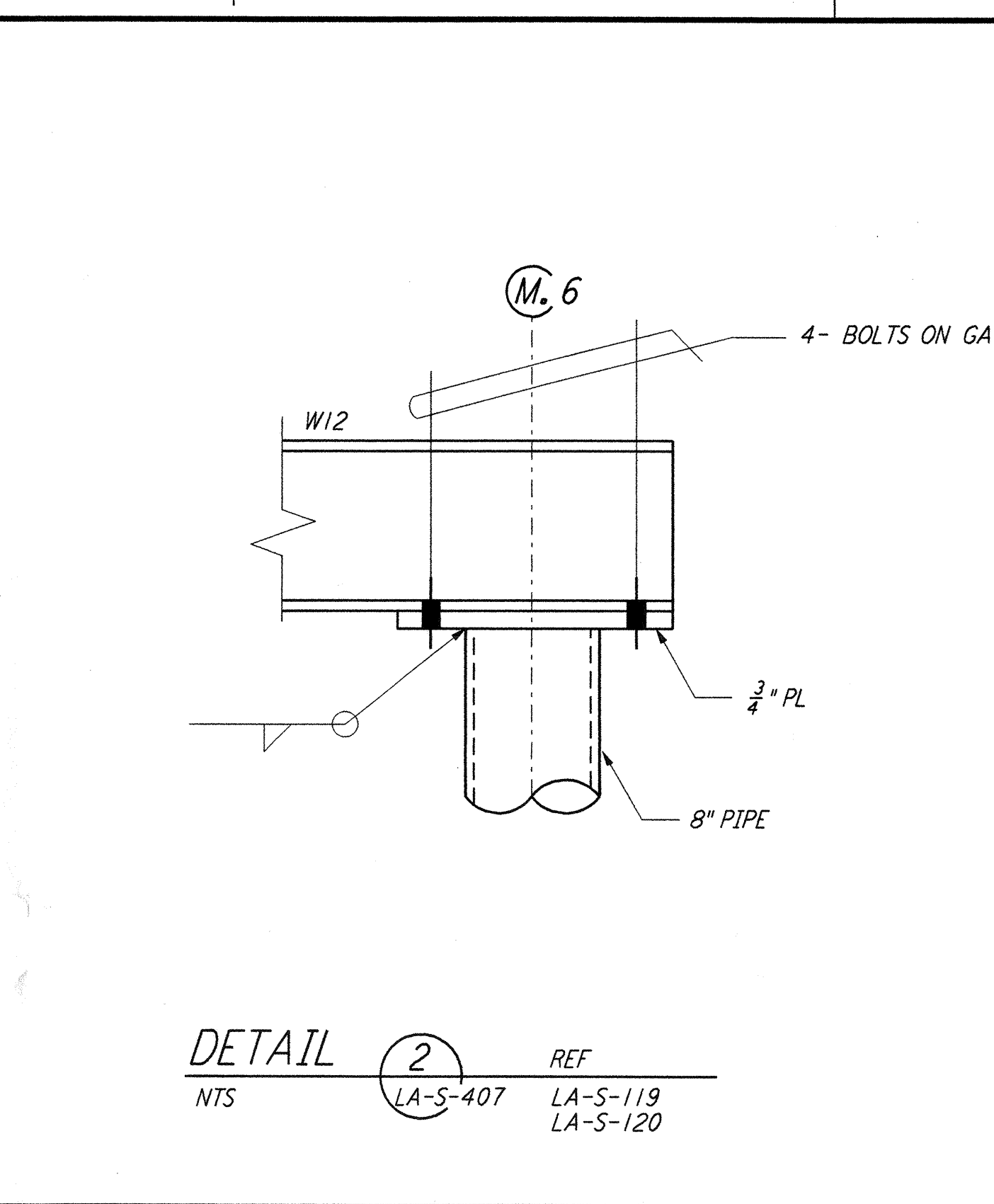
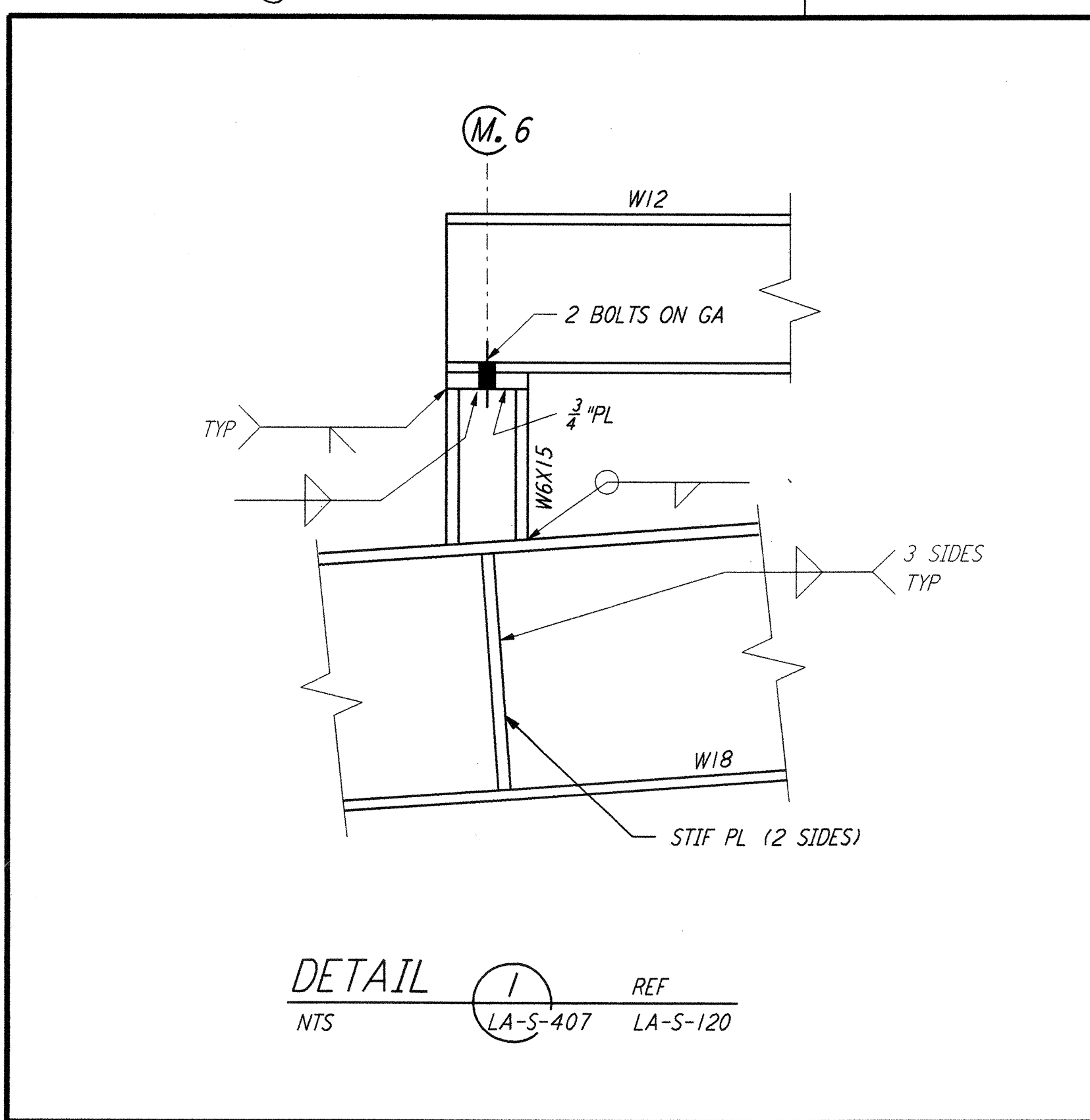


This document and the design it covers are the property of PARSONS. They are loaned only with the borrower's expressed written agreement that they will not be reproduced, copied, loaned, exhibited, or used in any other way, except by written consent from PARSONS to the borrower.



NO.	DATE	BY	CHKD	ENGR	PROJ	DESCRIPTION
2	08-07-98	WA	DDM	BP	BP	ISSUED FOR AS-BUILT
1	2-28-97	RM	AB	BP	BP	ADDED DET 9

ISSUED FOR CONSTRUCTION
 DRAWN MCS 11-15-96
 CHECKED DDM 11-15-96
 ENGINEER BP 11-15-96
 PROJ TDM 11-15-96

AS-BUILT DRAWINGS

PARSONS

100 WEST WALNUT STREET
 PASADENA, CALIFORNIA

LIGO

CALIFORNIA INSTITUTE OF TECHNOLOGY
 MASSACHUSETTS INSTITUTE OF TECHNOLOGY

LASER INTERFEROMETER
 GRAVITATIONAL-WAVE OBSERVATORY
 SITE NO. 2 - LIVINGSTON, LOUISIANA

STRUCTURAL STEEL SECTIONS & DETAILS

SCALE: AS NOTED
 CONTRACT NUMBER: PPI 50969
 PROJECT NUMBER: 8094

LA-S-407