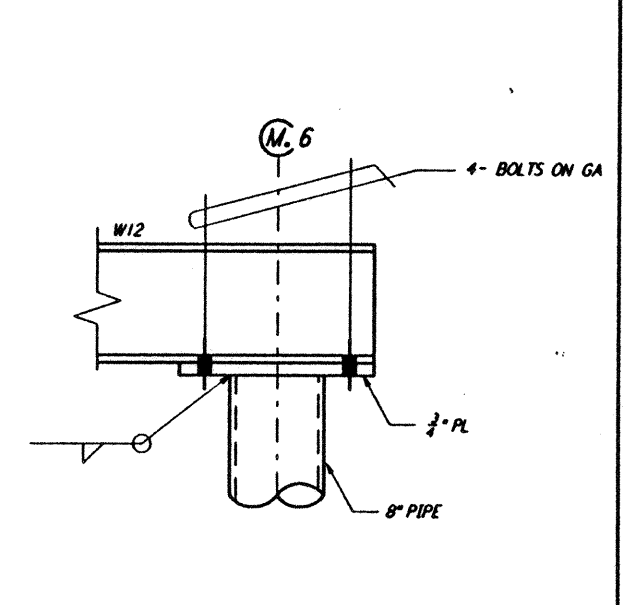
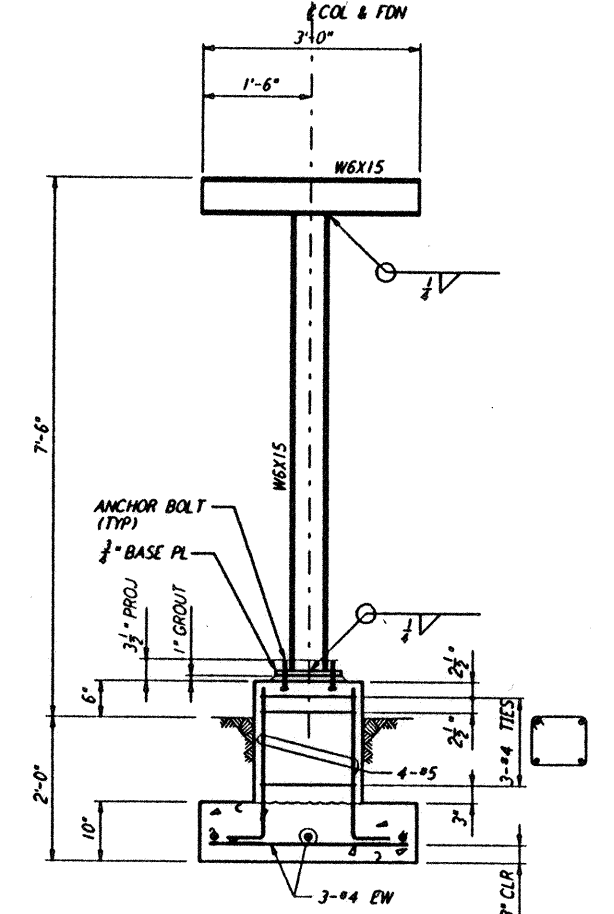


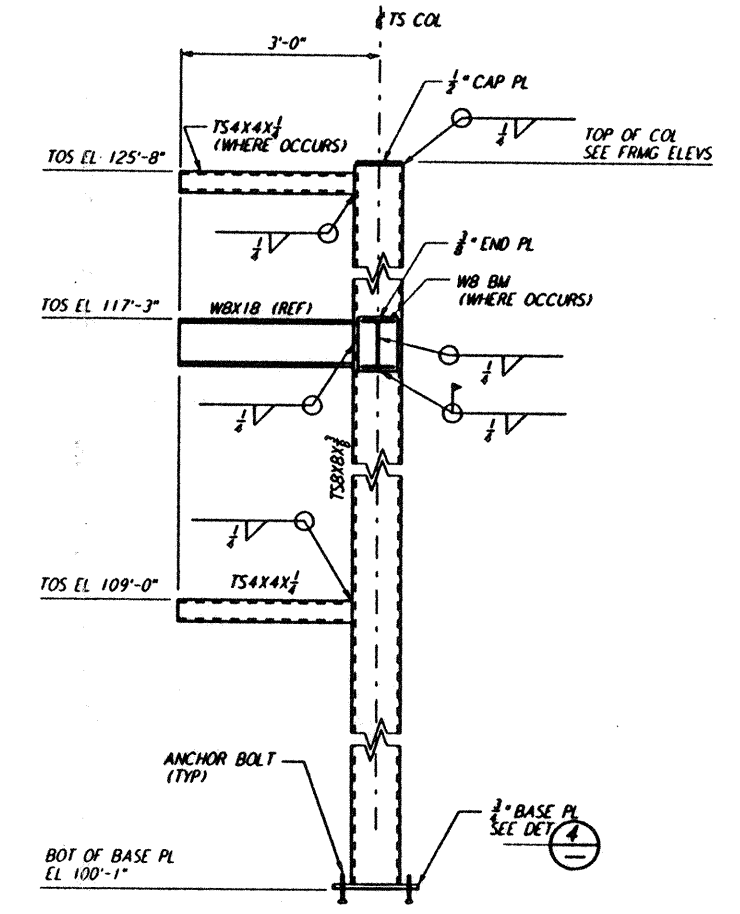
DETAIL 1 REF
 NTS LA-S-407 LA-S-120



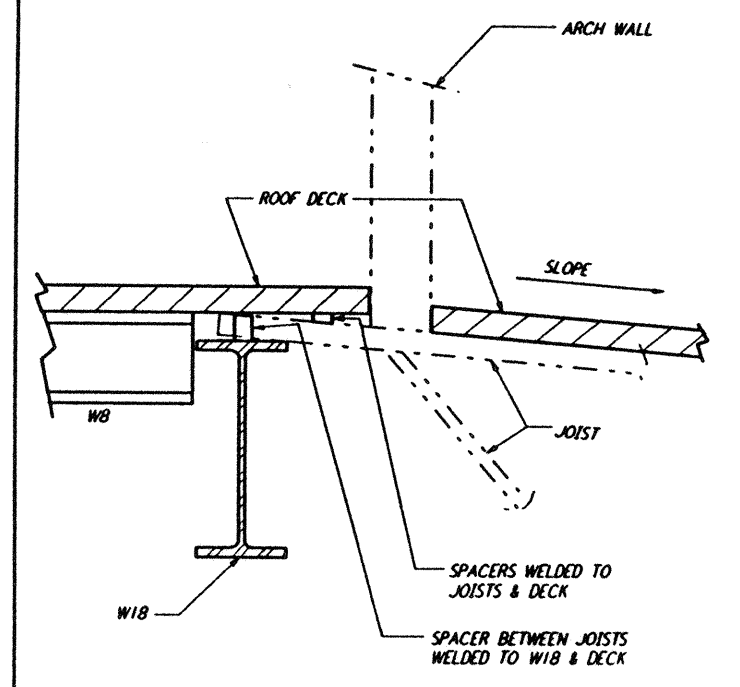
DETAIL 2 REF
 NTS LA-S-407 LA-S-119 LA-S-120



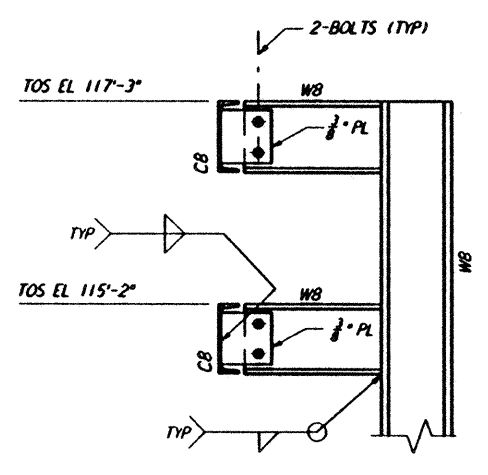
ELEVATION



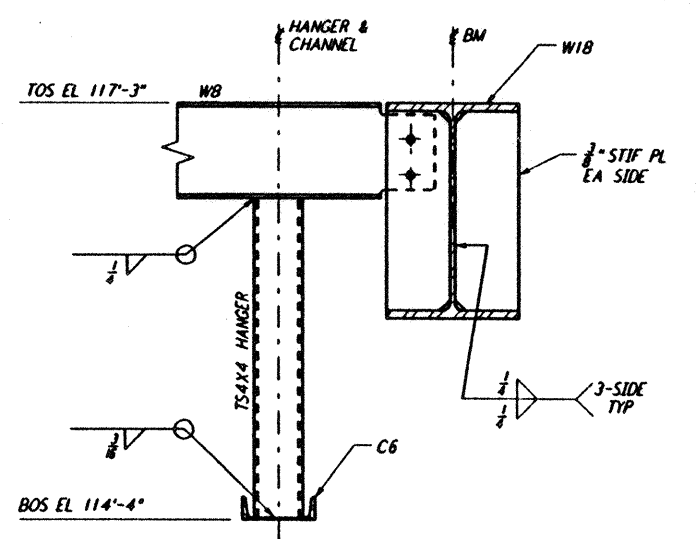
SECTION C REF
 NTS LA-S-407 LA-S-116 LA-S-123



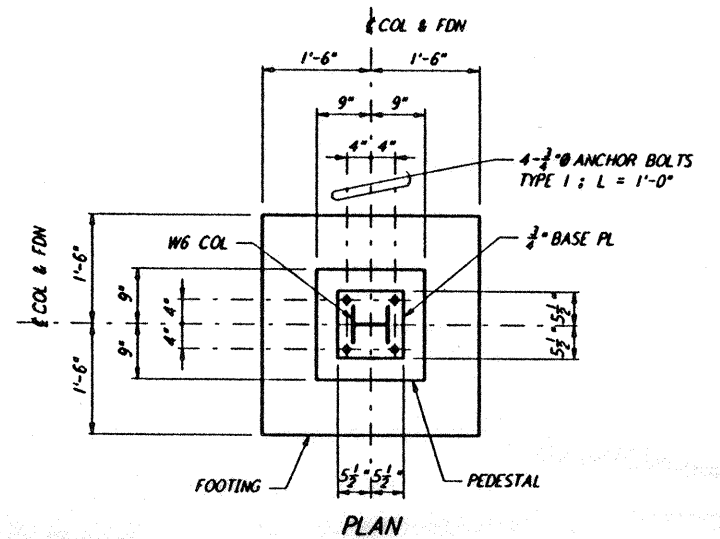
SECTION D REF
 NTS LA-S-407 LA-S-116



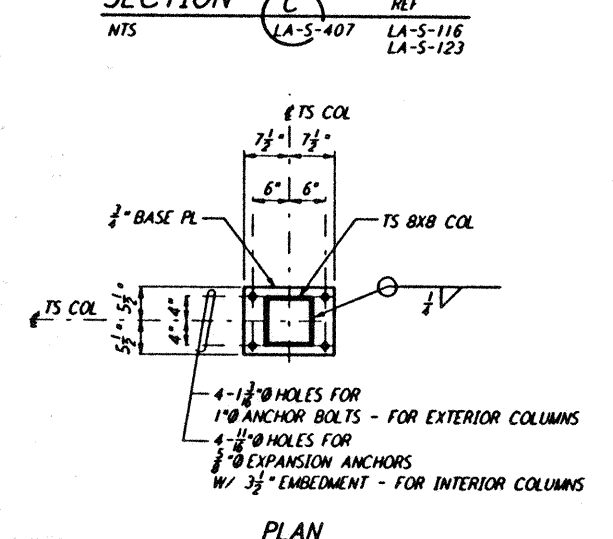
SECTION A REF
 NTS LA-S-407 LA-S-116



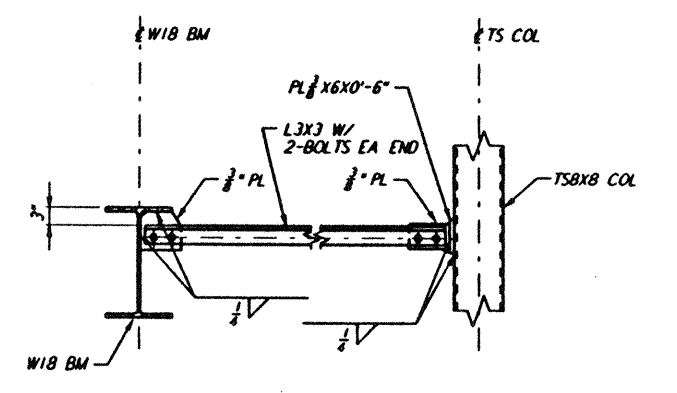
SECTION B REF
 NTS LA-S-407 LA-S-116



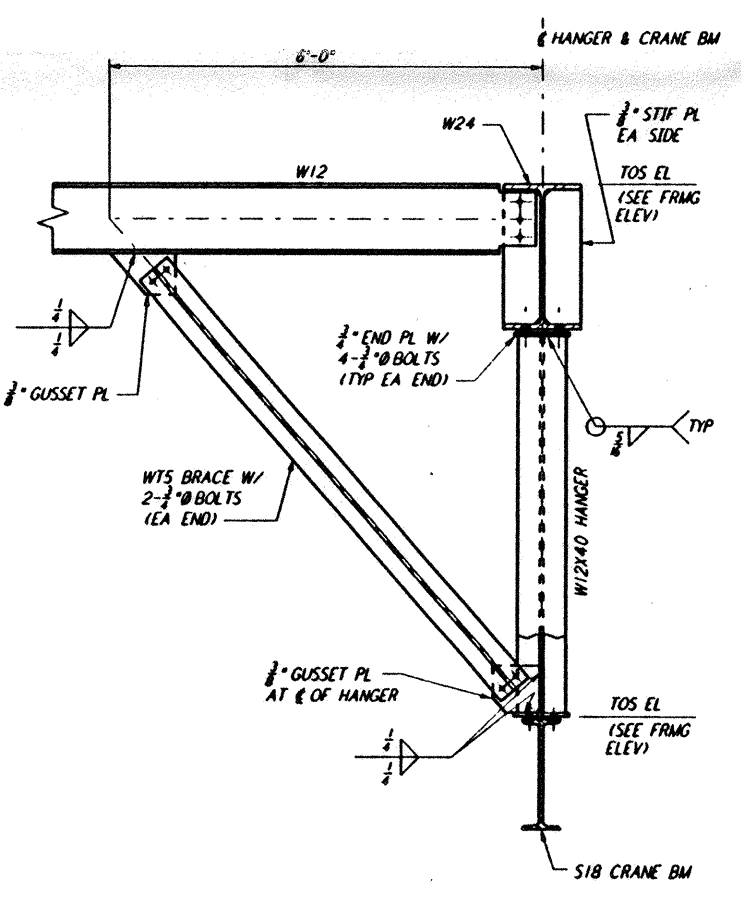
PLAN
 DETAIL 3 REF
 NTS LA-S-407 LA-S-116 LA-S-213 LA-S-214



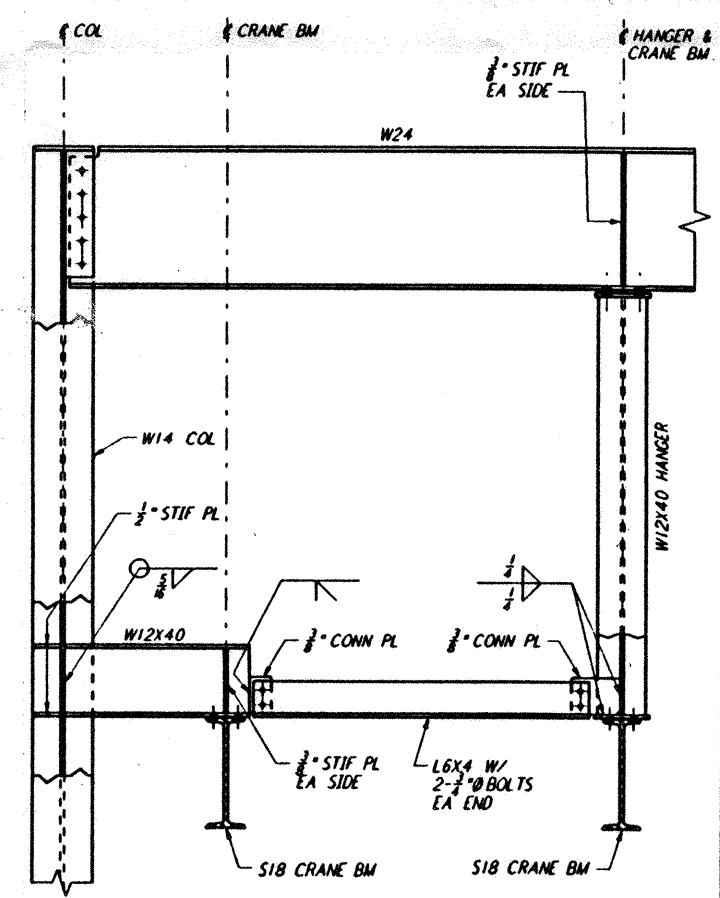
PLAN
 DETAIL 4 REF
 NTS LA-S-407 LA-S-116



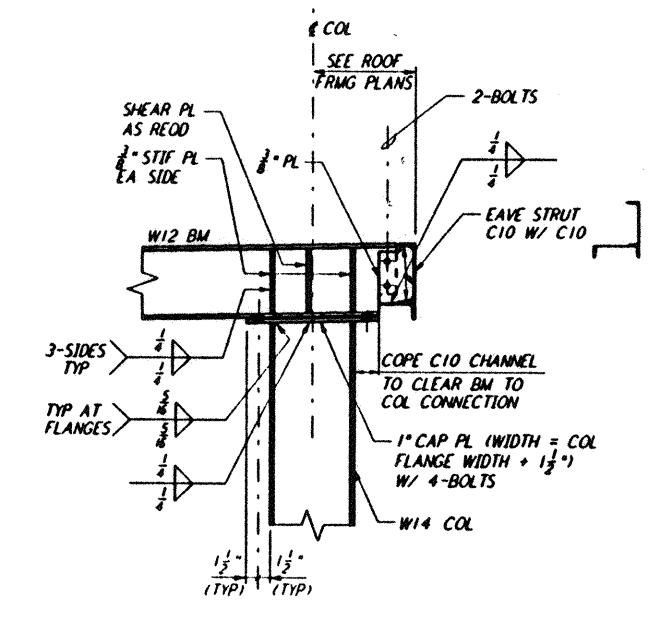
DETAIL 5 REF
 NTS LA-S-407 LA-S-116



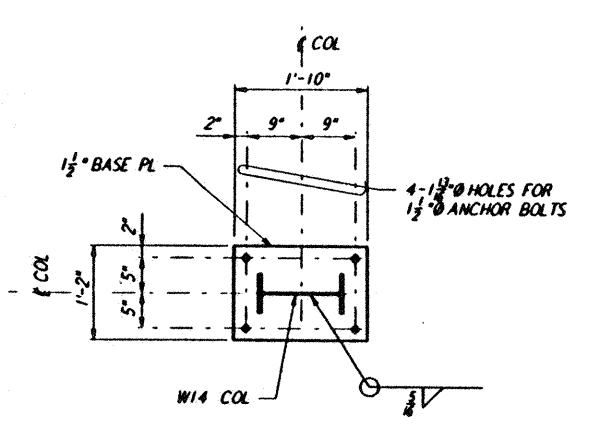
SECTION E REF
 NTS LA-S-407 LA-S-106



DETAIL 6 REF
 NTS LA-S-407 LA-S-113



DETAIL 7 REF
 NTS LA-S-407 LA-S-203



DETAIL 8 REF
 NTS LA-S-407 LA-S-203

NO.	DATE	BY	CHKD	ENGR	PROJ	DESCRIPTION
B	7-24-96	MCS				ISSUED FOR BID
A	6-14-96	MCS				FINAL DESIGN REVIEW

DRAWN	MCS
CHECKED	
ENGINEER	
PROJ	

PARSONS
 100 WEST WALNUT STREET
 PASADENA, CALIFORNIA

LIGO
 CALIFORNIA INSTITUTE OF TECHNOLOGY
 MASSACHUSETTS INSTITUTE OF TECHNOLOGY

LASER INTERFEROMETER
 GRAVITATIONAL-WAVE OBSERVATORY
 SITE NO. 2 - LIVINGSTON, LOUISIANA

SCALE	CONTRACT NUMBER	PROJECT NUMBER
AS NOTED	PP150969	8094
SHEET NUMBER		REVISION
LA-S-407		

Mon Jul 22 18:56:18 1996 S3-V18B2 J:\PLOTS\QUEUES\18B2\ST407.PRF
 This document and the design it covers are the property of PARSONS. They are loaned only with the borrower's expressed written agreement that they will not be reproduced, copied, loaned, exhibited, or used in any other way, except by written consent from PARSONS to the borrower.