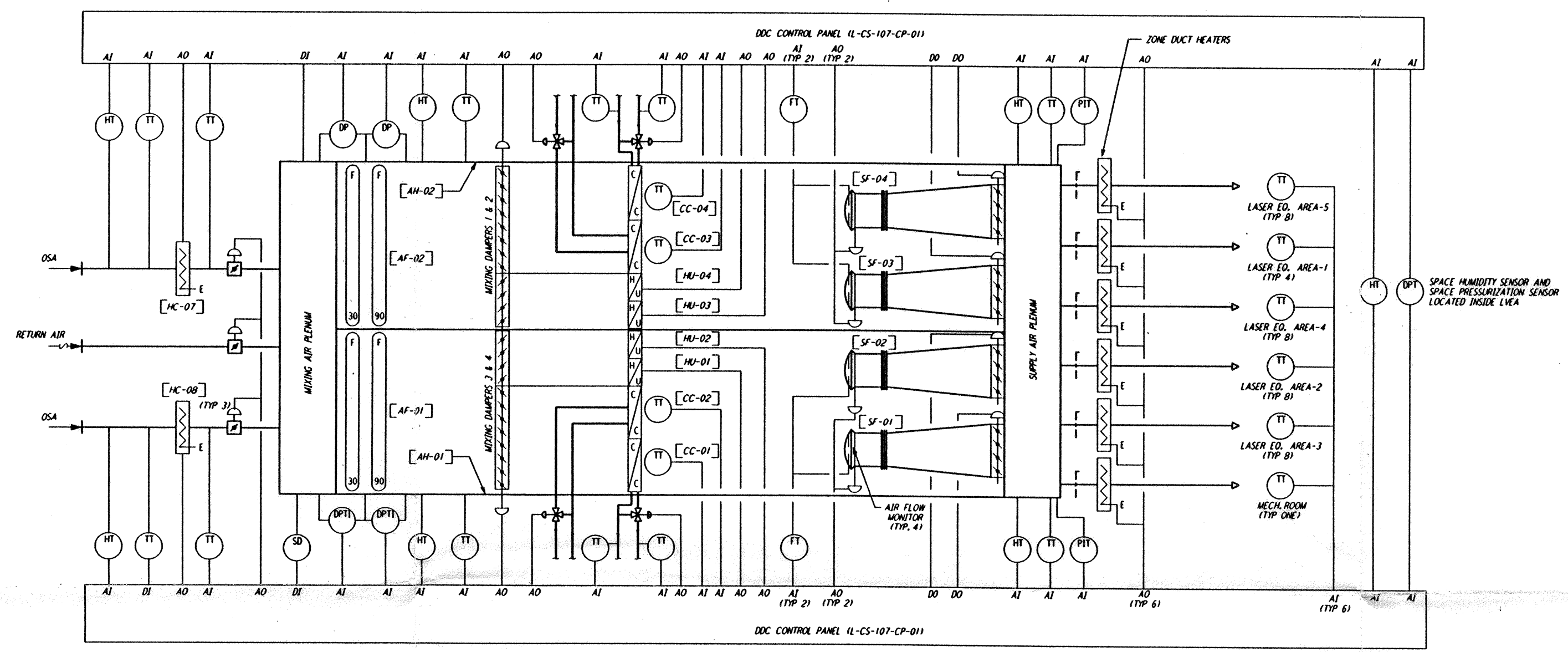
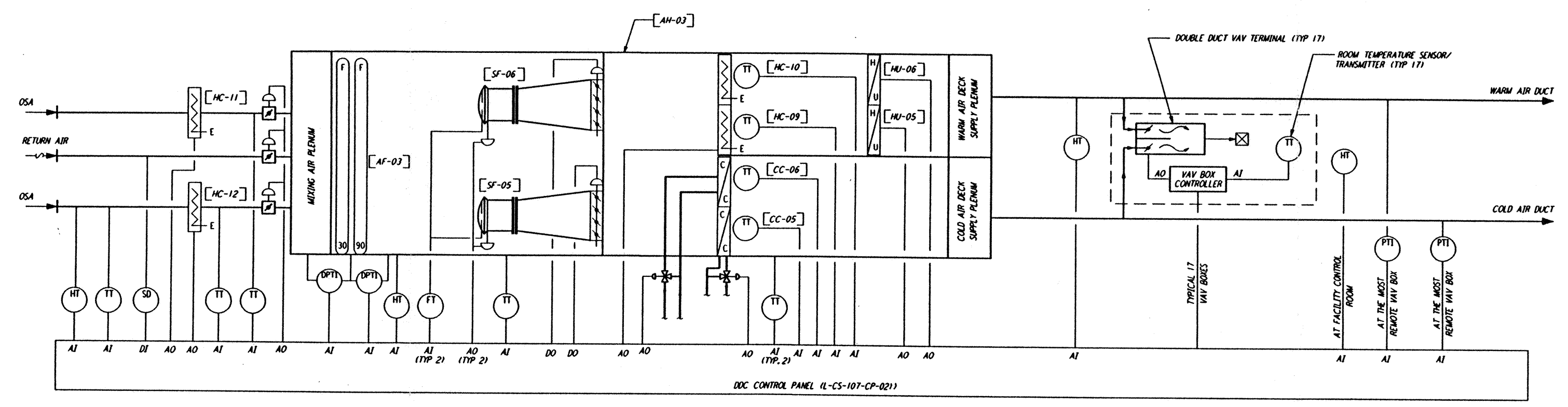


NOTES:
 1. FOR LEGEND, ABBREVIATIONS AND GENERAL NOTES SEE SHEETS LA-H-001 AND LA-H-002.
 2. SEE INPUT/OUTPUT SUMMARY SHEETS, SHEETS LA-H-141 AND LA-H-142 FOR ALARMS AND EQUIPMENT CONTROL.



LVEA AIR FLOW & CONTROL DIAGRAM (AH-01 & AH-02)



OSB AIR FLOW & CONTROL DIAGRAM (AH-03)

not be reproduced, copied, loaned, exhibited, or used in any other way, except by written consent from PARSONS to the borrower.

This document and the design it covers are the property of PARSONS. They are loaned only with the borrower's expressed written agreement that they will

NO.	DATE	BY	CHKD	ENGR	PROJ	DESCRIPTION
C	7-24-96	CLP	ME	AA	TDM	ISSUED FOR BID
B	6-14-96	CLP	ME	AA	TDM	FINAL DESIGN REVIEW
A	10-31-95	CLP	ME	AA	TDM	PRELIMINARY DESIGN REVIEW

DRAWN	CLP
CHECKED	
ENGINEER	
PROJ	

PARSONS
 100 WEST WALNUT STREET
 PASADENA, CALIFORNIA

LIGO
 CALIFORNIA INSTITUTE OF TECHNOLOGY
 MASSACHUSETTS INSTITUTE OF TECHNOLOGY

LASER INTERFEROMETER
 GRAVITATIONAL-WAVE OBSERVATORY
 SITE NO. 2 - LIVINGSTON, LOUISIANA

HVAC
 CORNER STATION
 AIR FLOW DIAGRAMS
 SHEET 1

SCALE: NONE
 CONTRACT NUMBER: PP150969
 PROJECT NUMBER: 8094

LA-H-122

Mon Jul 22 13:29:35 1996 s3-v18b2 J:\PLOTS\QUEUES\18B2\MU122B.PRF