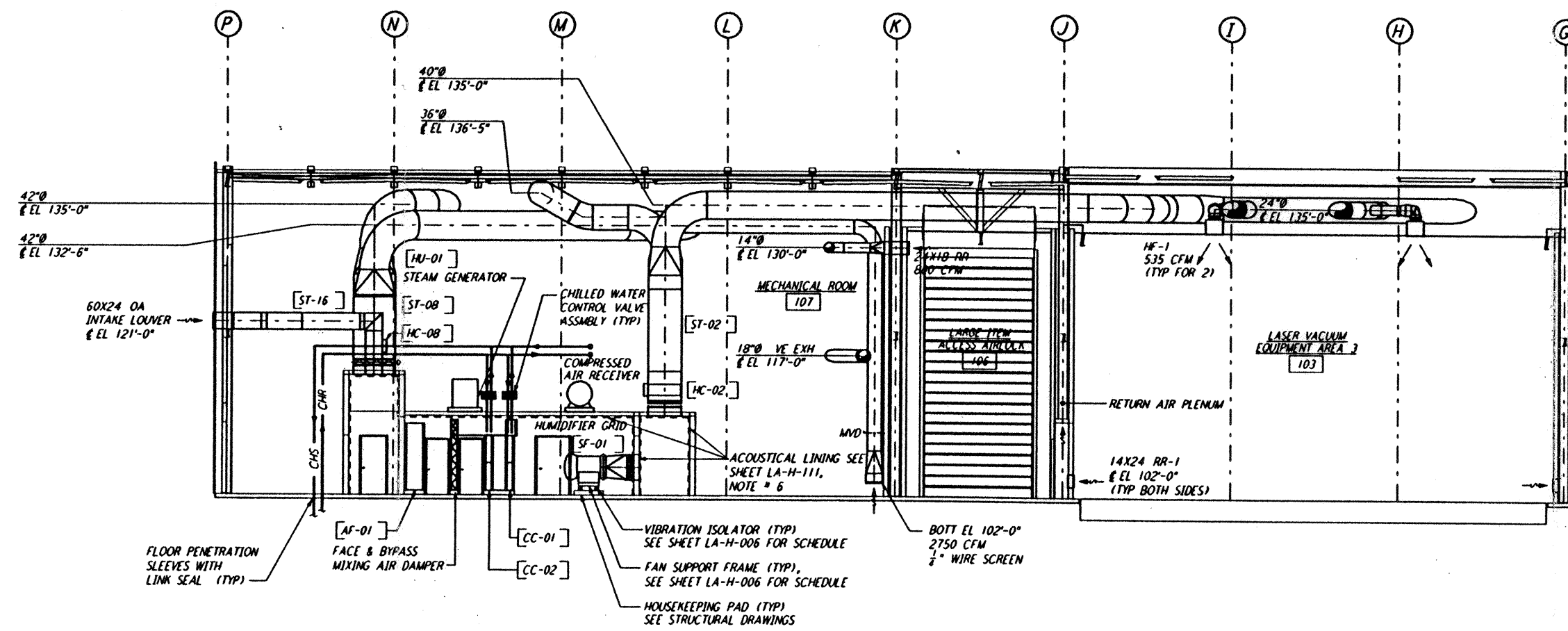
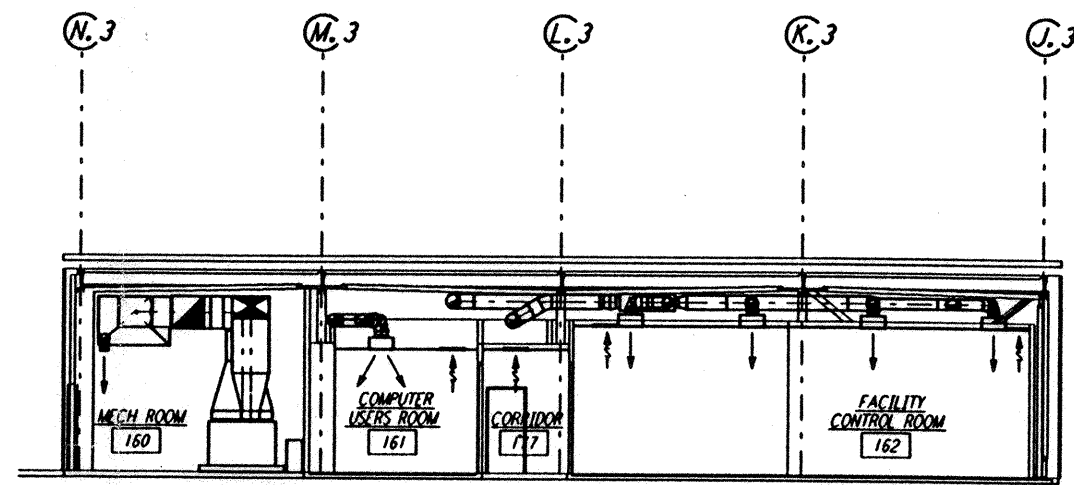


NOTES:

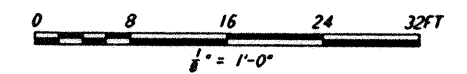
1. FOR LEGEND, ABBREVIATIONS AND GENERAL NOTES SEE SHEET LA-H-001 AND LA-H-002.
2. SEE SHEET LA-H-151 FOR APPLICABLE NOTES.
3. PERFORATED DUCT LINER INSIDE THE SUPPLY AIR PLENUM OF AH-01 AND AH-02 WILL BE CORRUGATED TYPE.



SECTION B REF
 LA-H-152 LA-H-111
 1/8" = 1'-0"



SECTION C REF
 LA-H-152 LA-H-113
 1/8" = 1'-0"



This document and the design it covers are the property of PARSONS. They are loaned only with the borrower's expressed written agreement that they will not be reproduced, copied, loaned, exhibited, or used in any other way, except by written consent from PARSONS to the borrower.

This document and the design it covers are the property of PARSONS. They are loaned only with the borrower's expressed written agreement that they will not be reproduced, copied, loaned, exhibited, or used in any other way, except by written consent from PARSONS to the borrower.

| NO. | DATE | BY | CHKD | ENGR | PROJ | DESCRIPTION |
|-----|---------|-----|------|------|------|---------------------|
| B | 7-24-96 | CLP | ME | AA | TDM | ISSUED FOR BID |
| A | 6-14-96 | CLP | ME | AA | TDM | FINAL DESIGN REVIEW |

| | |
|----------|-----|
| DRAWN | CLP |
| CHECKED | |
| ENGINEER | |
| PROJ | |

PARSONS
 100 WEST WALNUT STREET
 PASADENA, CALIFORNIA

LIGO
 CALIFORNIA INSTITUTE OF TECHNOLOGY
 MASSACHUSETTS INSTITUTE OF TECHNOLOGY

| | |
|--|------------------------|
| LASER INTERFEROMETER GRAVITATIONAL-WAVE OBSERVATORY SITE NO. 2 - LIVINGSTON, LOUISIANA | |
| TITLE | SCALE |
| HVAC CORNER STATION SECTIONS SHEET 2 | AS NOTED |
| CONTRACT NUMBER PPI 50969 | PROJECT NUMBER 8094 |
| SHEET NUMBER LA-H-152 | |

Mon Jul 22 16:33:42 1996 s3-v18b2 J:\PLOTS\QUEUES\V18B2\MU152B.PR