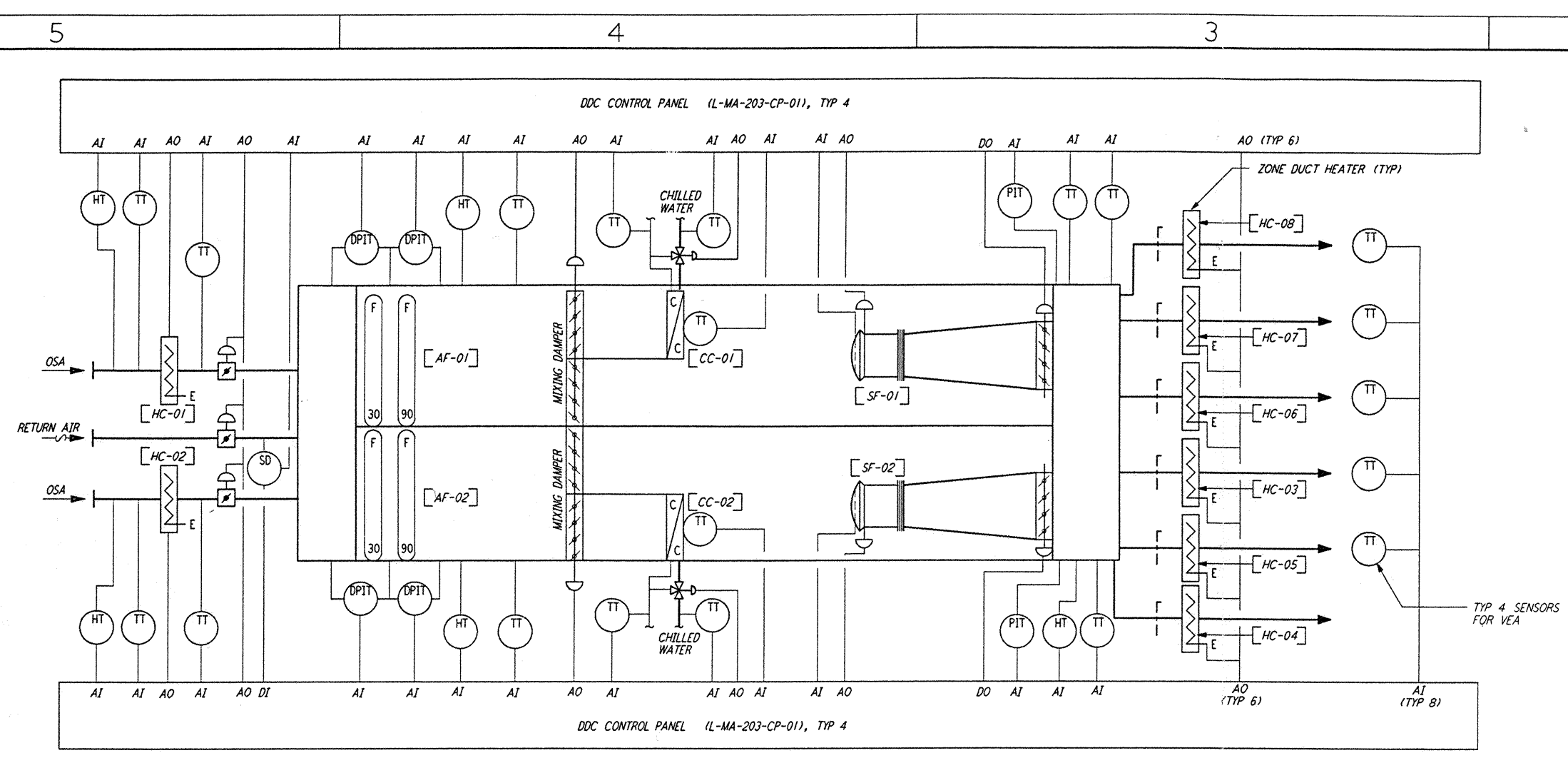
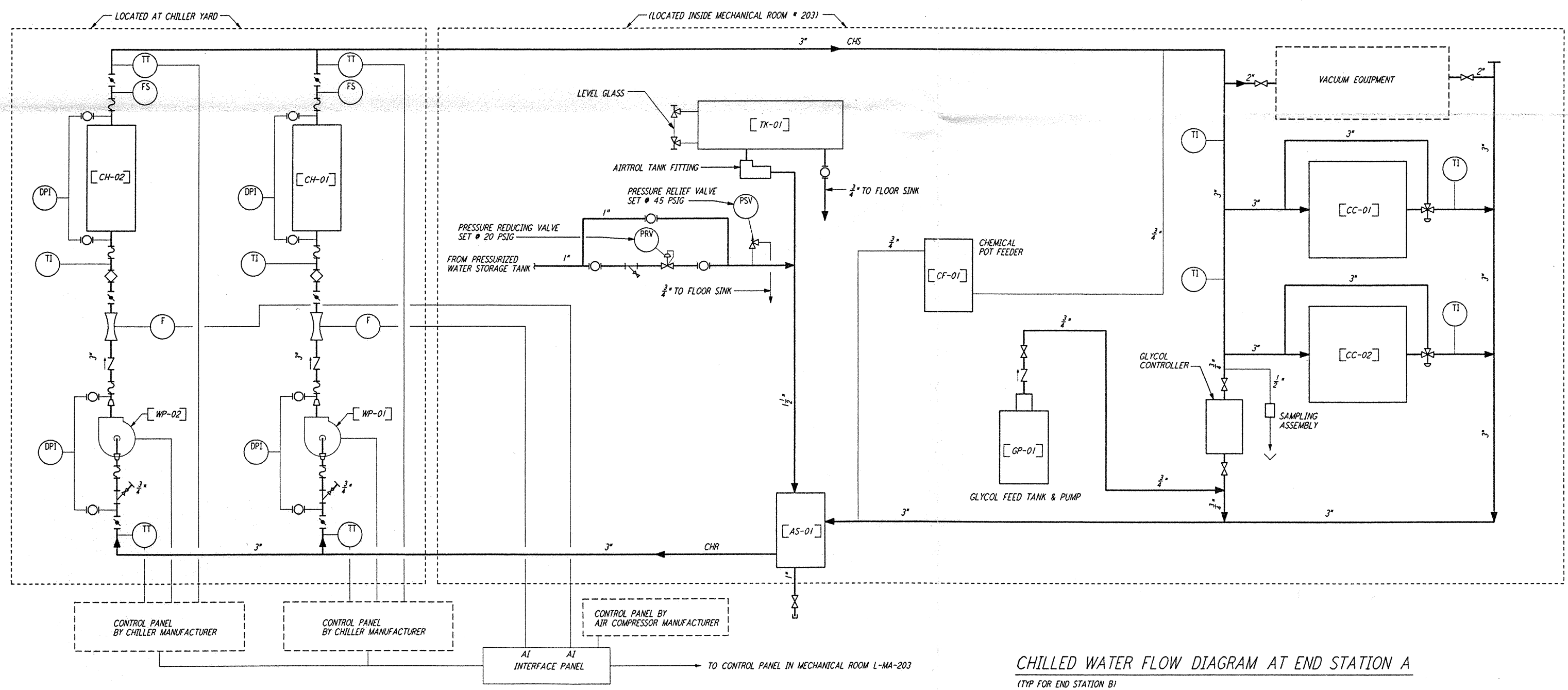


- NOTES:**
- FOR LEGEND, ABBREVIATIONS AND GENERAL NOTES SEE SHEETS LA-H-001 AND LA-H-002.
  - FOR PIPING DETAILS OF COOLING COILS, WATER CHILLERS, PUMPS AND CHEMICAL POT FEEDERS SEE SHEETS LA-H-411 AND LA-H-412.



**END STATION A CONTROL DIAGRAM**  
 (TYP FOR END STATION B)



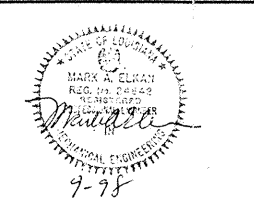
**CHILLED WATER FLOW DIAGRAM AT END STATION A**  
 (TYP FOR END STATION B)

This document and the design it covers are the property of PARSONS. They are loaned only with the borrower's expressed written agreement that they will not be reproduced, copied, loaned, exhibited, or used in any other way, except by written consent from PARSONS to the borrower.

This document and the design it covers are the property of PARSONS. They are loaned only with the borrower's expressed written agreement that they will not be reproduced, copied, loaned, exhibited, or used in any other way, except by written consent from PARSONS to the borrower.

NO.	DATE	BY	CHKD	ENGR	PROJ	DESCRIPTION

ISSUED FOR CONSTRUCTION	CLP	11-15-96
DRAWN	AA	10-23-96
CHECKED	AA	10-23-96
ENGINEER	AA	10-23-96
PROJ	20277	11/15/96



**PARSONS**

100 WEST WALNUT STREET  
 PASADENA, CALIFORNIA

**LIGO**

CALIFORNIA INSTITUTE OF TECHNOLOGY  
 MASSACHUSETTS INSTITUTE OF TECHNOLOGY

LASER INTERFEROMETER  
 GRAVITATIONAL-WAVE OBSERVATORY  
 SITE NO. 2 - LIVINGSTON, LOUISIANA

TITLE: HVAC  
 END STATION  
 CHILLED WATER & AIR FLOW  
 DIAGRAMS

SCALE: NONE  
 CONTRACT NUMBER: PP150969  
 PROJECT NUMBER: 8094

SHEET NUMBER: **LA-H-221**