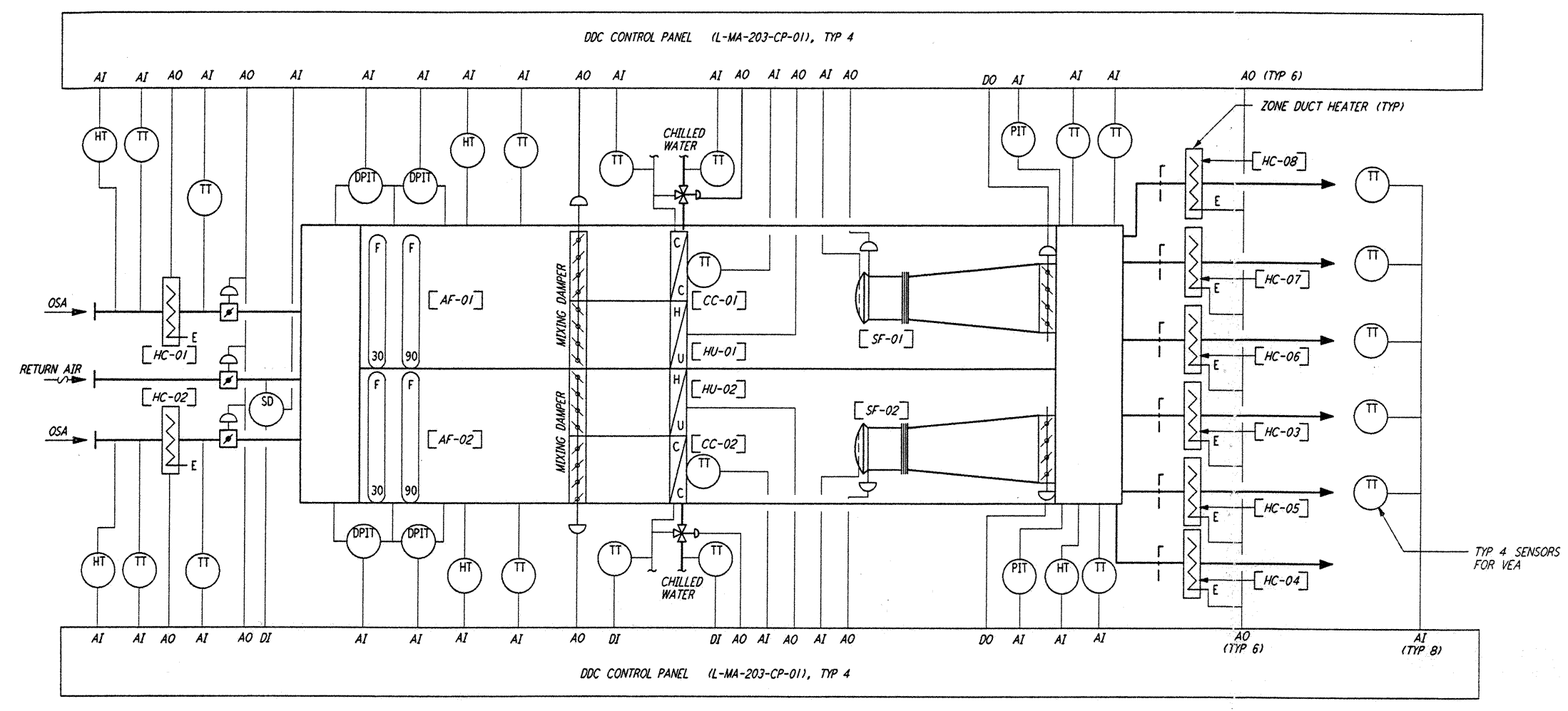


This document and the design it covers are the property of PARSONS. They are loaned only with the borrower's expressed written agreement that they will not be reproduced, copied, loaned, exhibited, or used in any other way, except by written consent from PARSONS to the borrower.

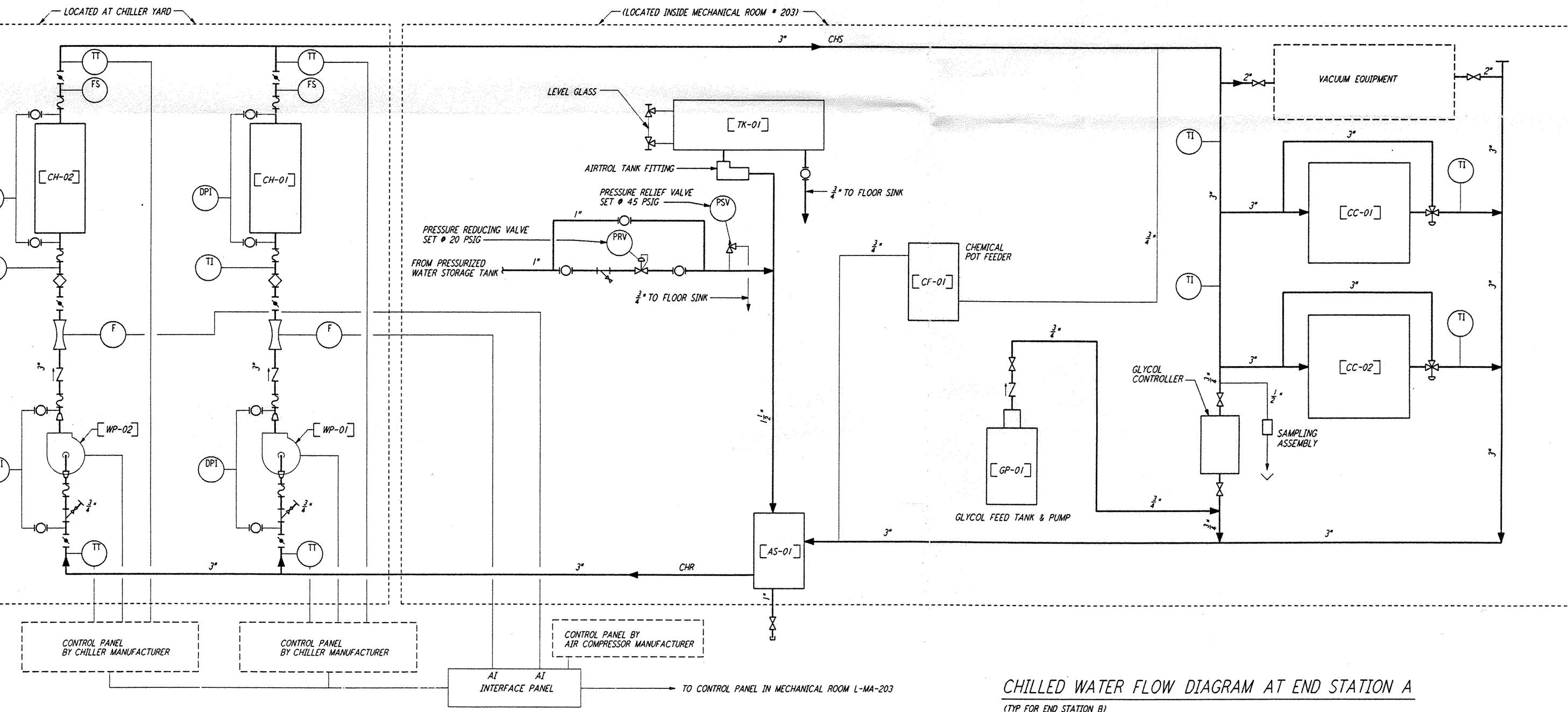
This document and the design it covers are the property of PARSONS. They are loaned only with the borrower's expressed written agreement that they will not be reproduced, copied, loaned, exhibited, or used in any other way, except by written consent from PARSONS to the borrower.

5 4 3 2



END STATION A CONTROL DIAGRAM
 (TYP FOR END STATION B)

- NOTES:**
- FOR LEGEND, ABBREVIATIONS AND GENERAL NOTES SEE SHEETS LA-H-001 AND LA-H-002.
 - FOR PIPING DETAILS OF COOLING COILS, WATER CHILLERS, PUMPS AND CHEMICAL POT FEEDERS SEE SHEETS LA-H-411 AND LA-H-412.



CHILLED WATER FLOW DIAGRAM AT END STATION A
 (TYP FOR END STATION B)

LIGO-D960988-B-0

NO.	DATE	BY	CHKD	ENGR	PROJ	DESCRIPTION
B	6-14-96	CLP				FINAL DESIGN REVIEW
A	10-31-95	CLP				PRELIMINARY DESIGN REVIEW

DRAWN	CLP
CHECKED	
ENGINEER	
PROJ	

PARSONS
 100 WEST WALNUT STREET
 PASADENA, CALIFORNIA

LIGO
 CALIFORNIA INSTITUTE OF TECHNOLOGY
 MASSACHUSETTS INSTITUTE OF TECHNOLOGY

LASER INTERFEROMETER GRAVITATIONAL-WAVE OBSERVATORY SITE NO. 2 - LIVINGSTON, LOUISIANA			
TITLE	HVAC END STATION CHILLED WATER & AIR FLOW DIAGRAMS	SCALE NONE	CONTRACT NUMBER PP150969
			PROJECT NUMBER 8094
			REVISION LA-H-221

5 4 3 2