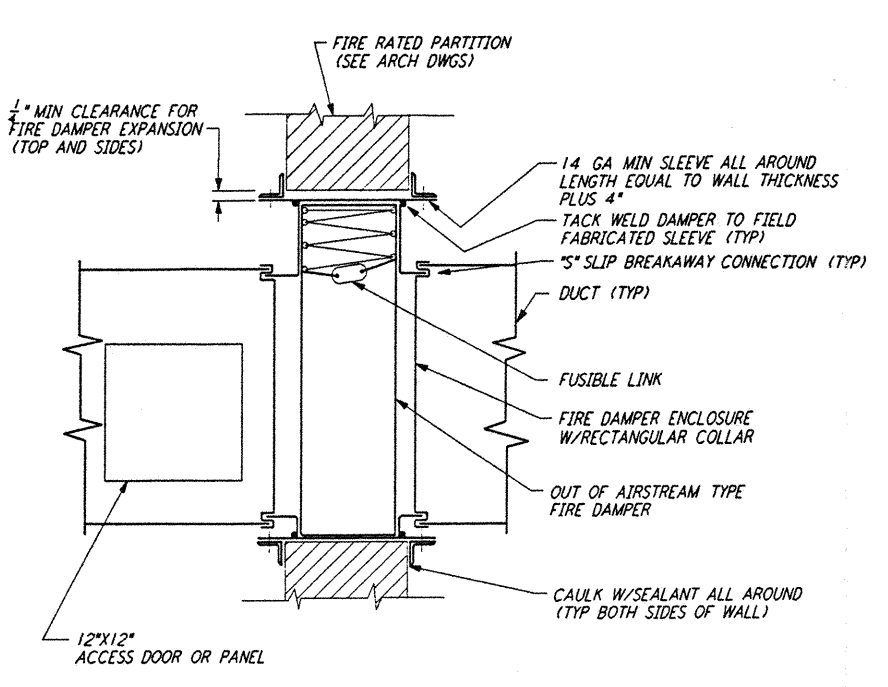
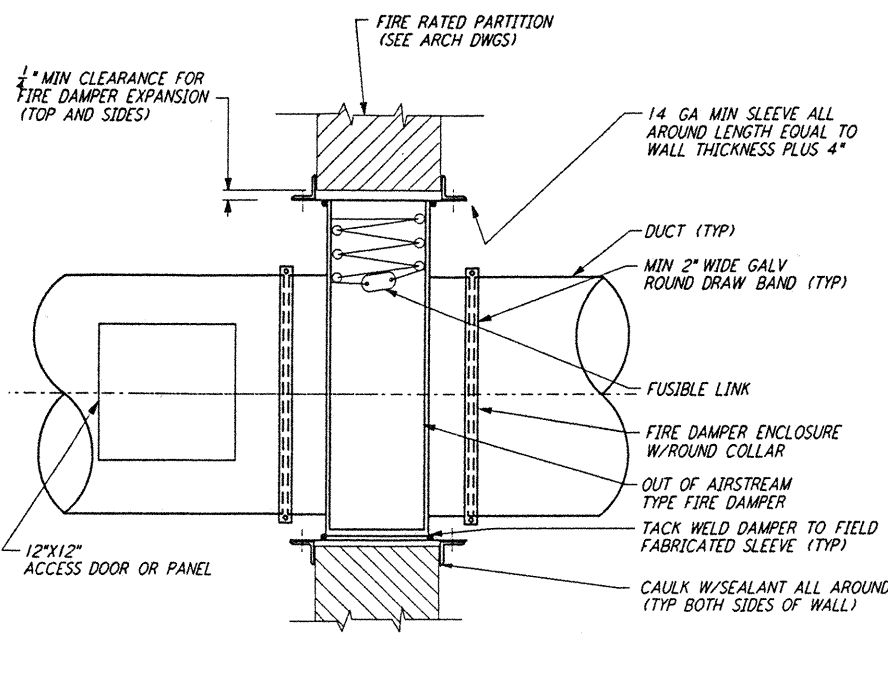


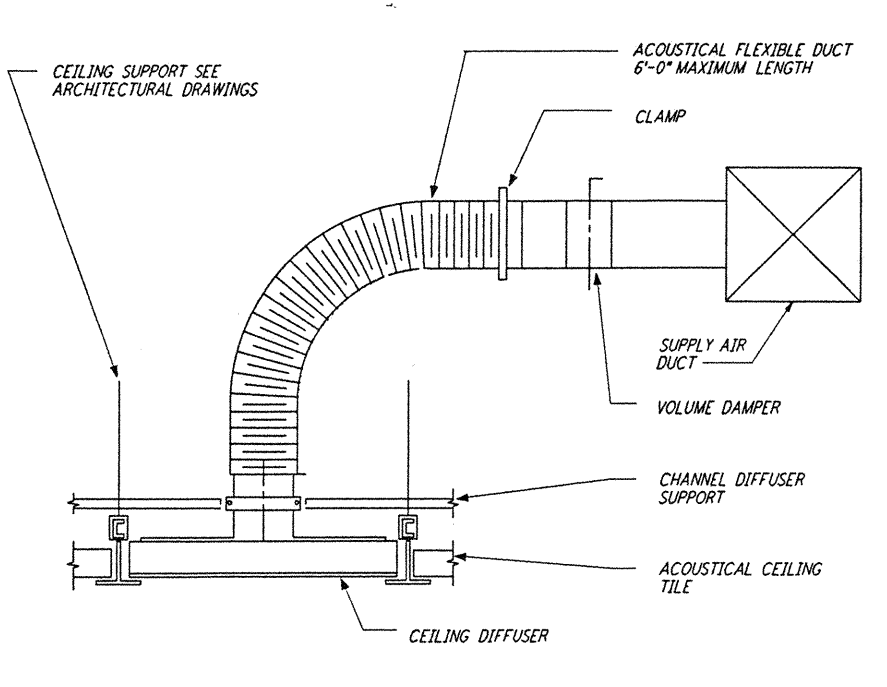
WALL MOUNTED FIRE DAMPER (1) REF
 NTS LA-H-411



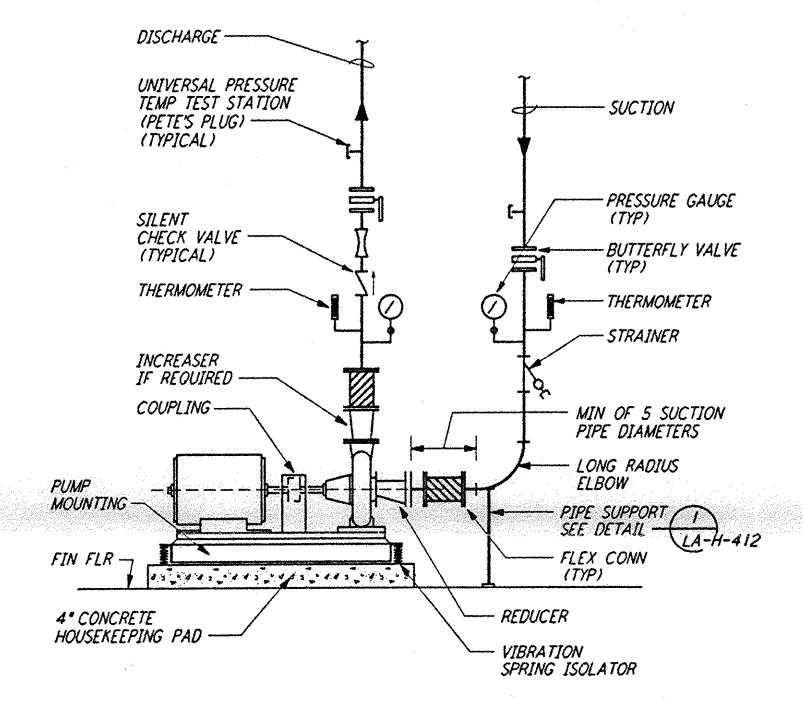
RECTANGULAR DUCT FIRE DAMPER (2) REF
 NTS LA-H-411



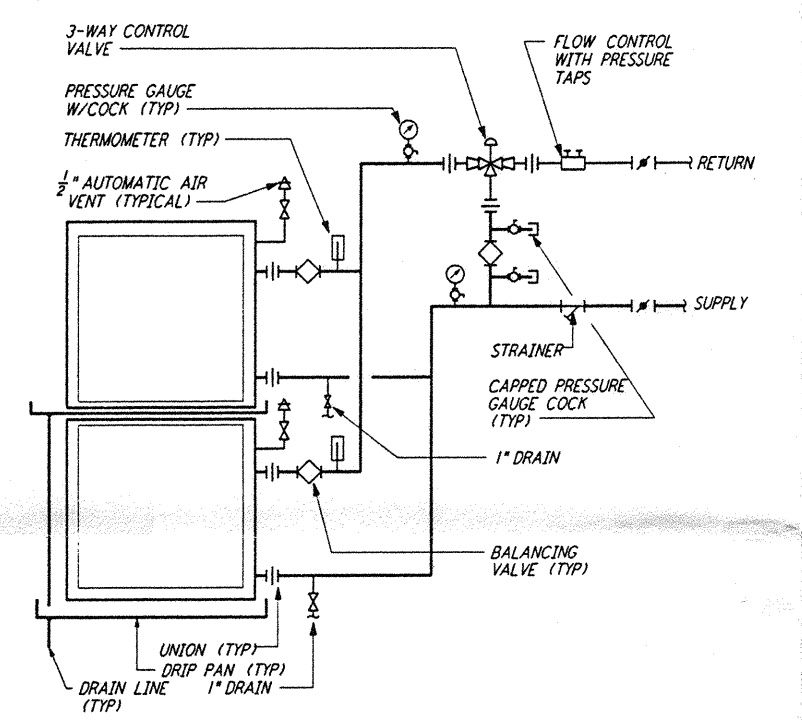
ROUND DUCT FIRE DAMPER MOUNTING DETAIL (3) REF
 NTS LA-H-411



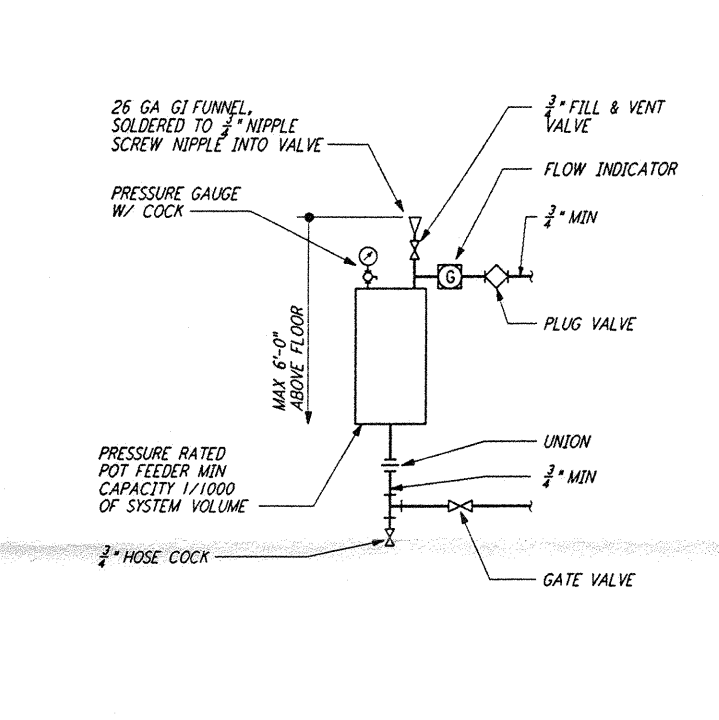
FLEXIBLE DUCT CONNECTION (4) REF
 NTS LA-H-411



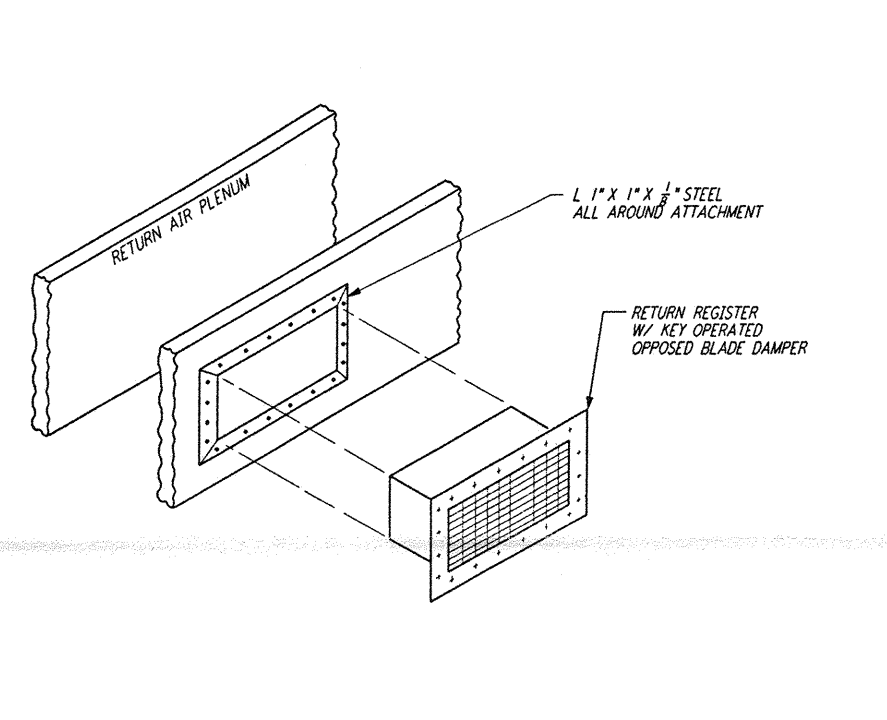
PUMP CONNECTION DETAIL (5) REF
 NTS LA-H-411



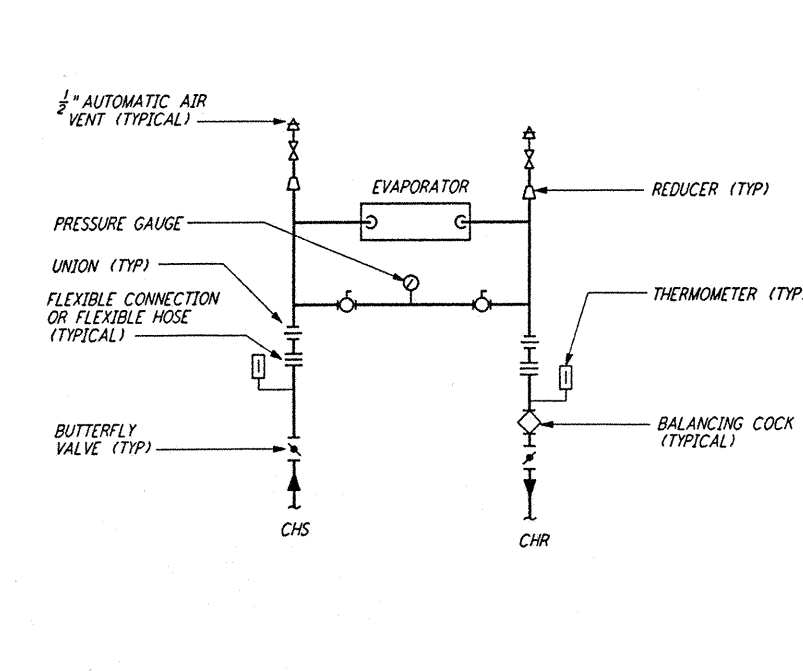
MULTIPLE COIL PIPING DETAIL (6) REF
 NTS LA-H-411



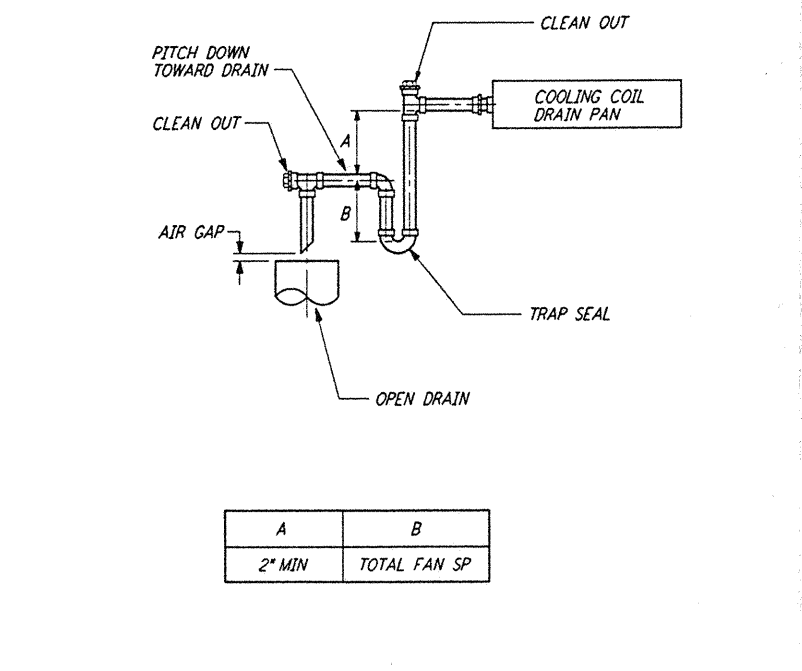
CHEMICAL FEEDER DETAIL (7) REF
 NTS LA-H-411



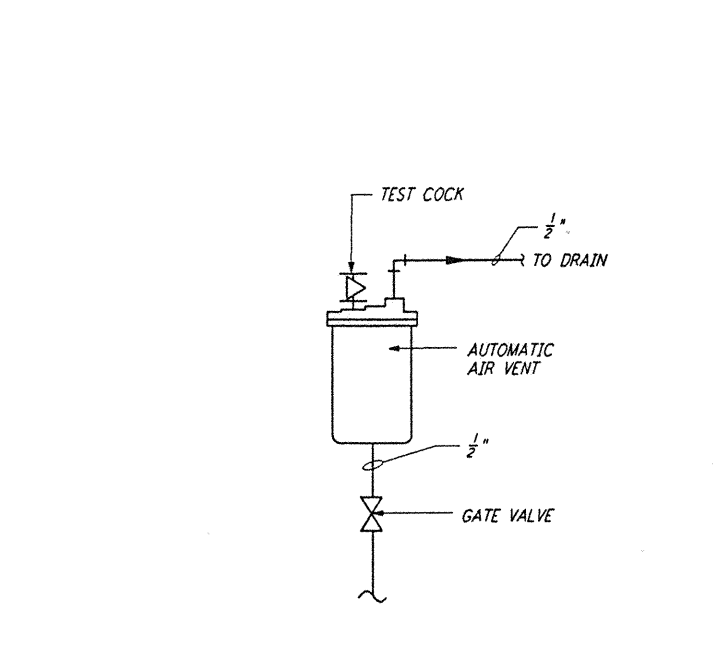
REGISTER MOUNTING DETAIL (8) REF
 NTS LA-H-411



WATER CHILLER CONNECTION (9) REF
 NTS LA-H-411



CONDENSATE DRAIN DETAIL (10) REF
 NTS LA-H-411



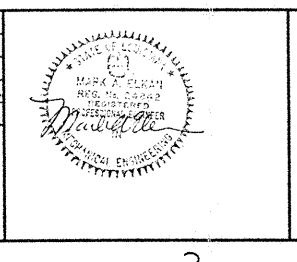
AUTOMATIC AIR VENT (11) REF
 NTS LA-H-411

NOTES:
 1. FOR LEGEND, ABBREVIATIONS AND GENERAL NOTES SEE SHEETS LA-H-001 AND LA-H-002.

This document and the design it covers are the property of PARSONS. They are loaned only with the borrower's expressed written agreement that they will not be reproduced, copied, loaned, exhibited, or used in any other way, except by written consent from PARSONS to the borrower.

NO.	DATE	BY	CHKD	ENGR	PROJ	DESCRIPTION

ISSUED FOR CONSTRUCTION	CLP	11-15-96
DRAWN	CLP	11-15-96
CHECKED	JMS	10-25-96
ENGINEER	AA	10-23-96
PROJ	SDA	11/15/96



PARSONS
 100 WEST WALNUT STREET
 PASADENA, CALIFORNIA

LIGO
 CALIFORNIA INSTITUTE OF TECHNOLOGY
 MASSACHUSETTS INSTITUTE OF TECHNOLOGY

LASER INTERFEROMETER
 GRAVITATIONAL-WAVE OBSERVATORY
 SITE NO. 2 - LIVINGSTON, LOUISIANA

HVAC
 DETAILS SHEET 1

SCALE: NONE
 CONTRACT NUMBER: PPI50969
 PROJECT NUMBER: 8094

SHEET NUMBER: **LA-H-411**