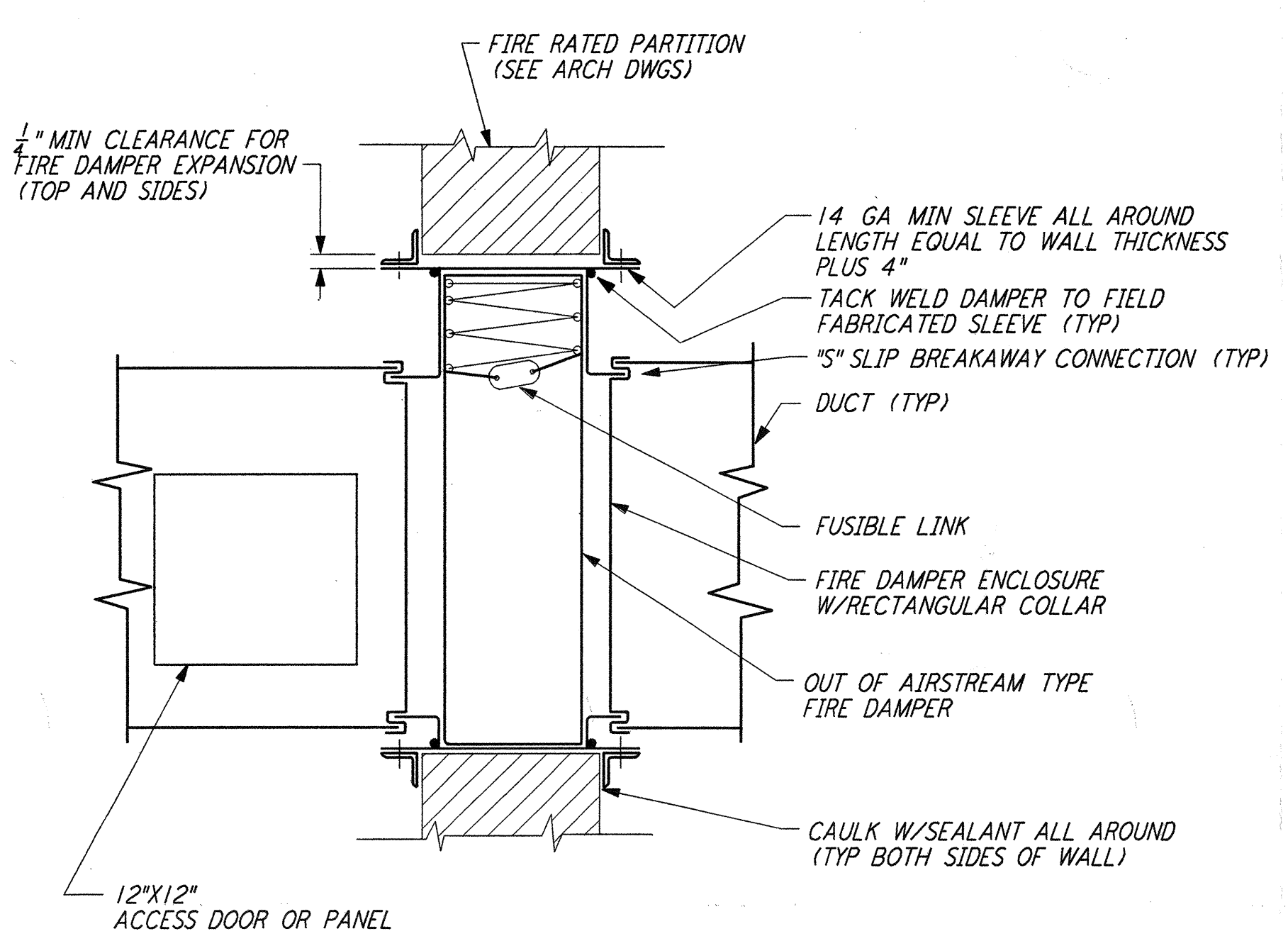
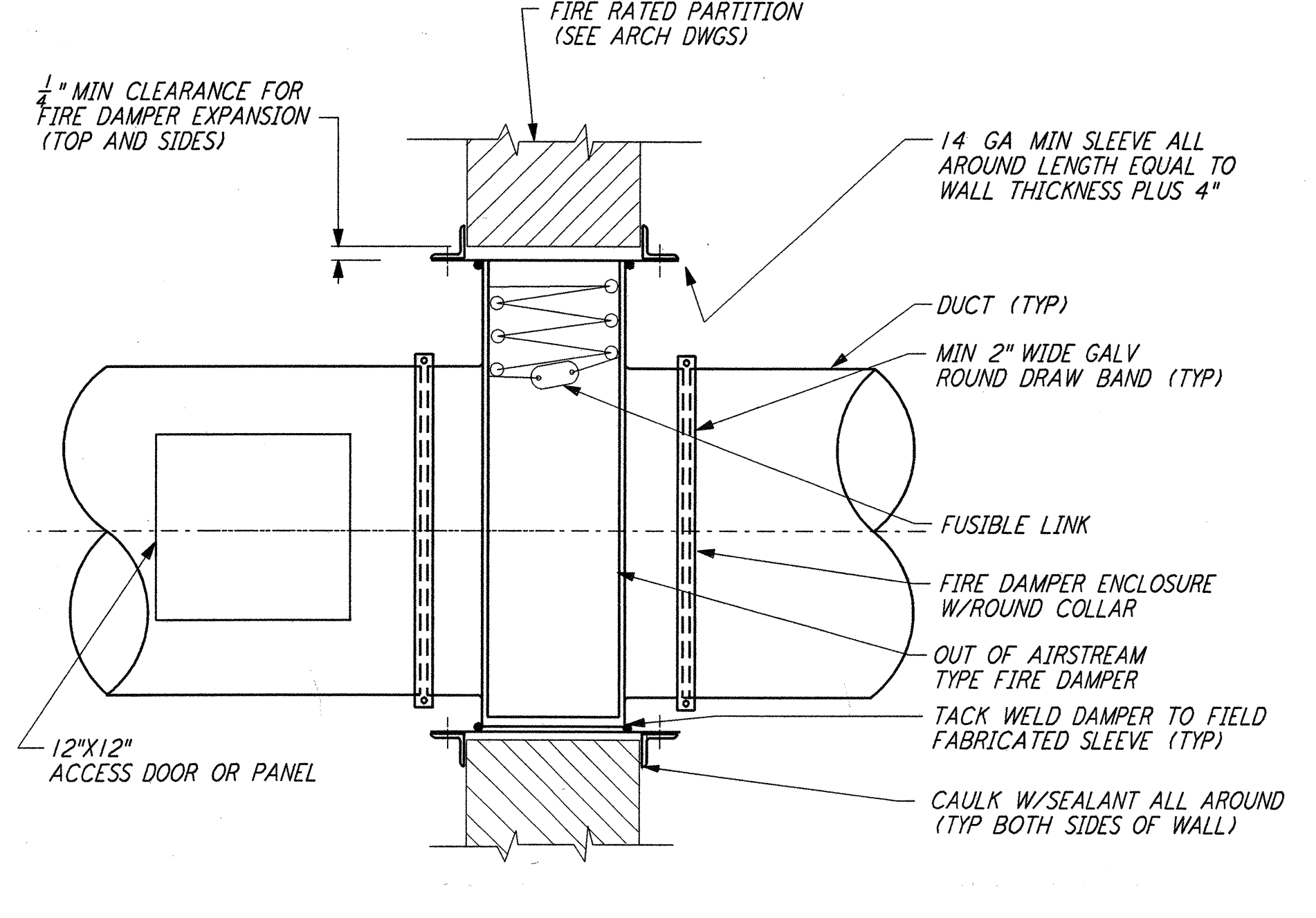


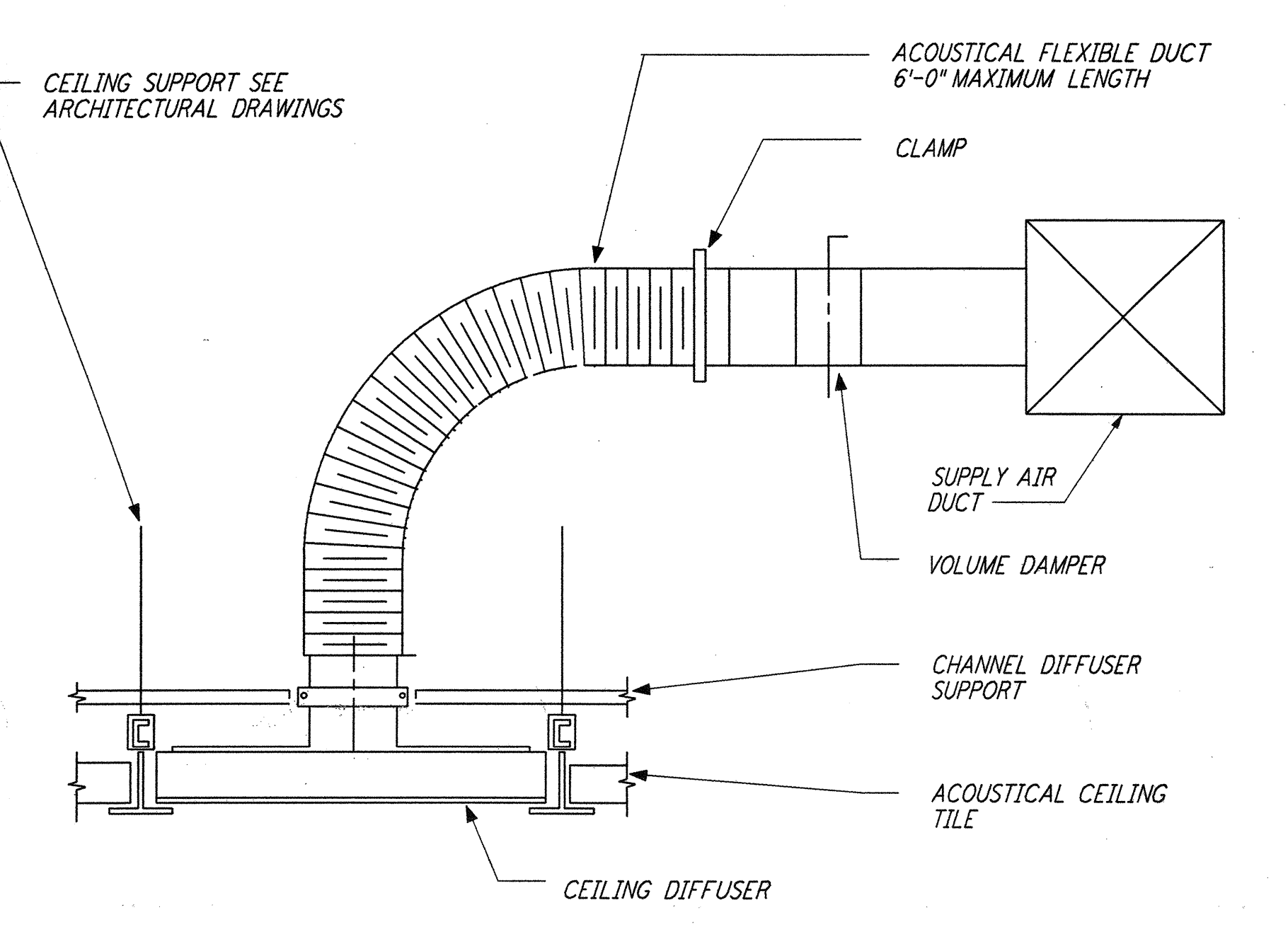
WALL MOUNTED FIRE DAMPER (1) REF
 NTS LA-H-411



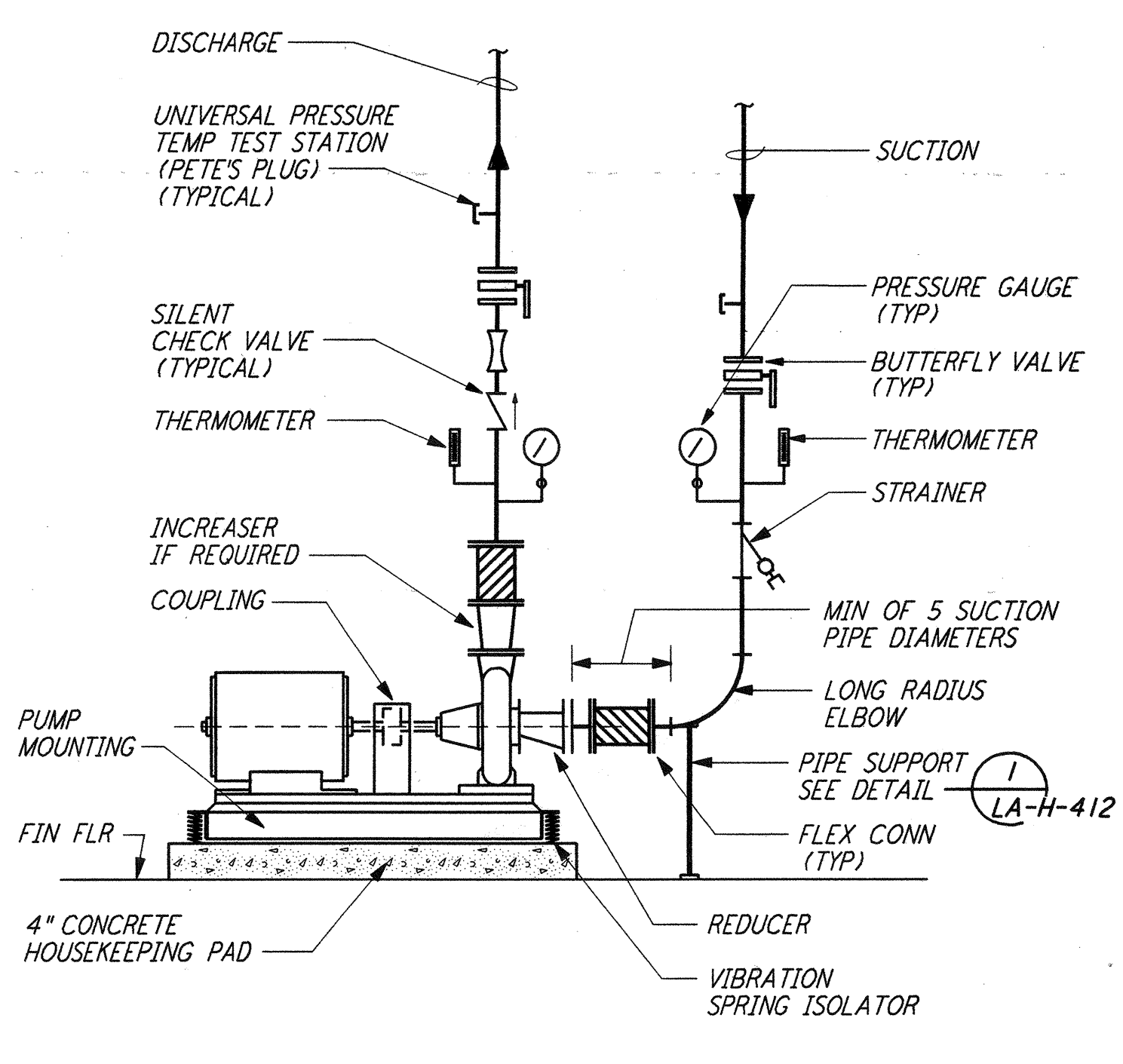
RECTANGULAR DUCT FIRE DAMPER (2) REF
 NTS LA-H-411



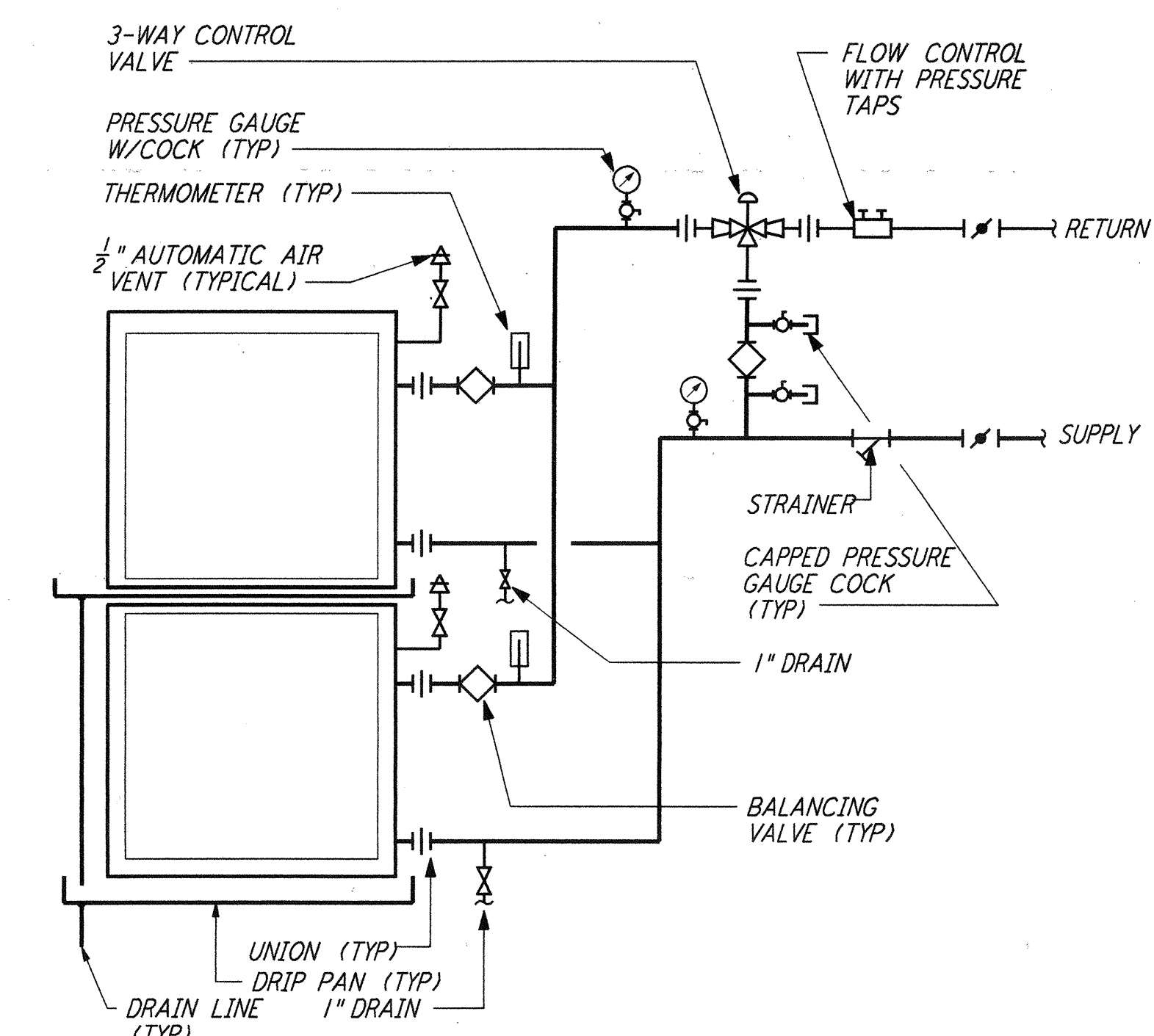
ROUND DUCT FIRE DAMPER MOUNTING DETAIL (3) REF
 NTS LA-H-411



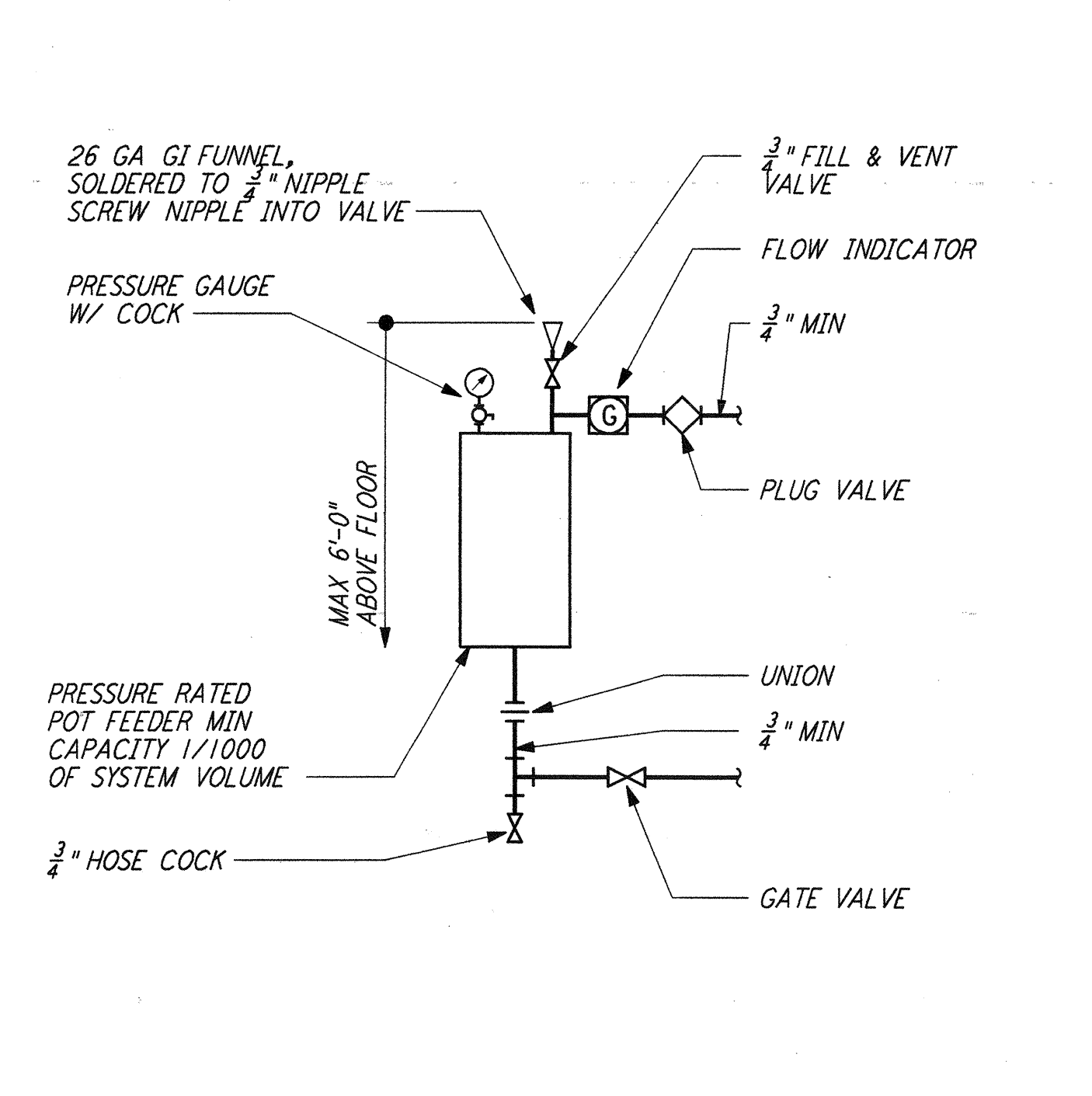
FLEXIBLE DUCT CONNECTION (4) REF
 NTS LA-H-411



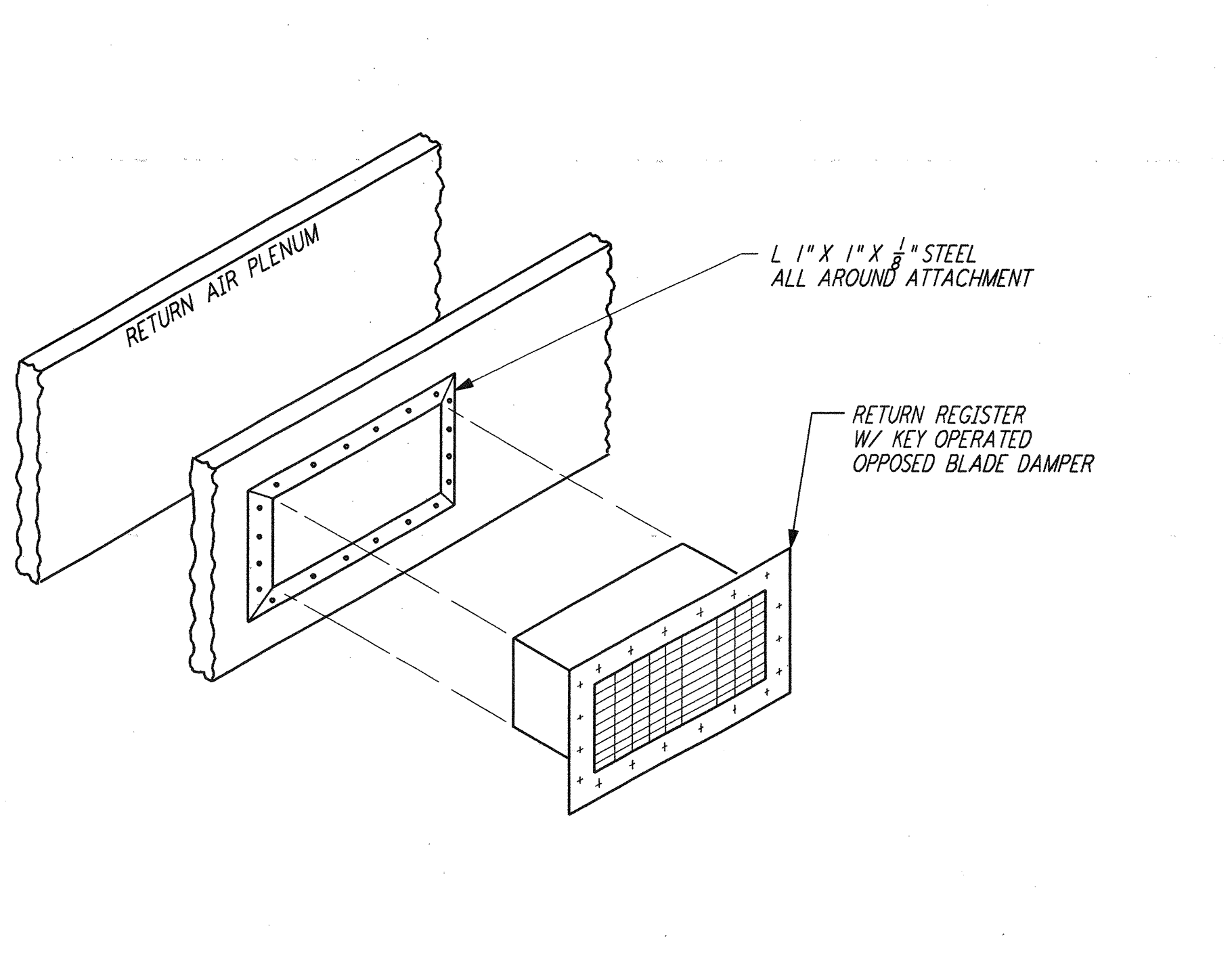
PUMP CONNECTION DETAIL (5) REF
 NTS LA-H-411



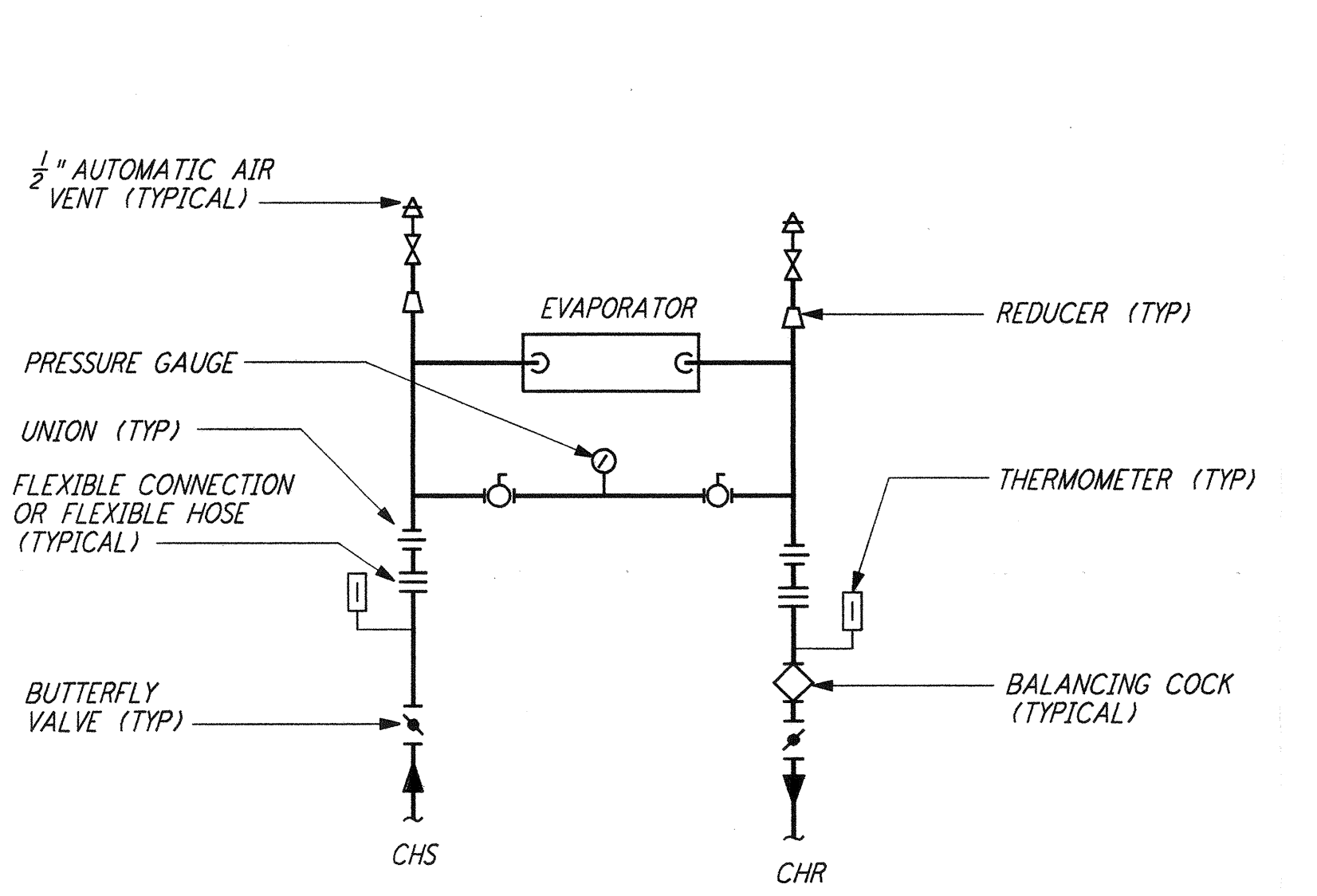
MULTIPLE COIL PIPING DETAIL (6) REF
 NTS LA-H-411



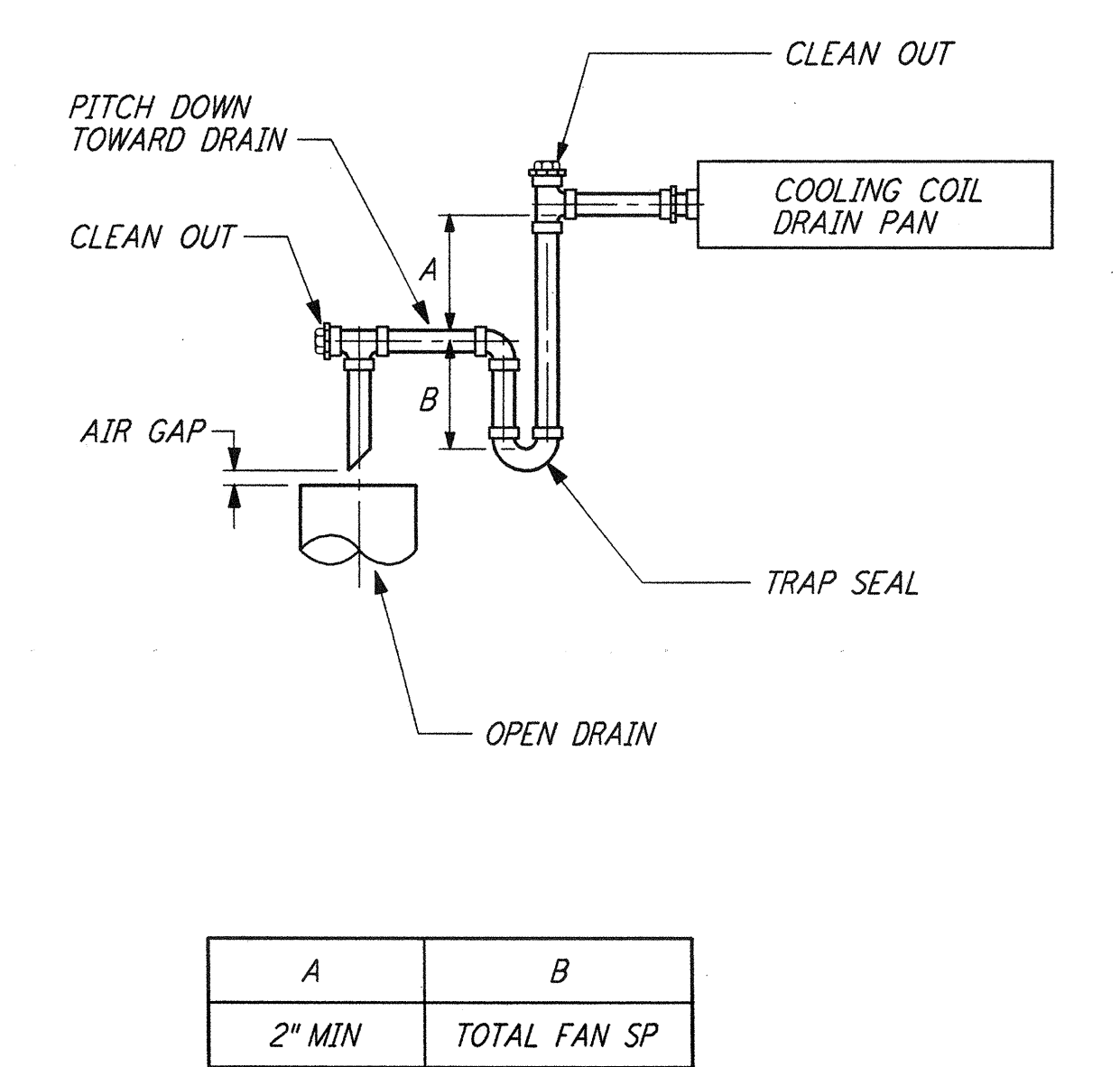
CHEMICAL FEEDER DETAIL (7) REF
 NTS LA-H-411



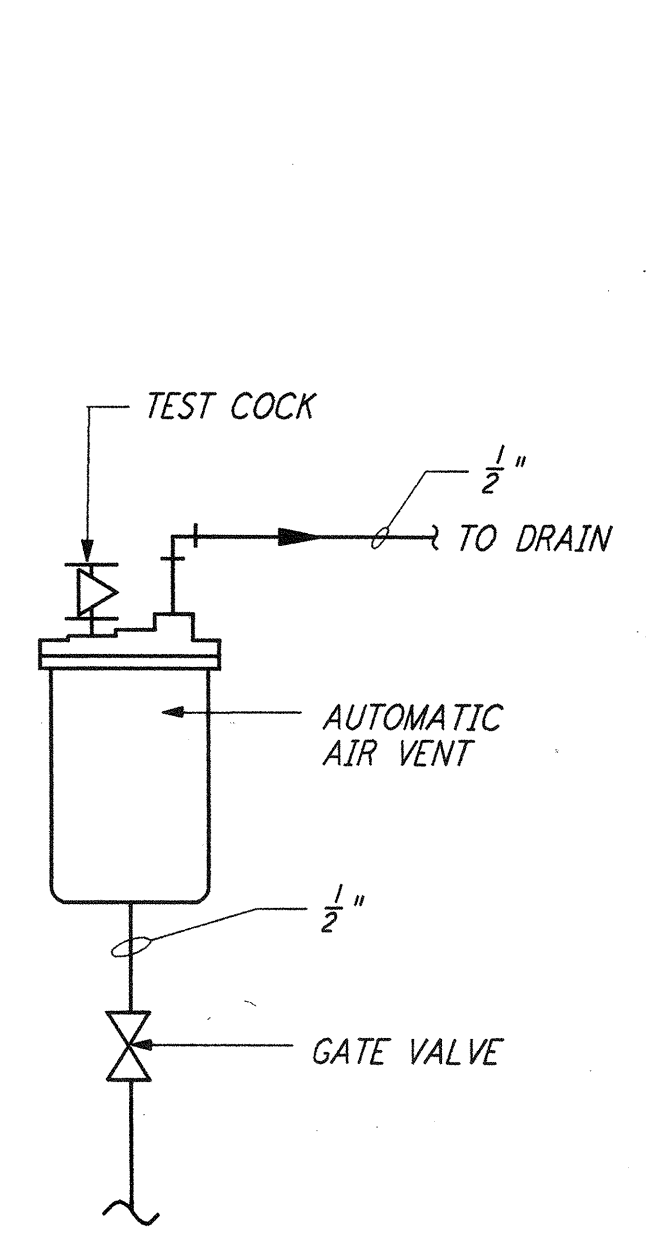
REGISTER MOUNTING DETAIL (8) REF
 NTS LA-H-411



WATER CHILLER CONNECTION (9) REF
 NTS LA-H-411



CONDENSATE DRAIN DETAIL (10) REF
 NTS LA-H-411



AUTOMATIC AIR VENT (11) REF
 NTS LA-H-411

NOTES:
 1. FOR LEGEND, ABBREVIATIONS AND GENERAL NOTES SEE SHEETS LA-H-001 AND LA-H-002.

NO.	DATE	BY	CHKD	ENGR	PROJ	DESCRIPTION
1	8-7-98	DJB	AA	AA	WAL	ISSUED FOR AS-BUILT

ISSUED FOR CONSTRUCTION
 DRAWN CLP 11-15-96
 CHECKED MN 10-25-96
 ENGINEER AA 1-23-96
 PROJ TDM 11-15-96
AS-BUILT DRAWINGS

PARSONS
 100 WEST WALNUT STREET
 PASADENA, CALIFORNIA

LIGO
 CALIFORNIA INSTITUTE OF TECHNOLOGY
 MASSACHUSETTS INSTITUTE OF TECHNOLOGY

LIGO-D960992-01-0
 LASER INTERFEROMETER
 GRAVITATIONAL-WAVE OBSERVATORY
 SITE NO. 2 - LIVINGSTON, LOUISIANA
 HVAC DETAILS SHEET 1
 SCALE: NONE
 CONTRACT NUMBER: PPI 50969
 PROJECT NUMBER: 8094
 SHEET NUMBER: **LA-H-411**

of PARSONS. They are loaned only with the consent of PARSONS. They are loaned only with the borrower's expressed written agreement that they will not be used for any other way, except by written consent to the borrower.