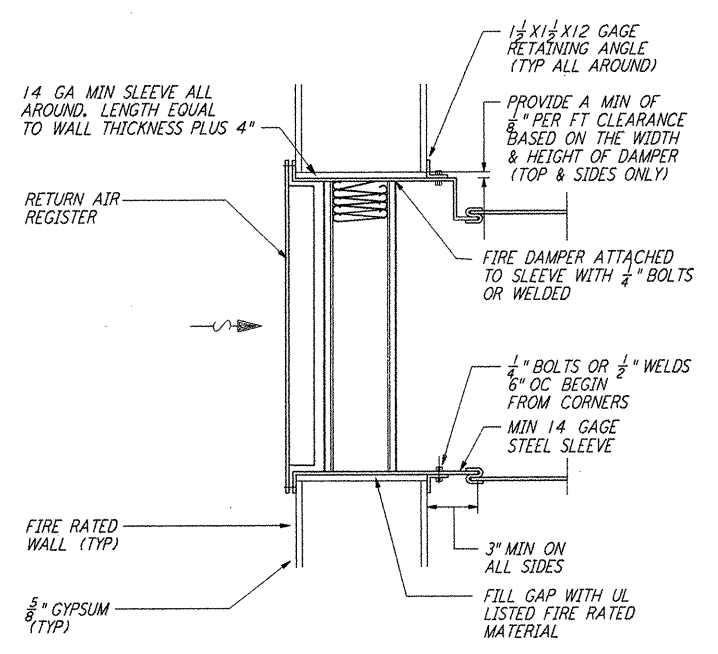
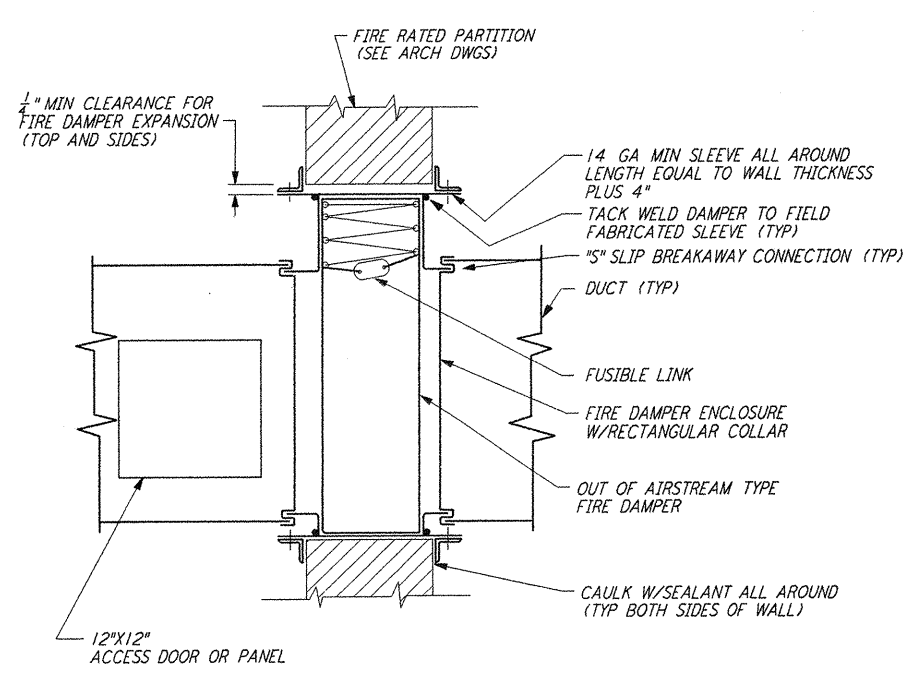


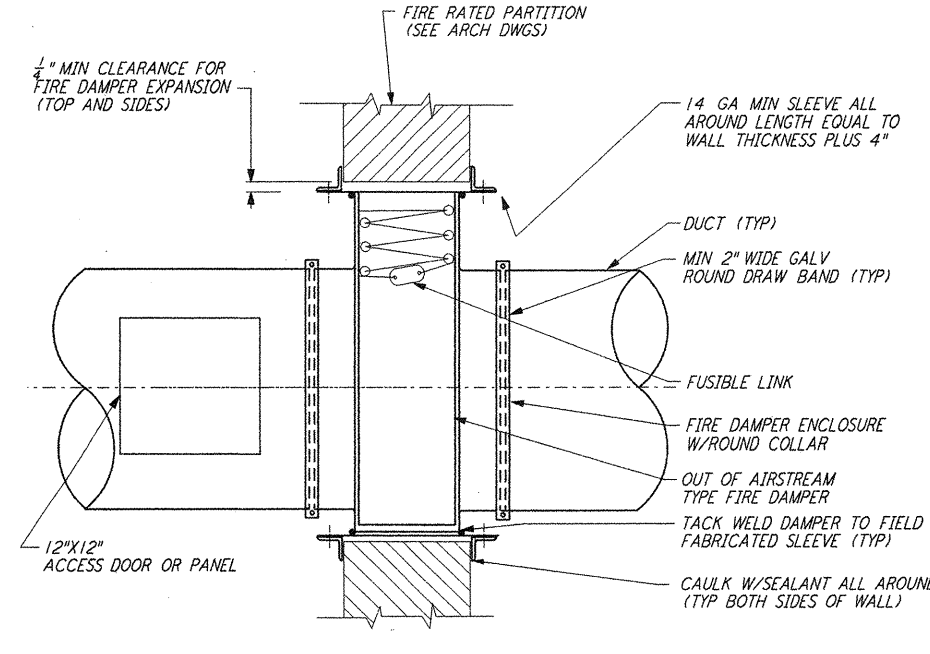
This document and the design it covers are the property of PARSONS. They are loaned only with the borrower's expressed written agreement that they will not be reproduced, copied, loaned, exhibited, or used in any other way, except by written consent from PARSONS to the borrower.



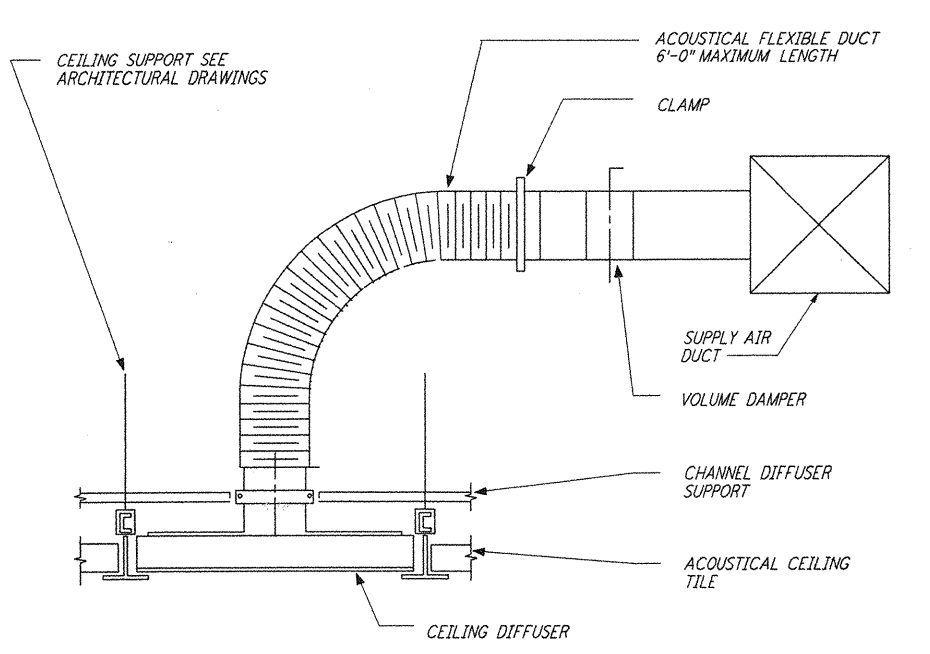
WALL MOUNTED FIRE DAMPER (1) REF
 NTS LA-H-411



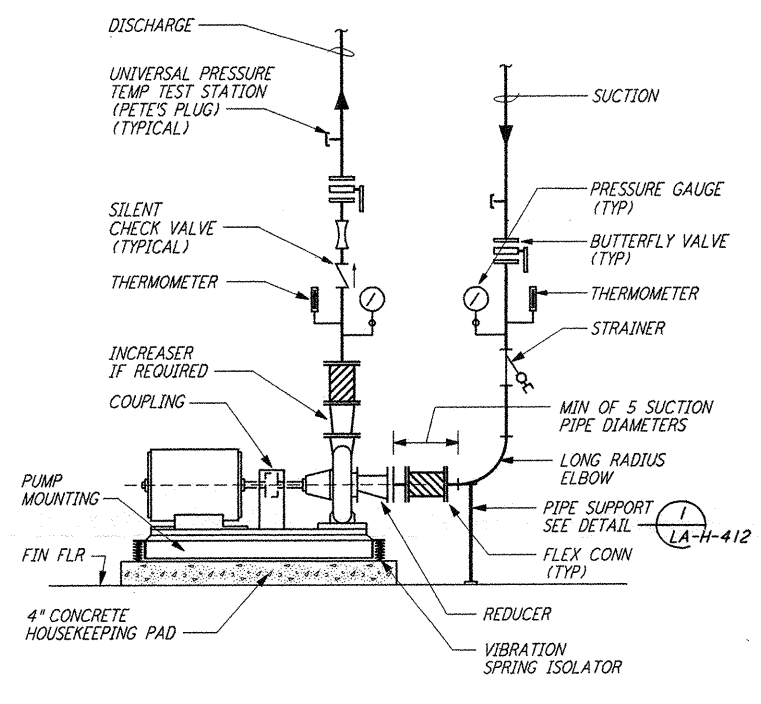
RECTANGULAR DUCT FIRE DAMPER (2) REF
 NTS LA-H-411



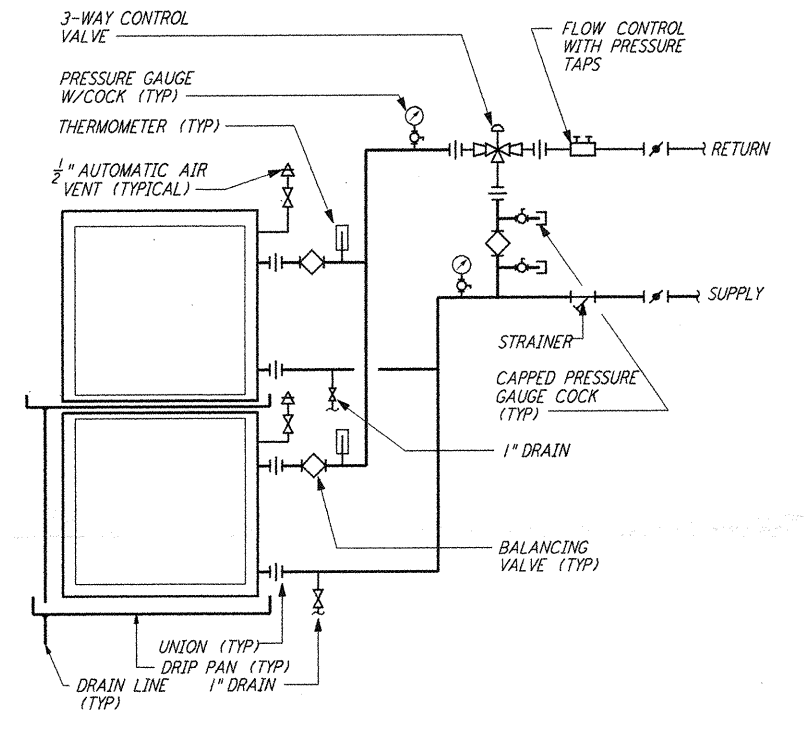
ROUND DUCT FIRE DAMPER MOUNTING DETAIL (3) REF
 NTS LA-H-411



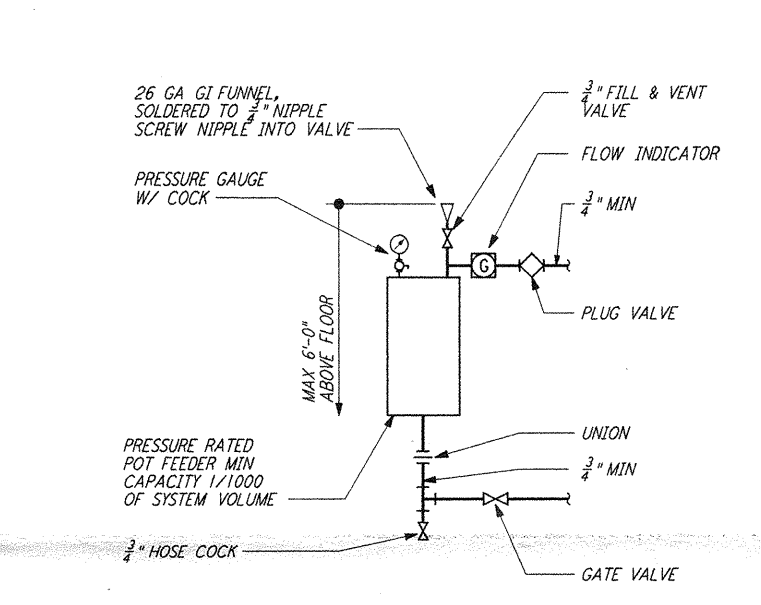
FLEXIBLE DUCT CONNECTION (4) REF
 NTS LA-H-411



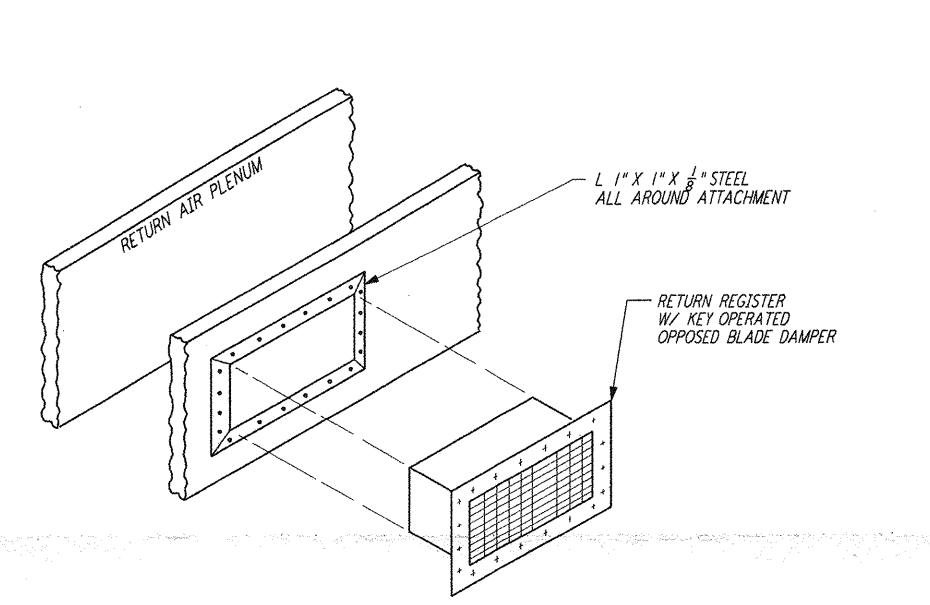
PUMP CONNECTION DETAIL (5) REF
 NTS LA-H-411



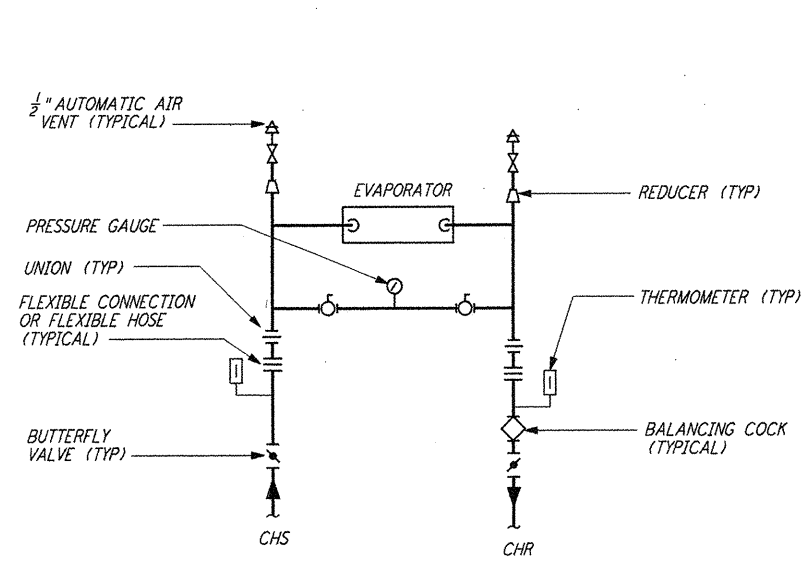
MULTIPLE COIL PIPING DETAIL (6) REF
 NTS LA-H-411



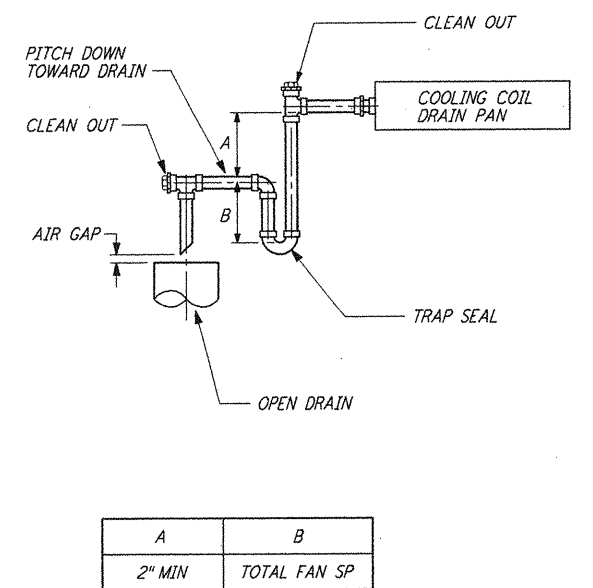
CHEMICAL FEEDER DETAIL (7) REF
 NTS LA-H-411



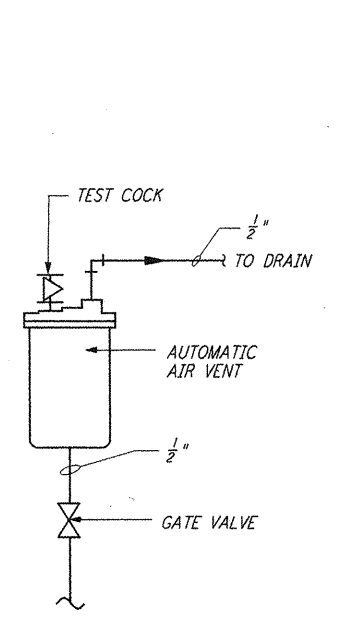
REGISTER MOUNTING DETAIL (8) REF
 NTS LA-H-411



WATER CHILLER CONNECTION (9) REF
 NTS LA-H-411



CONDENSATE DRAIN DETAIL (10) REF
 NTS LA-H-411



AUTOMATIC AIR VENT (11) REF
 NTS LA-H-411

NOTES:
 1. FOR LEGEND, ABBREVIATIONS AND GENERAL NOTES SEE SHEETS LA-H-001 AND LA-H-002.

| | | | | | | | |
|--|--|--|--|---|--|---|--|
| REFERENCES DRAWING NO. DESCRIPTION | | REVISIONS NO. DATE BY CHKD ENGR PROJ DESCRIPTION | | 1 8-7-98 DJB AA AA WALL ISSUED FOR AS-BUILT | | 4 | |
| 5 | | 3 | | 2 | | 1 | |

| | | | | | | | | | |
|--|--|--------------------------|--|--|--|--|--|--|--|
| ISSUED FOR CONSTRUCTION DRAWN CLP 11-15-96 CHECKED MN 10-25-96 ENGINEER AA 1-23-96 PROJ TDM 11-15-96 | | AS-BUILT DRAWINGS | | PARSONS 100 WEST WALNUT STREET PASADENA, CALIFORNIA | | LIGO CALIFORNIA INSTITUTE OF TECHNOLOGY MASSACHUSETTS INSTITUTE OF TECHNOLOGY | | LIGO-D960992-01-O LASER INTERFEROMETER GRAVITATIONAL-WAVE OBSERVATORY SITE NO. 2 - LIVINGSTON, LOUISIANA | |
| TITLE HVAC DETAILS SHEET 1 | | NONE PP150969 8094 | | LA-H-411 | | REVISIONS | | LIGOLAF.BDR | |