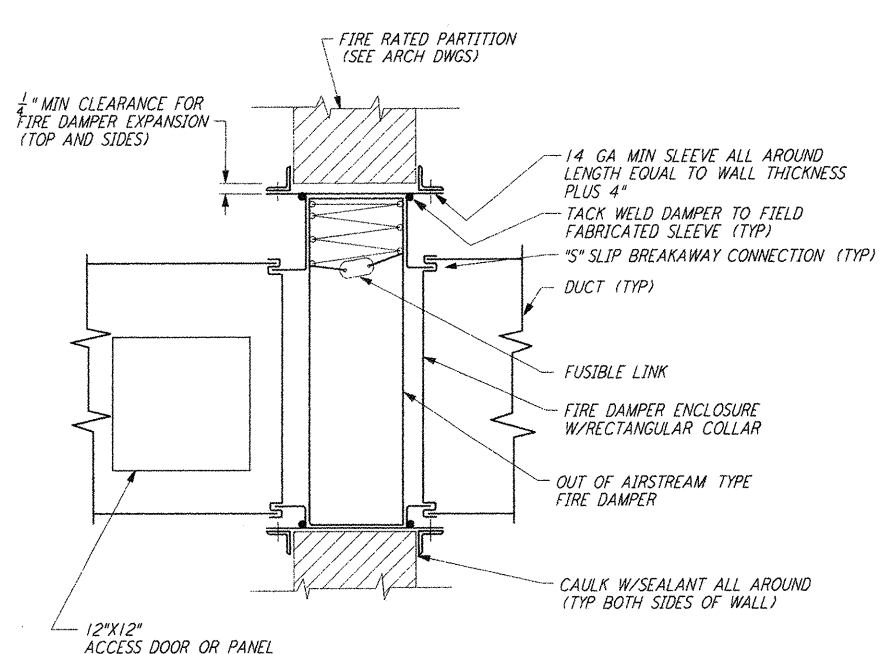
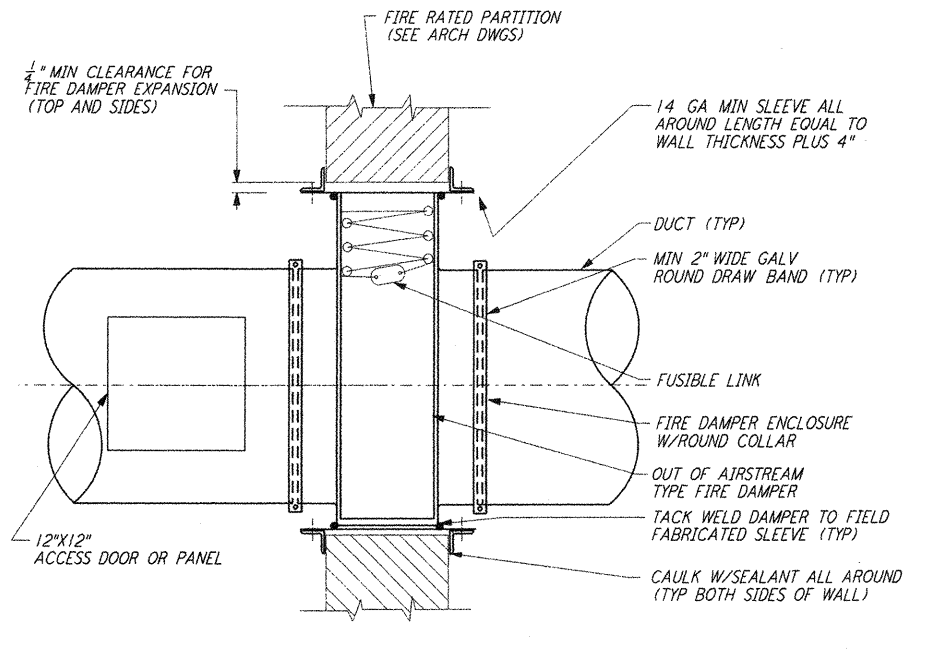


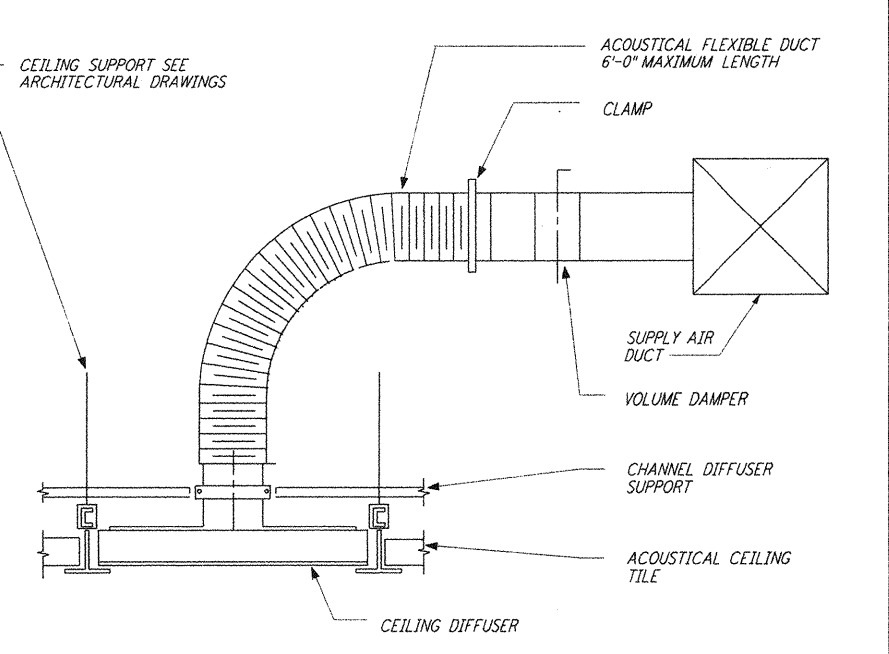
**WALL MOUNTED FIRE DAMPER** (1) REF  
 NTS LA-H-411



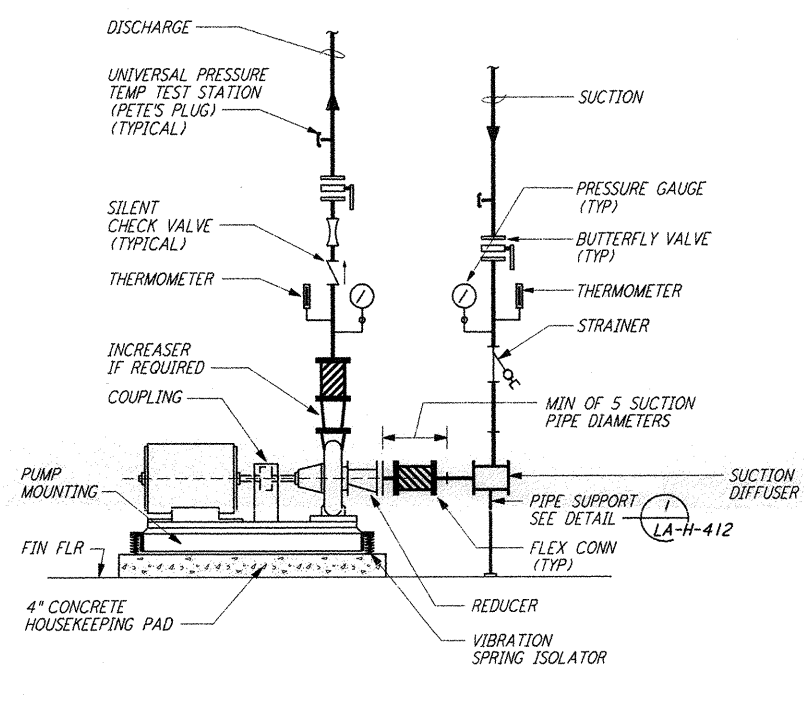
**RECTANGULAR DUCT FIRE DAMPER** (2) REF  
 NTS LA-H-411



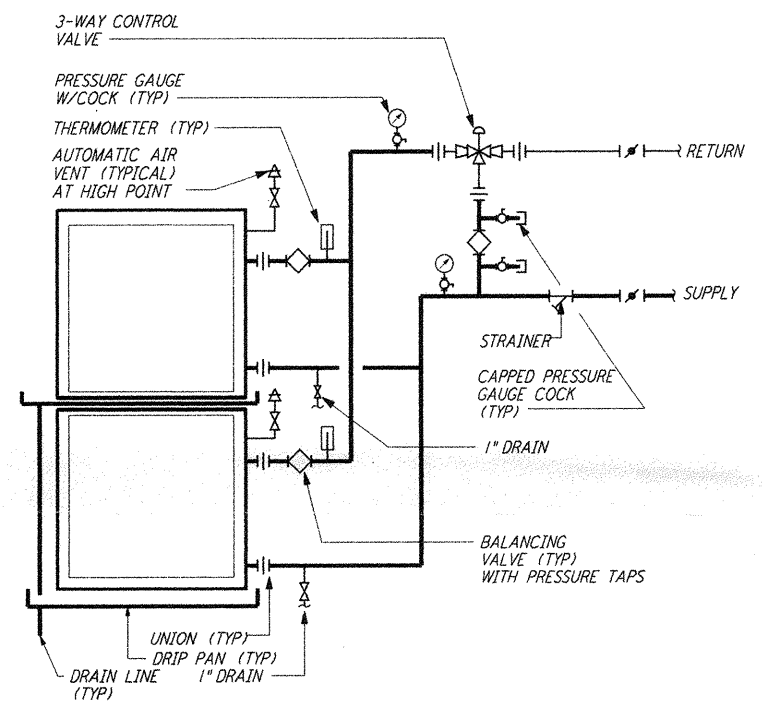
**ROUND DUCT FIRE DAMPER MOUNTING DETAIL** (3) REF  
 NTS LA-H-411



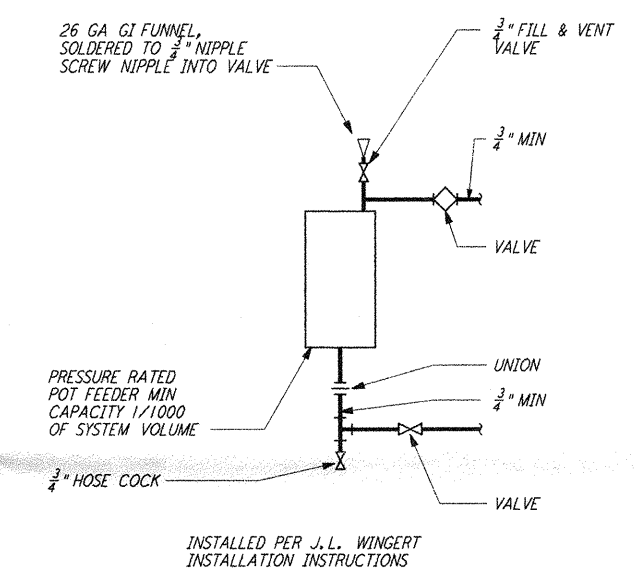
**FLEXIBLE DUCT CONNECTION** (4) REF  
 NTS LA-H-411



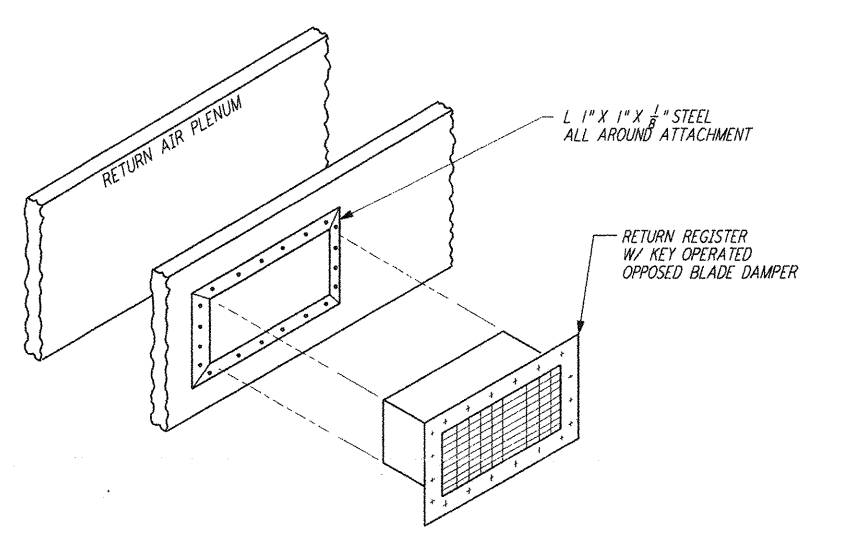
**PUMP CONNECTION DETAIL** (5) REF  
 NTS LA-H-411



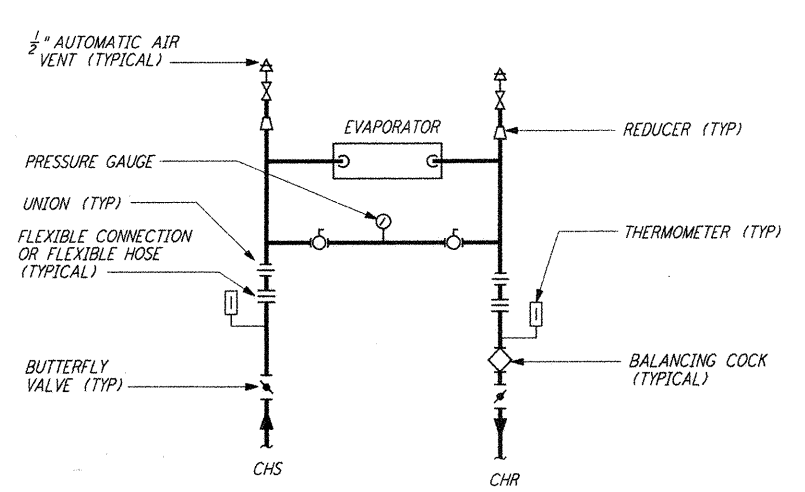
**MULTIPLE COIL PIPING DETAIL** (6) REF  
 NTS LA-H-411



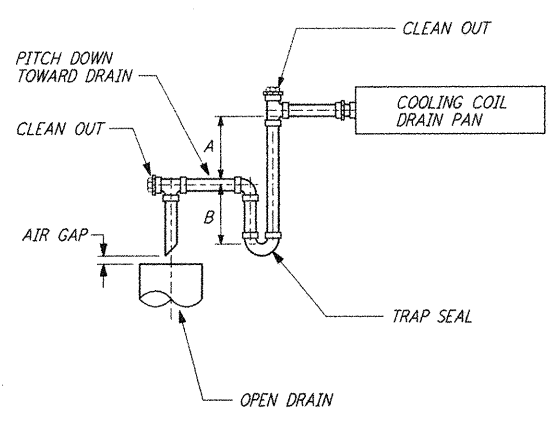
**CHEMICAL FEEDER DETAIL** (7) REF  
 NTS LA-H-411



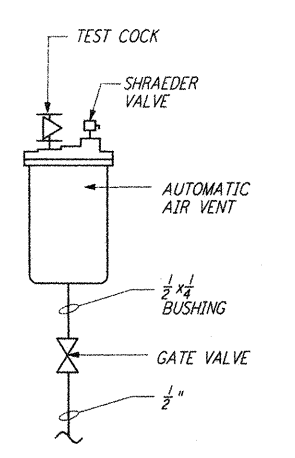
**REGISTER MOUNTING DETAIL** (8) REF  
 NTS LA-H-411



**WATER CHILLER CONNECTION** (9) REF  
 NTS LA-H-411



**CONDENSATE DRAIN DETAIL** (10) REF  
 NTS LA-H-411



**AUTOMATIC AIR VENT** (11) REF  
 NTS LA-H-411

**NOTES:**  
 1. FOR LEGEND, ABBREVIATIONS AND GENERAL NOTES SEE SHEETS LA-H-001 AND LA-H-002.

This document and the design it covers are the property of PARSONS. They are loaned only with the borrower's expressed written agreement that they will not be reproduced, copied, loaned, exhibited, or used in any other way, except by written consent from PARSONS to the borrower.

NO.	DATE	BY	CHKD	ENGR	PROJ	DESCRIPTION
1	8-7-98	DJB	AA	AA	Wad	ISSUED AS REVISED AS-BUILT
2	5-21-99	AO	AA	AA	Wad	ISSUED FOR CONSTRUCTION

ISSUED FOR CONSTRUCTION	CLP	11-15-96
CHECKED	MN	10-25-96
ENGINEER	AA	1-23-96
PROJ	TDM	11-15-96

<b>AS-BUILT DRAWINGS</b>
--------------------------

**PARSONS**  
 100 WEST WALNUT STREET  
 PASADENA, CALIFORNIA

**LIGO**  
 CALIFORNIA INSTITUTE OF TECHNOLOGY  
 MASSACHUSETTS INSTITUTE OF TECHNOLOGY

**LIGO-D960992-02-0**  
 LASER INTERFEROMETER  
 GRAVITATIONAL-WAVE OBSERVATORY  
 SITE NO. 2 - LIVINGSTON, LOUISIANA

TITLE	SCALE	CONTRACT NUMBER	PROJECT NUMBER
HVAC DETAILS SHEET 1	NONE	PP150969	8094
DRAWING NO.	REVISIONS	LA-H-411	

5/23/99 2:45:04 PM C:\PLOT\NODE133-136B2.dwg 52885 K1196B2.mplibp.r