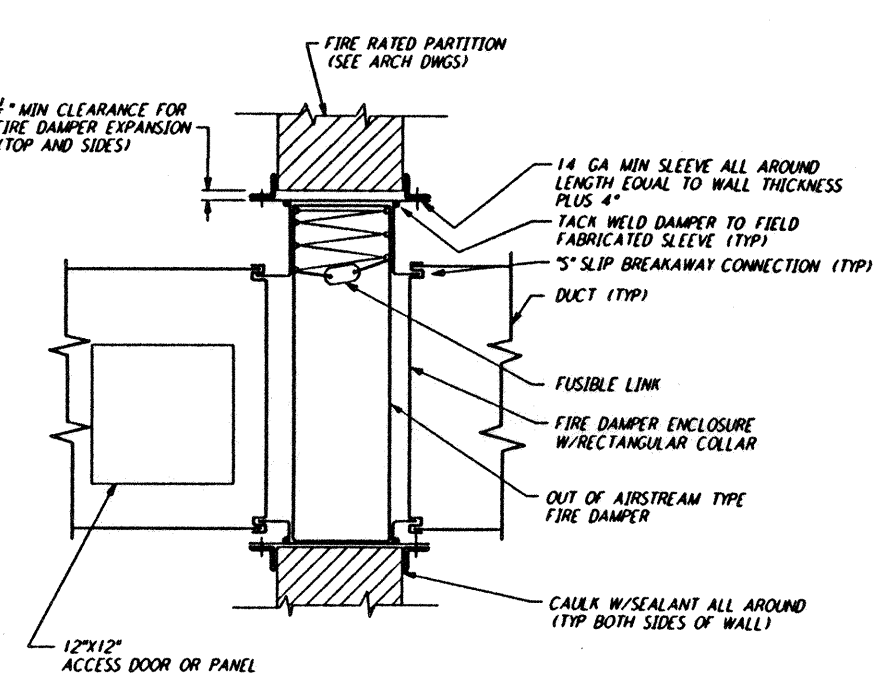
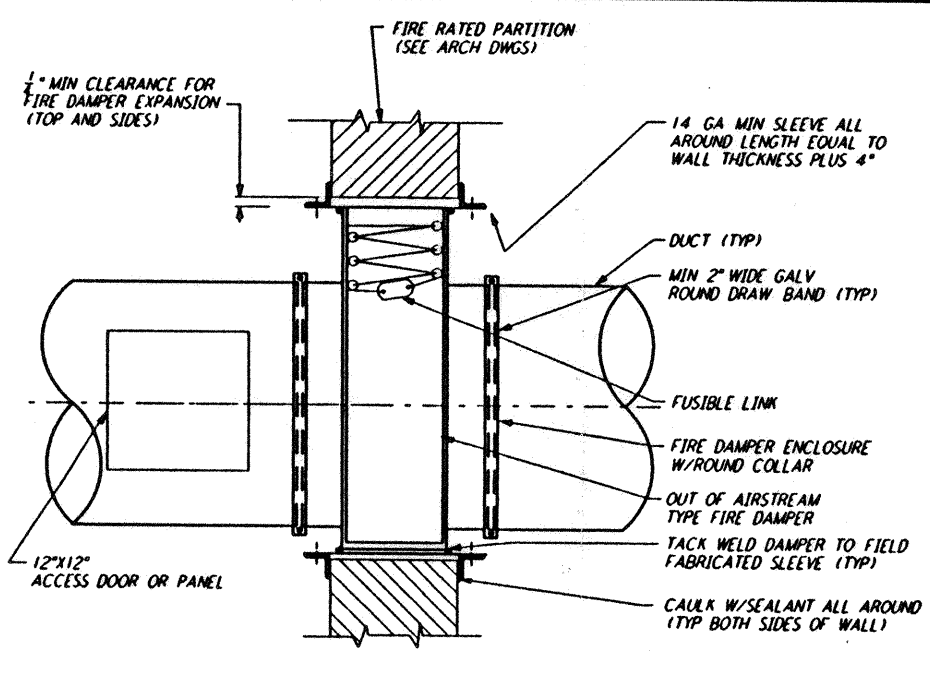


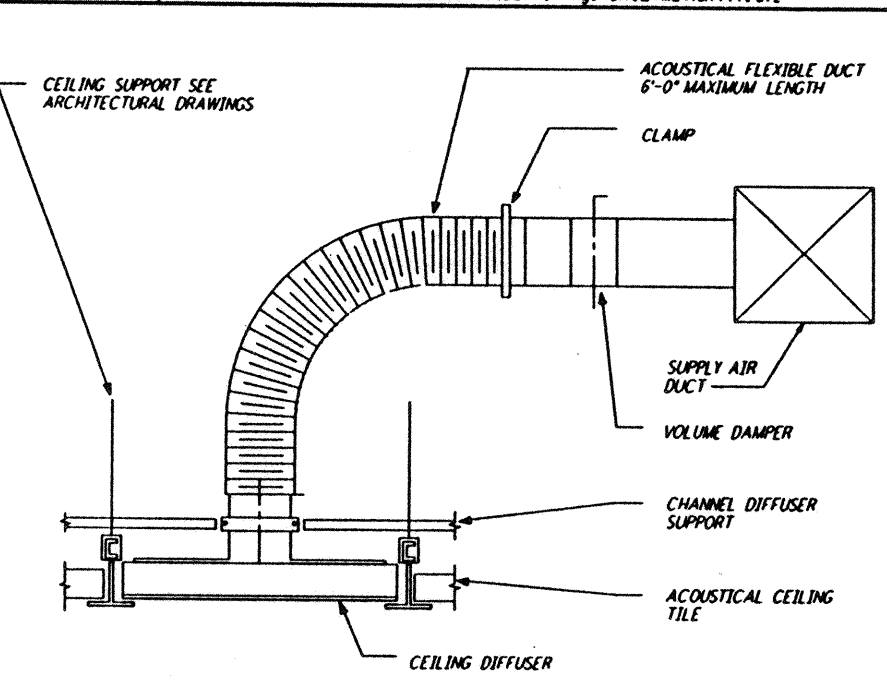
WALL MOUNTED FIRE DAMPER (1) REF
LA-H-411



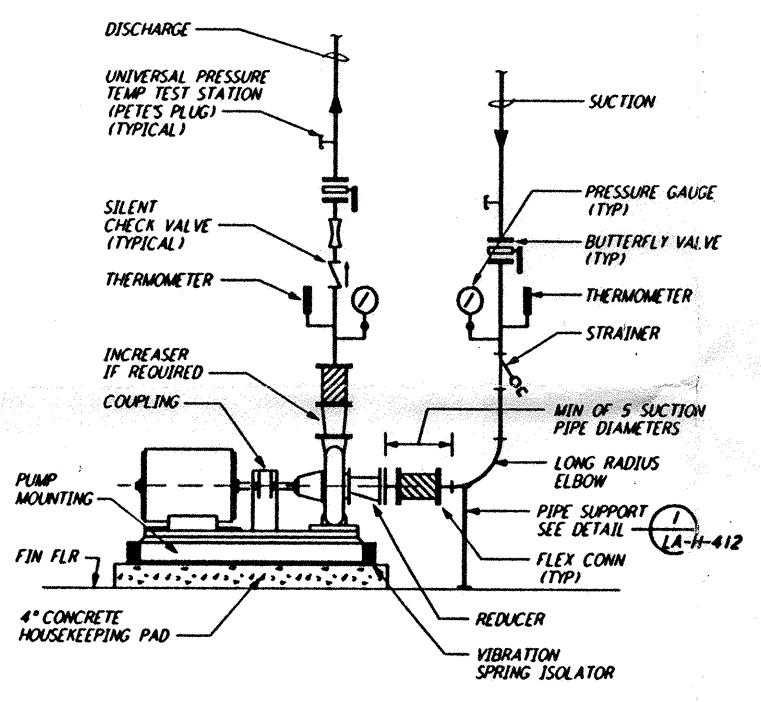
RECTANGULAR DUCT FIRE DAMPER (2) REF
LA-H-411



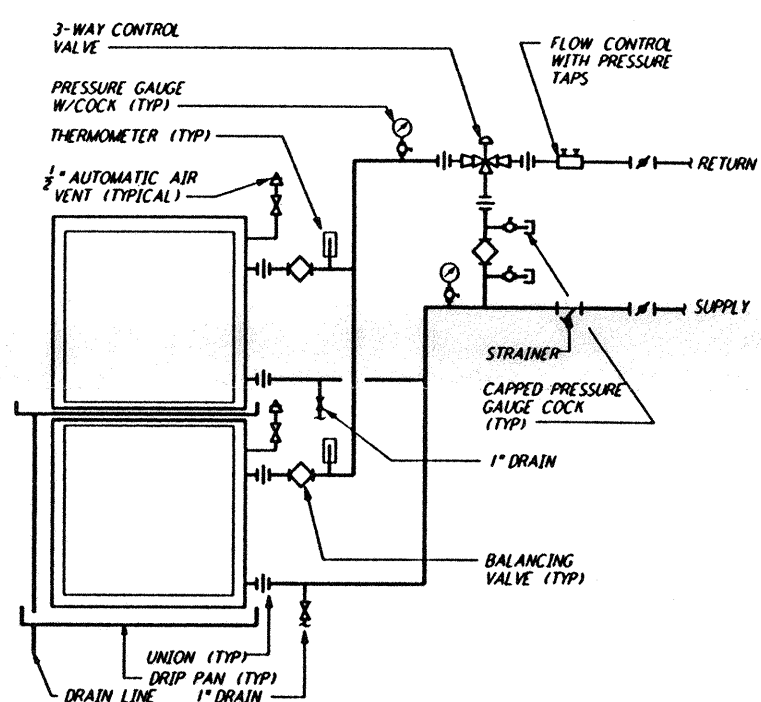
ROUND DUCT FIRE DAMPER MOUNTING DETAIL (3) REF
LA-H-411



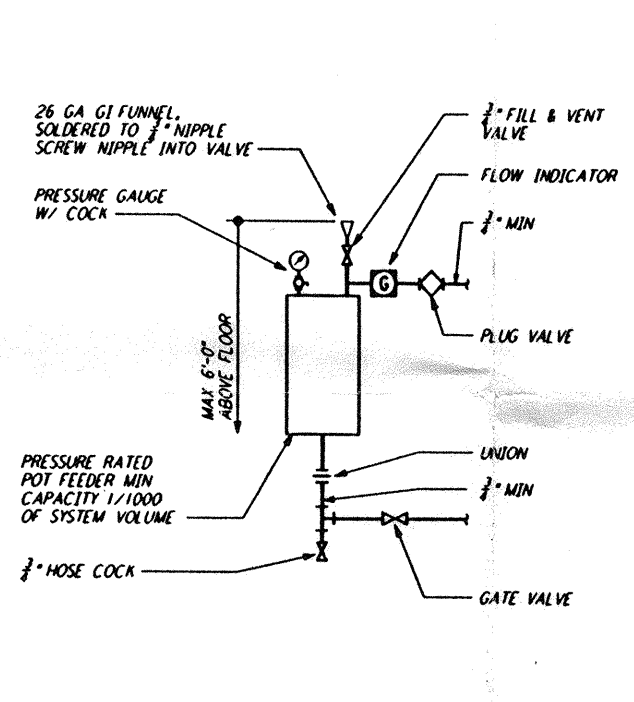
FLEXIBLE DUCT CONNECTION (4) REF
LA-H-411



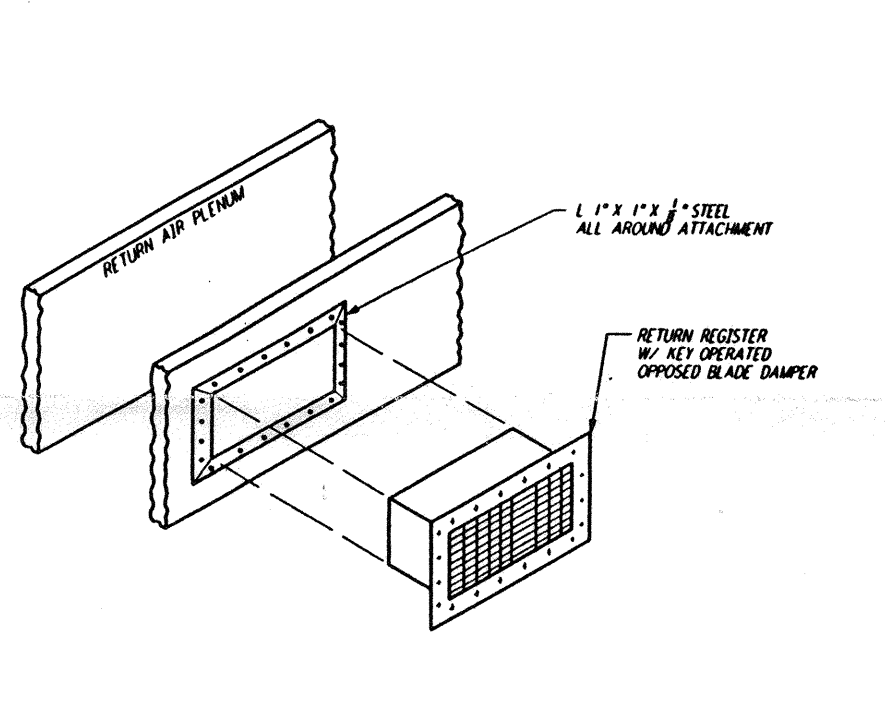
PUMP CONNECTION DETAIL (5) REF
LA-H-411



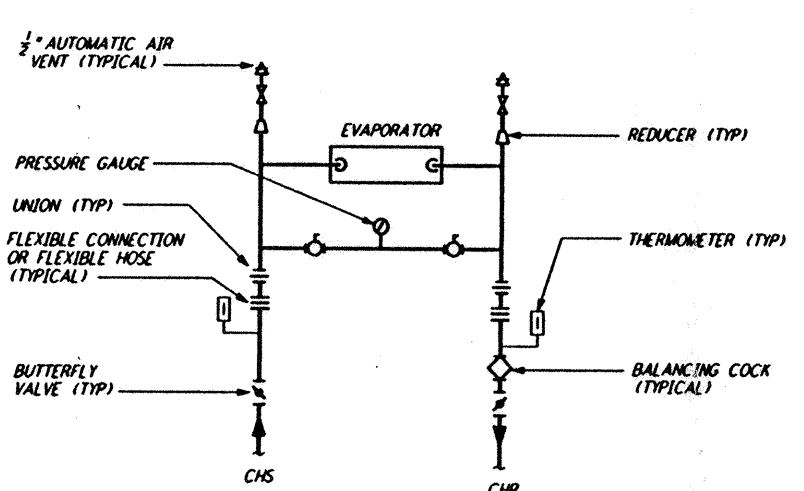
MULTIPLE COIL PIPING DETAIL (6) REF
LA-H-411



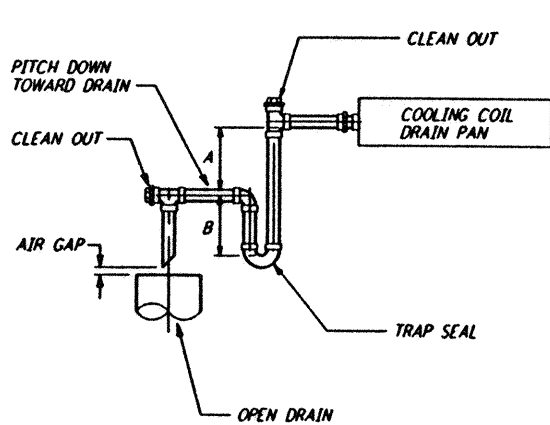
CHEMICAL FEEDER DETAIL (7) REF
LA-H-411



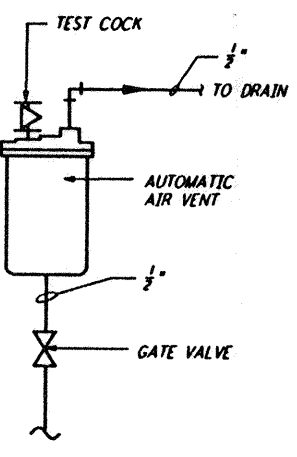
REGISTER MOUNTING DETAIL (8) REF
LA-H-411



WATER CHILLER CONNECTION (9) REF
LA-H-411



CONDENSATE DRAIN DETAIL (10) REF
LA-H-411



AUTOMATIC AIR VENT (11) REF
LA-H-411

NOTES:
1. FOR LEGEND, ABBREVIATIONS AND GENERAL NOTES SEE SHEETS LA-H-001 AND LA-H-002.

This document and the design it covers are the property of PARSONS. They are loaned only with the borrower's expressed written agreement that they will not be reproduced, copied, loaned, exhibited, or used in any other way, except by written consent from PARSONS to the borrower.

NO.	DATE	BY	CHKD	ENGR	PROJ	DESCRIPTION
C	7-24-96	CLP	AA	AA	AA	ISSUED FOR BID
B	6-14-96	CLP	ME	AA	TDM	FINAL DESIGN REVIEW
A	10-31-95	CLP	ME	AA	TDM	PRELIMINARY DESIGN REVIEW

PARSONS
100 WEST WALNUT STREET
PASADENA, CALIFORNIA

LIGO
CALIFORNIA INSTITUTE OF TECHNOLOGY
MASSACHUSETTS INSTITUTE OF TECHNOLOGY

LASER INTERFEROMETER
GRAVITATIONAL-WAVE OBSERVATORY
SITE NO. 2 - LIVINGSTON, LOUISIANA

HVAC
DETAILS SHEET 1

SCALE: NONE
CONTRACT NUMBER: PPI50969
PROJECT NUMBER: 8094

LA-H-411

Mon Jul 22 13:44:12 1996 s3-v18b2 J:\PLOTS\QUEUES\18B2\MU411D.PRF