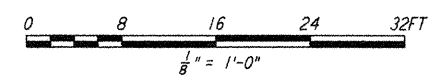
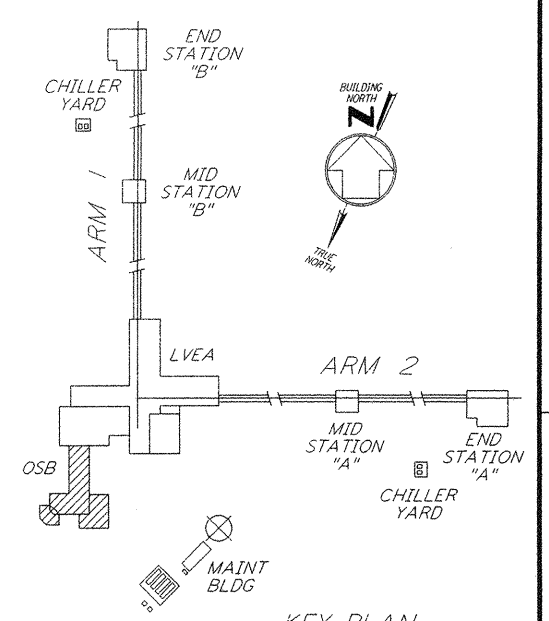


NOTES:

1. FOR ABBREVIATIONS AND ACRONYMS SEE DWG. LA-E-001.
2. FOR SYMBOLS SEE DWG. LA-E-002.
3. FOR GENERAL NOTES, SEE DWG. LA-E-102.
4. FIXTURES H-95 AND H2-95 HAVE A FLEXIBLE CABLE (BY VENDOR) CONNECTS WIRES FROM "MASTER" BALLAST TO "SATELLITE" PLUG-IN CONNECTOR. BOTH BALLASTS ARE IN THE "MASTER" UNIT.
5. FIXTURES H3-95 SHALL HAVE ITS BALLASTS PARALLEL SWITCHED FROM ASSOCIATED MASTER FIXTURE H-95.
6. FIXTURES H1-95 SHALL HAVE ITS 2-LAMP BALLAST PARALLEL SWITCH FROM ASSOCIATED MASTER FIXTURE, AND ITS 1-LAMP BALLAST SHALL NOT BE SWITCHED.
7. LIGHTING FIXTURES LOCATION IN VESTIBULE 121 AND AT ENTRY SHALL BE PHOTO ELECTRIC CONTROL VIA PHOTO CELL LOCATED ON ROOF.
8. ALL LIGHTING CIRCUITS SHOWN ON THIS DRAWING ARE FROM PANEL L-CS-144-LP-01 UNLESS OTHERWISE NOTED.
9. CIRCUIT SHOWN FEEDING THESE LIGHTING FIXTURES IS FROM PANEL L-CS-144-RP-01.
10. FOR ALL PANEL FEEDER CONDUIT AND WIRE SIZES SEE SINGLE LINE DIAGRAM DWG LA-E-006.
11. SLAVE UNIT, CIRCUIT SHOWN FEEDING THESE FIXTURES IS FROM L-CS-144-LP-01 VIA TYPE F-30 FIXTURE SHOWN ON THIS DWG.

REFERENCE DRAWINGS:

- LA-E-001 ELECTRICAL SYMBOLS, ABBREVIATION & ACRONYMS
- LA-E-002 ELECTRICAL STANDARD PLAN SYMBOLS
- LA-E-102 ELECTRICAL CS LVEA LIGHTING PLAN
- LA-E-115 LIGHTING AND POWER PANEL SCHEDULES
- LA-E-116 LIGHTING AND POWER PANEL SCHEDULES



This document and the design it covers are the property of PARSONS. They are loaned only with the borrower's expressed written agreement that they will not be reproduced, copied, loaned, exhibited, or used in any other way, except by written consent from PARSONS to the borrower.

NO.	DATE	BY	CHKD	ENGR	PROJ	DESCRIPTION
2	8-7-96	JE	AK	MS	WLD	ISSUED FOR AS-BUILT
1	2-28-97	J.G.	RDC	KCR	T. D. M	GENERAL REVISIONS

ISSUED FOR CONSTRUCTION	M. M.	11-15-96
DRAWN	J. C. L.	7-24-96
CHECKED	K. C. R.	10-25-96
ENGINEER	T. D. M.	11-15-96
PROJ		

AS-BUILT DRAWINGS

100 WEST WALNUT STREET
PASADENA, CALIFORNIA

CALIFORNIA INSTITUTE OF TECHNOLOGY
MASSACHUSETTS INSTITUTE OF TECHNOLOGY

LASER INTERFEROMETER
GRAVITATIONAL-WAVE OBSERVATORY
SITE NO. 2 - LIVINGSTON, LOUISIANA

TITLE	ELECTRICAL CORNER STATION OSB OFFICE AREA LIGHTING PLAN
SCALE	NONE
CONTRACT NUMBER	PP150969
PROJECT NUMBER	8094
SHEET NUMBER	LA-E-107
REVISIONS	