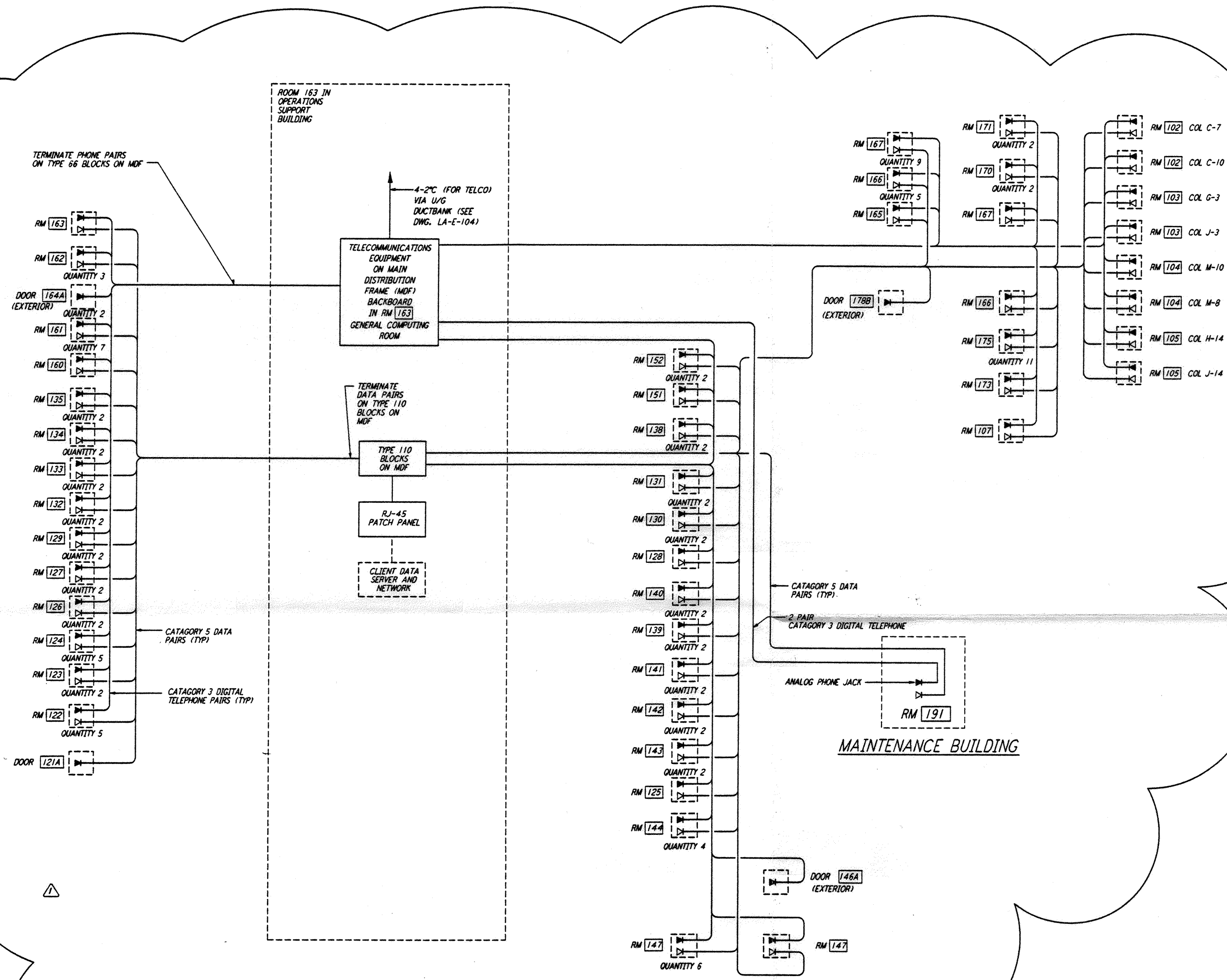


NOTE:
 1. FOR SPECIFICATIONS SEE SPECIFICATION SECTION 16742 TELEPHONE AND DATA CABLE.



TELEPHONE, FACILITY DATA RISER DIAGRAM

This document and the design it covers are the property of PARSONS. They are loaned only with the borrower's expressed written agreement that they will not be reproduced, copied, loaned, exhibited, or used in any other way, except by written consent from PARSONS to the borrower.

LIGO-D961011-01-0

NO.	DATE	BY	CHKD	ENGR	PROJ	DESCRIPTION
1	2-28-97	J. G.	J. G.	J. G.	J. G.	GENERAL REVISIONS

ISSUED FOR CONSTRUCTION			
DRAWN	M. M.	11-15-96	
CHECKED	J. C. L.	7-24-96	
ENGINEER	K. C. R.	10-25-96	
PROJ	T. D. M.	11-15-96	



PARSONS
 100 WEST WALNUT STREET
 PASADENA, CALIFORNIA

LIGO
 CALIFORNIA INSTITUTE OF TECHNOLOGY
 MASSACHUSETTS INSTITUTE OF TECHNOLOGY

LASER INTERFEROMETER
 GRAVITATIONAL-WAVE OBSERVATORY
 SITE NO. 2 - LIVINGSTON, LOUISIANA

ELECTRICAL CORNER STATION COMMUNICATIONS RISER DIAGRAM

SCALE: NONE CONTRACT NUMBER: PP150969 PROJECT NUMBER: 8094
 SHEET NUMBER: **LA-E-109**