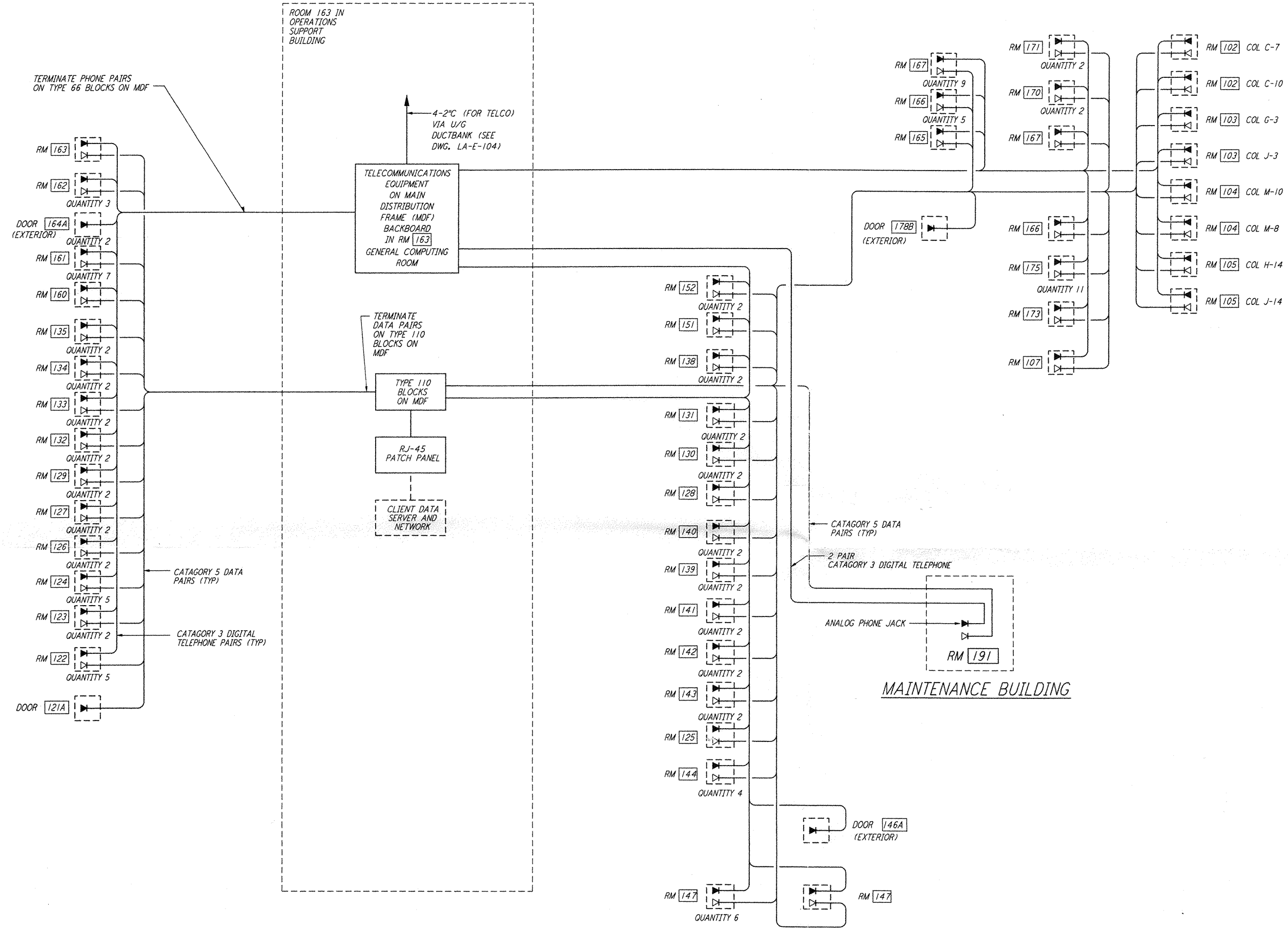


NOTE:
 1. FOR SPECIFICATIONS SEE SPECIFICATION SECTION 16742 TELEPHONE AND DATA CABLE.



TELEPHONE, FACILITY DATA RISER DIAGRAM

This document and the design it covers are the property of PARSONS. They are loaned only with the borrower's expressed written agreement that they will not be reproduced, copied, loaned, exhibited, or used in any other way, except by written consent from PARSONS to the borrower.

NO.	DATE	BY	CHKD	ENGR	PROJ	DESCRIPTION
2	8-7-98	JE	R.K.	[Signature]	[Signature]	ISSUED FOR AS-BUILT
1	2-28-97	J.G.	RDC	KCR	F.D.M.	GENERAL REVISIONS

AS-BUILT DRAWINGS

ISSUED FOR CONSTRUCTION		
DRAWN	M.M.	11-15-96
CHECKED	J.C.L.	7-24-96
ENGINEER	K.C.R.	10-25-96
PROJ	T.D.M.	11-15-96

PARSONS
 100 WEST WALNUT STREET
 PASADENA, CALIFORNIA

LIGO
 CALIFORNIA INSTITUTE OF TECHNOLOGY
 MASSACHUSETTS INSTITUTE OF TECHNOLOGY

LIGO-D961011-02-O

LASER INTERFEROMETER
 GRAVITATIONAL-WAVE OBSERVATORY
 SITE NO.2 - LIVINGSTON, LOUISIANA

TITLE	ELECTRICAL CORNER STATION COMMUNICATIONS RISER DIAGRAM	SCALE	NONE	CONTRACT NUMBER	PP150969	PROJECT NUMBER	8094
SHEET NUMBER	LA-E-109		REVISED				