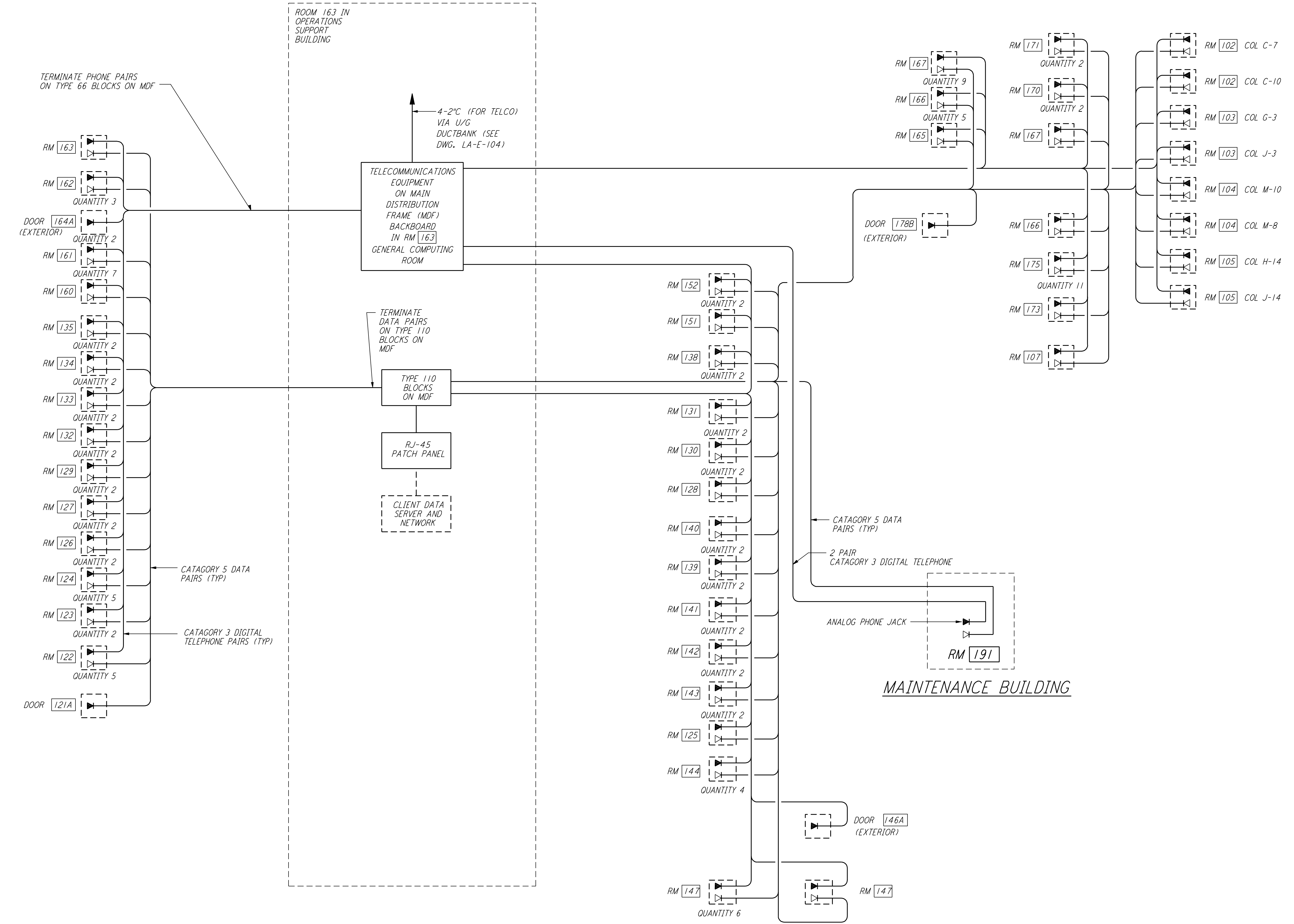


NOTE:

1. FOR SPECIFICATIONS SEE SPECIFICATION SECTION 16742 TELEPHONE AND DATA CABLE.

This document and the design it covers are the property of PARSONS. They are loaned only with the borrower's expressed written agreement that they will not be reproduced, copied, loaned, exhibited, or used in any other way, except by written consent from PARSONS to the borrower.



TELEPHONE, FACILITY DATA RISER DIAGRAM

NO.	DATE	BY	CHKD	ENGR	PROJ	DESCRIPTION
2	8-7-98	JE				ISSUED FOR AS-BUILT
1	2-28-97	J. G.	RDC	KCR	T. D. M.	GENERAL REVISIONS

ISSUED FOR CONSTRUCTION		
DRAWN	M. M.	11-15-96
CHECKED	J. C. L.	7-24-96
ENGINEER	K. C. R.	10-25-96
PROJ	T. D. M.	11-15-96

AS-BUILT DRAWINGS

PARSONS
 100 WEST WALNUT STREET
 PASADENA, CALIFORNIA

LIGO
 CALIFORNIA INSTITUTE OF TECHNOLOGY
 MASSACHUSETTS INSTITUTE OF TECHNOLOGY

LIGO-D961011-02-O

LASER INTERFEROMETER
 GRAVITATIONAL-WAVE OBSERVATORY
 SITE NO. 2 - LIVINGSTON, LOUISIANA

TITLE	SCALE	CONTRACT NUMBER	PROJECT NUMBER
ELECTRICAL CORNER STATION COMMUNICATIONS RISER DIAGRAM	NONE	PP150969	8094
SHEET NUMBER	REVISIONS		
LA-E-109			