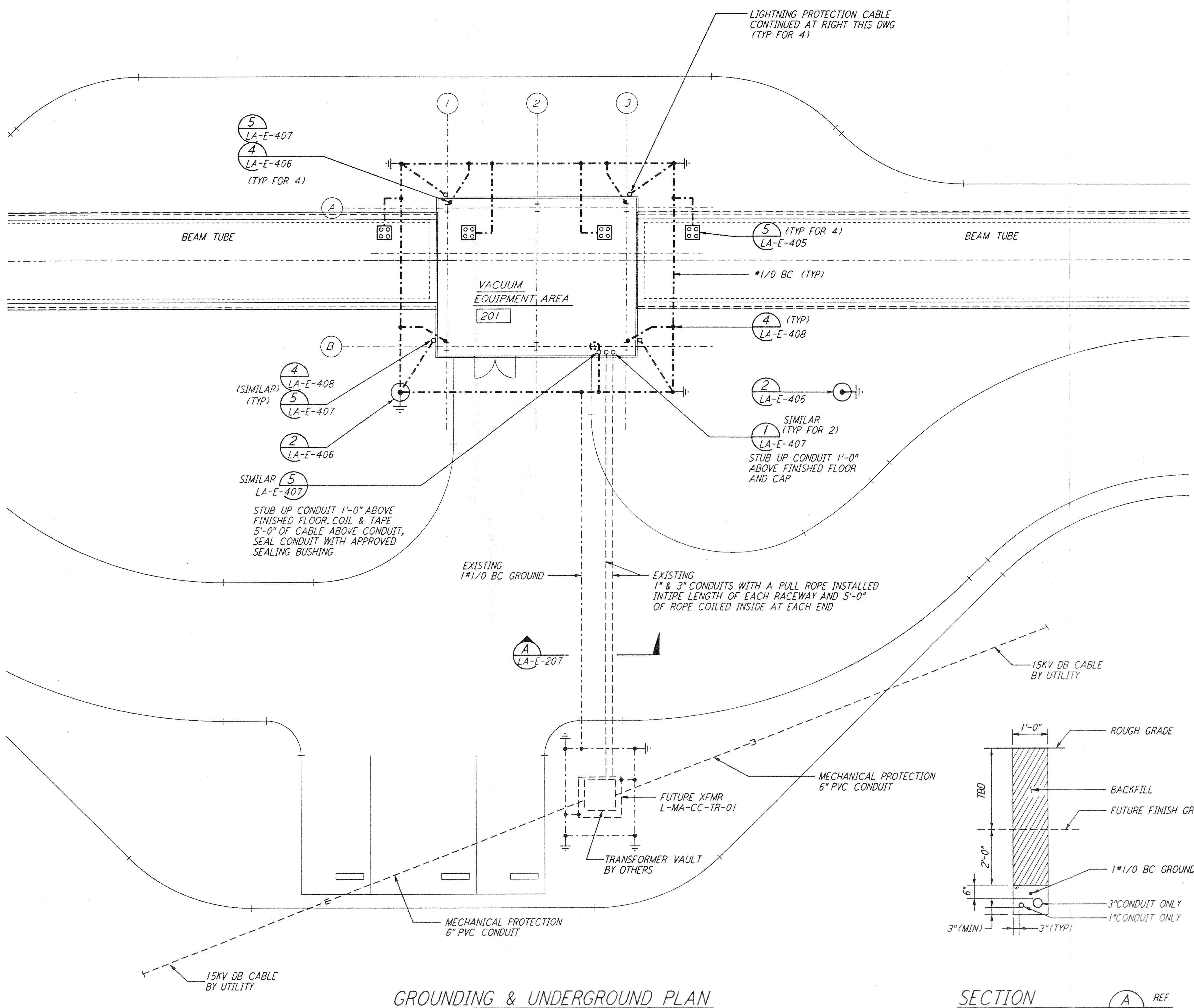


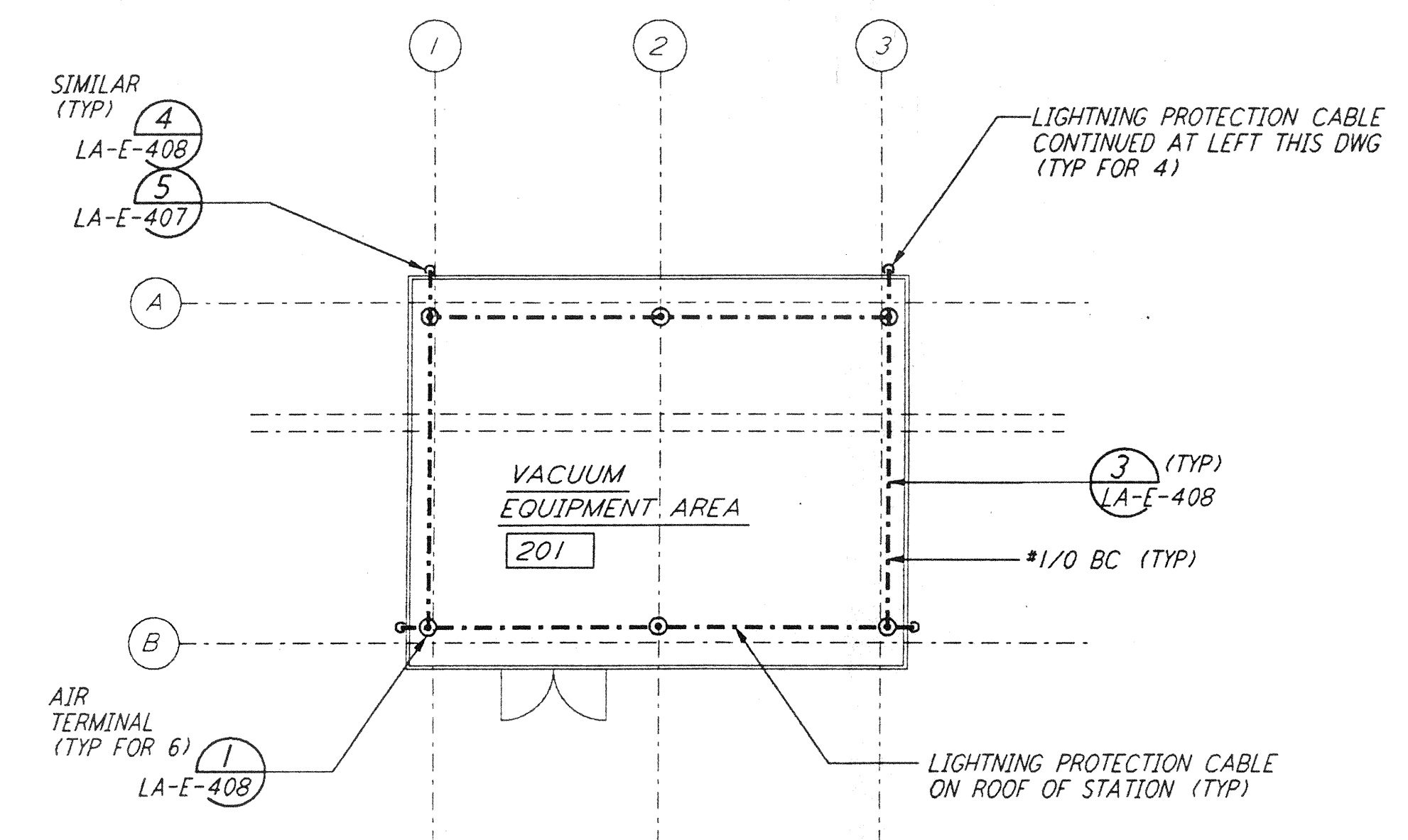
- NOTES:**
- FOR GENERAL NOTES SEE DWG. LA-E-103.
 - CONNECT GROUNDING CONDUCTOR TO REBAR AT BOTTOM OF FOUNDATION. REBAR SHALL BE AT LEAST 20 FEET LONG AND 1/2" DIAMETER.
 - SEE CIVIL DRAWING LA-C-021 FOR ACTUAL LOCATION OF TRANSFORMER.
 - SEE SPECIFICATION SECTION 16670 FOR LIGHTNING PROTECTION MATERIAL.
 - GROUND CONNECTION TO STRUCTURAL STEEL SHALL BE EXOTHERMIC WELD TYPE, AND APPROPRIATE FOR THE CABLE AND STRUCTURAL STEEL.

not be reproduced, copied, loaned, exhibited, or used in any other way, except by written consent from PARSONS to the borrower.

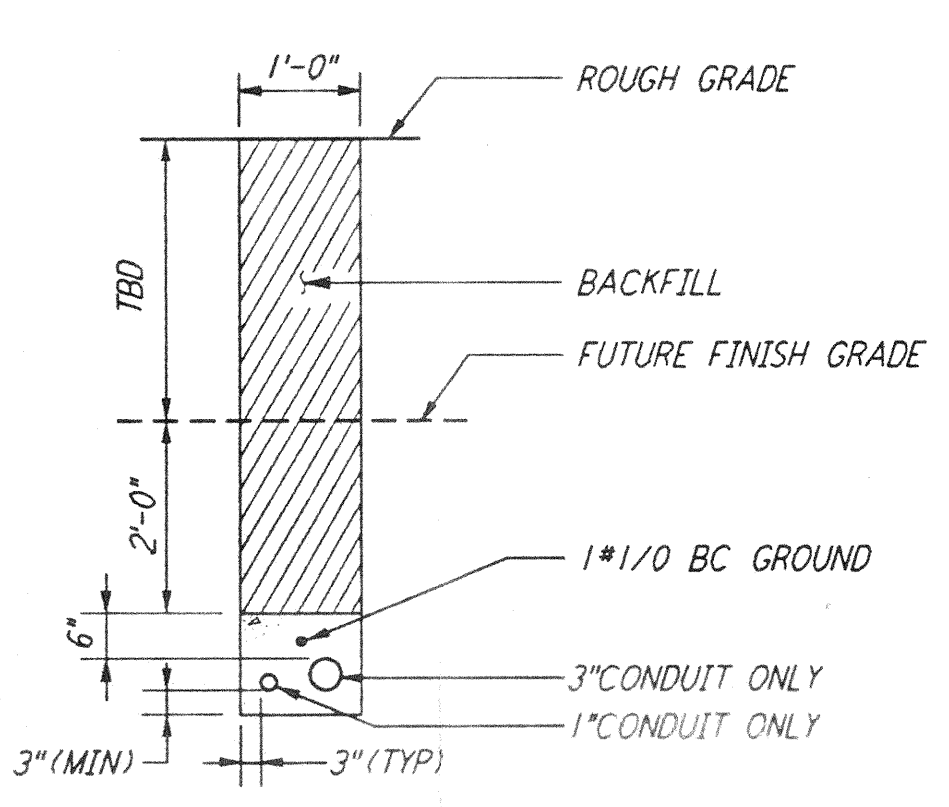
This document and the design it covers are the property of PARSONS. They are loaned only with the borrower's expressed written agreement that they will



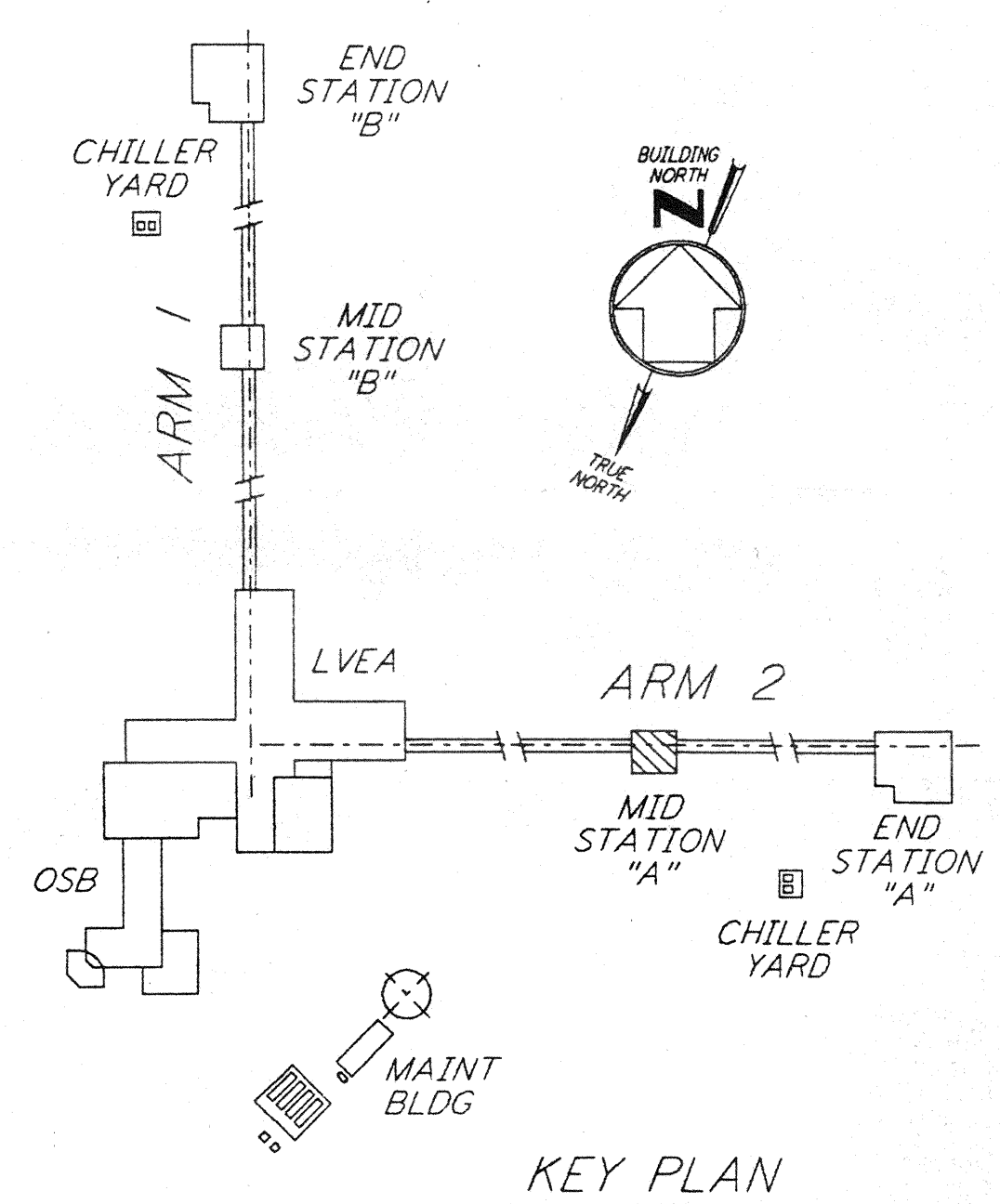
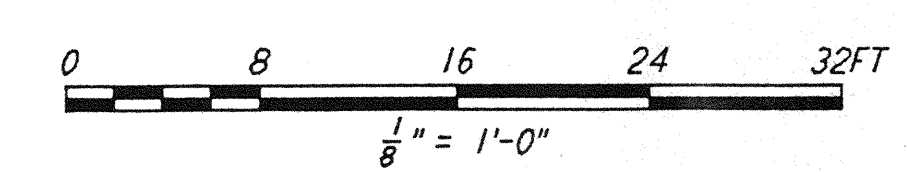
GROUNDING & UNDERGROUND PLAN



LIGHTNING PROTECTION PLAN



SECTION
 NTS EXISTING DUCTBANK REF LA-E-207



KEY PLAN

REFERENCES											ISSUED FOR CONSTRUCTION DRAWN M.M. 11-15-96 CHECKED JCL 7-24-96 ENGINEER RCL 10-25-96 PROJ SDA 11/15/96					LASER INTERFEROMETER GRAVITATIONAL-WAVE OBSERVATORY SITE NO. 2 - LIVINGSTON, LOUISIANA		SCALE CONTRACT NUMBER PROJECT NUMBER AS NOTED PPI 50969 8094		SHEET NUMBER REVISIONS LA-E-207	
	DRAWING NO.	DESCRIPTION	NO.	DATE	BY	CHKD	ENGR	PROJ	DESCRIPTION	TITLE	ELECTRICAL MID STATION A GROUNDING & UNDERGROUND PLAN										