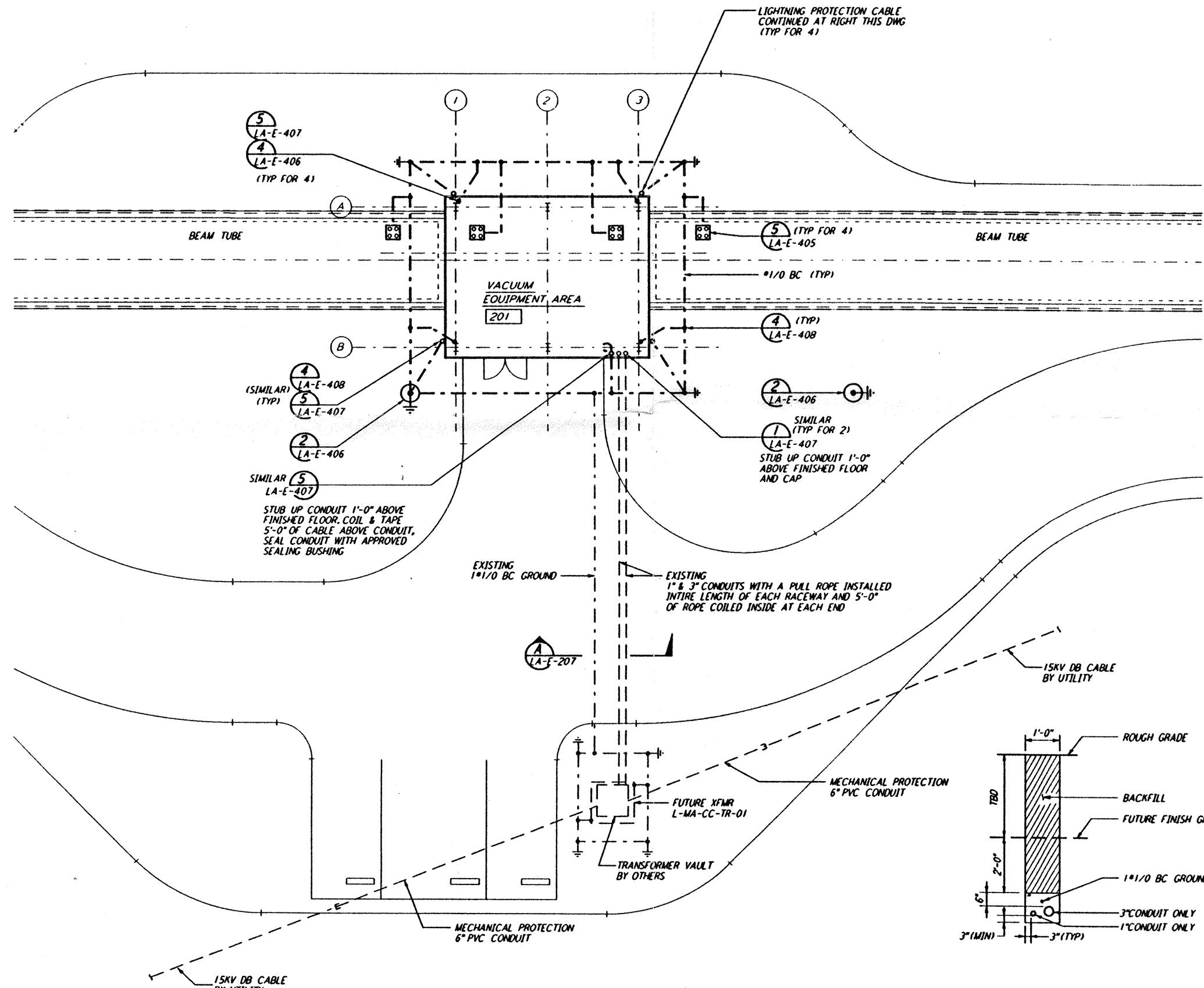
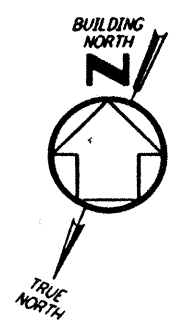
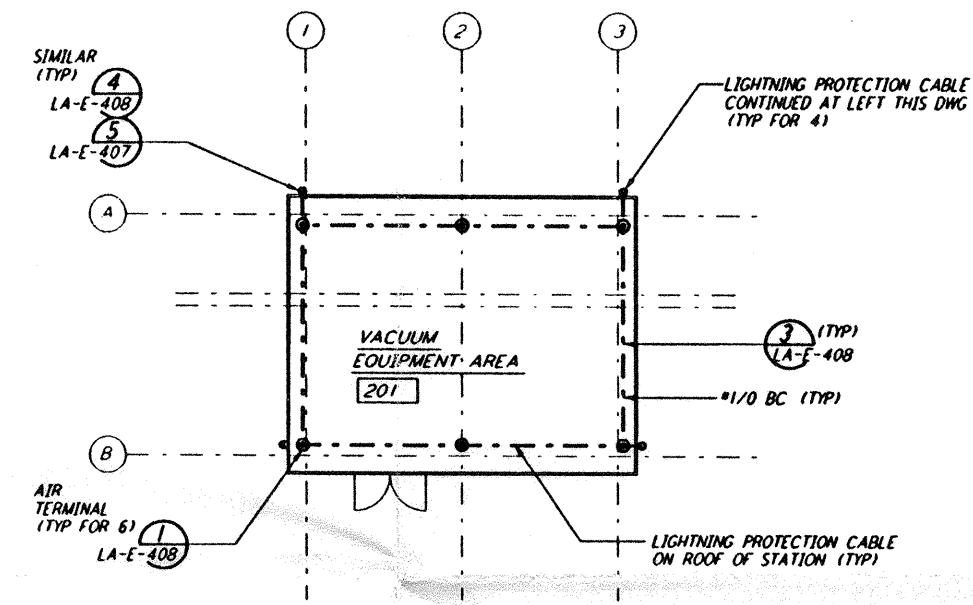


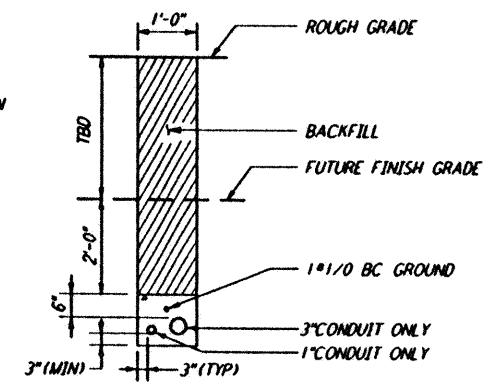
- NOTES:**
- FOR GENERAL NOTES SEE DWG. LA-E-103.
  - CONNECT GROUNDING CONDUCTOR TO REBAR AT BOTTOM OF FOUNDATION. REBAR SHALL BE AT LEAST 20 FEET LONG AND 1/2" DIAMETER.
  - SEE CIVIL DRAWING LA-C-021 FOR ACTUAL LOCATION OF TRANSFORMER.
  - SEE SPECIFICATION SECTION 16670 FOR LIGHTNING PROTECTION MATERIAL.
  - GROUND CONNECTION TO STRUCTURAL STEEL SHALL BE EXOTHERMIC WELD TYPE, AND APPROPRIATE FOR THE CABLE AND STRUCTURAL STEEL.



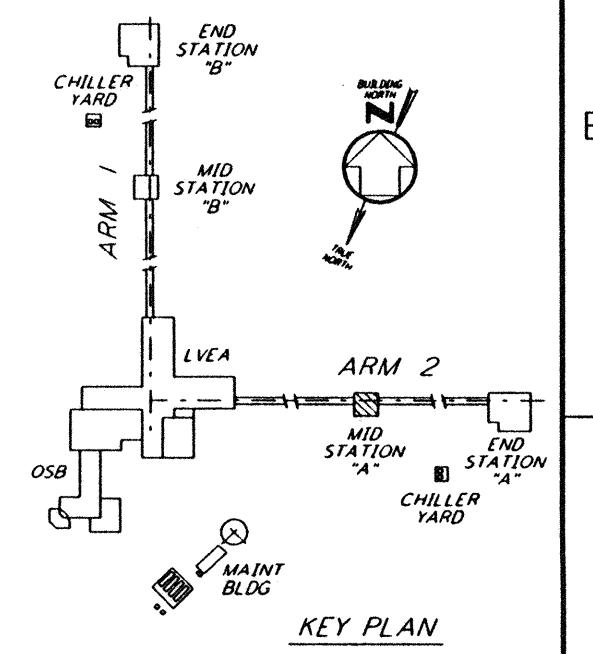
**GROUNDING & UNDERGROUND PLAN**



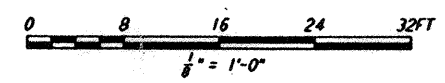
**LIGHTNING PROTECTION PLAN**



**SECTION**  
 NTS EXISTING DUCTBANK REF LA-E-207



**KEY PLAN**



This document and the design it covers are the property of PARSONS. They are loaned only with the borrower's expressed written agreement that they will not be reproduced, copied, loaned, exhibited, or used in any other way, except by written consent from PARSONS to the borrower.

NO.	DATE	BY	CHKD	ENGR	PROJ	DESCRIPTION
B	7-24-96	MM	JCL	TDM		ISSUED FOR BID
A	6-14-96	MM	JCL	KR	TDM	FINAL DESIGN REVIEW

DRAWN	M. M.
CHECKED	
ENGINEER	
PROJ	

**PARSONS**  
 100 WEST WALNUT STREET  
 PASADENA, CALIFORNIA

**LIGO**  
 CALIFORNIA INSTITUTE OF TECHNOLOGY  
 MASSACHUSETTS INSTITUTE OF TECHNOLOGY

**LASER INTERFEROMETER GRAVITATIONAL-WAVE OBSERVATORY SITE NO. 2 - LIVINGSTON, LOUISIANA**

TITLE	SCALE	CONTRACT NUMBER	PROJECT NUMBER
ELECTRICAL MID STATION A GROUNDING & UNDERGROUND PLAN	AS NOTED	PP150969	8094
PROJECT NUMBER		PERSONNEL	
<b>LA-E-207</b>			

Tue Jul 23 19:27:29 1996 S3-V18B2 J:\PLOTS\QUEUES\V18B2\EE207.PR