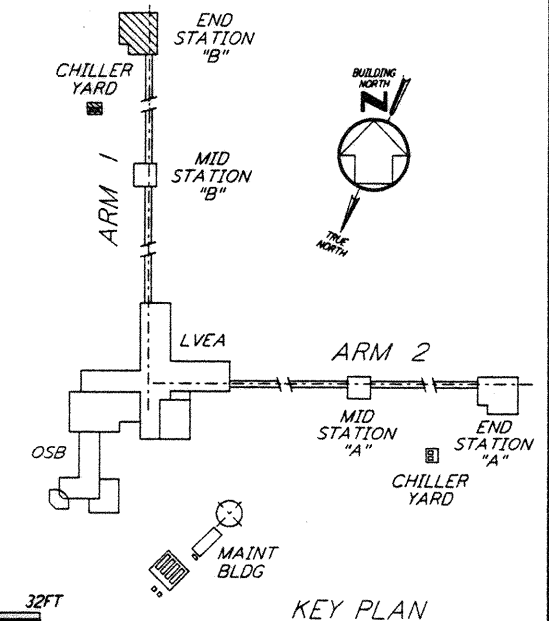
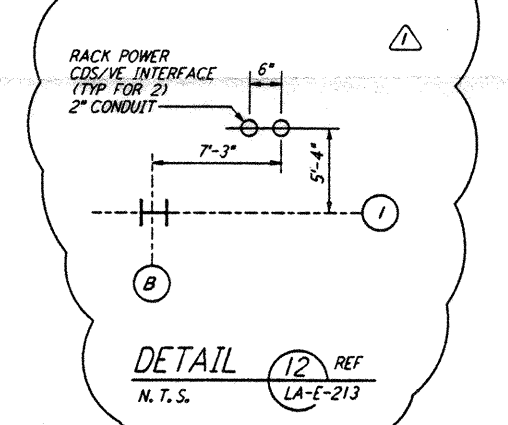
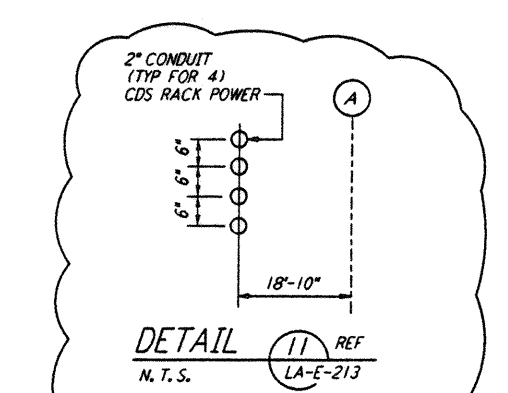
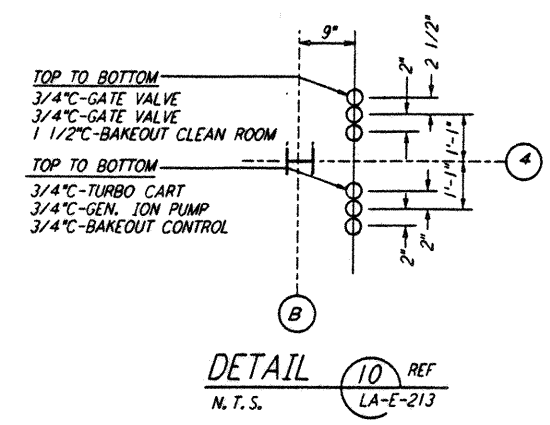


- NOTES:**
1. FOR STANDARD SYMBOLS, ABBREVIATIONS AND ACRONYMS SEE DWG. LA-E-001.
  2. FOR ELECTRICAL SYMBOLS SEE DWG. LA-E-002.
  3. FOR STANDARD INSTALLATION DETAILS SEE DWG. LA-E-405 THRU LA-E-407.
  4. FOR CABLE TYPE DESCRIPTION SEE DWG. LA-E-007.
  5. ALL DUCTBANK RUNS ARE SHOWN DIAGRAMMATICALLY ONLY. CONTRACTOR SHALL COORDINATE INSTALLATION WITH OTHER DISCIPLINES. TO USE COMMON TRENCH, BACK FILL ETC.
  6. ARRANGEMENT OF CDS POWER CONDUIT STUB-UPS SHALL BE COORDINATED WITH THE VACUUM EQUIPMENT VENDOR.



LIGO-D961034-01-0  
 0 8 16 24 32 FT  
 1/8" = 1'-0"

not be reproduced, copied, loaned, exhibited, or used in any other way, except by written consent from PARSONS to the borrower.

This document and the design it covers are the property of PARSONS. They are loaned only with the borrower's expressed written agreement that they will

NO.	DATE	BY	CHKD	ENGR	PROJ	DESCRIPTION
1	3-17-97	JG	KR	TDM		REVISED VACUUM EQUIP. LOCATIONS

ISSUED FOR CONSTRUCTION	M. M.	11-15-96
CHECKED	JCL	7-24-96
ENGINEER	KCR	10-15-96
PROJ	TDM	11-5-96



**PARSONS**  
 100 WEST WALNUT STREET  
 PASADENA, CALIFORNIA

**LIGO**  
 CALIFORNIA INSTITUTE OF TECHNOLOGY  
 MASSACHUSETTS INSTITUTE OF TECHNOLOGY

LASER INTERFEROMETER  
 GRAVITATIONAL-WAVE OBSERVATORY  
 SITE NO. 2 - LIVINGSTON, LOUISIANA

TITLE: ELECTRICAL END STATION B UNDERGROUND PLAN

SCALE: AS NOTED  
 CONTRACT NUMBER: PP150969  
 PROJECT NUMBER: 8094

SHEET NUMBER: **LA-E-213**

L140-D961034-01-B  
 LIGOLAF3.BDR