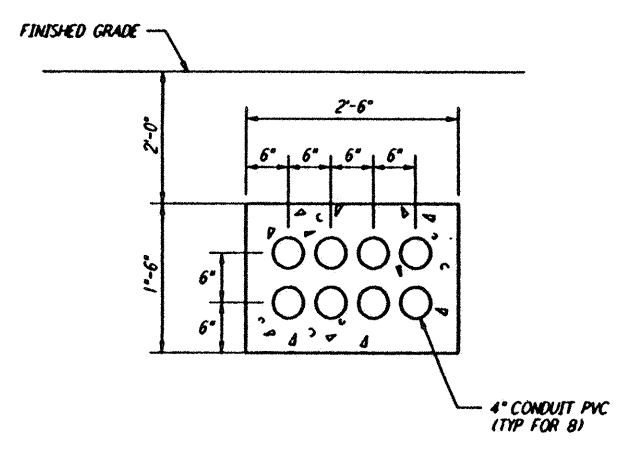
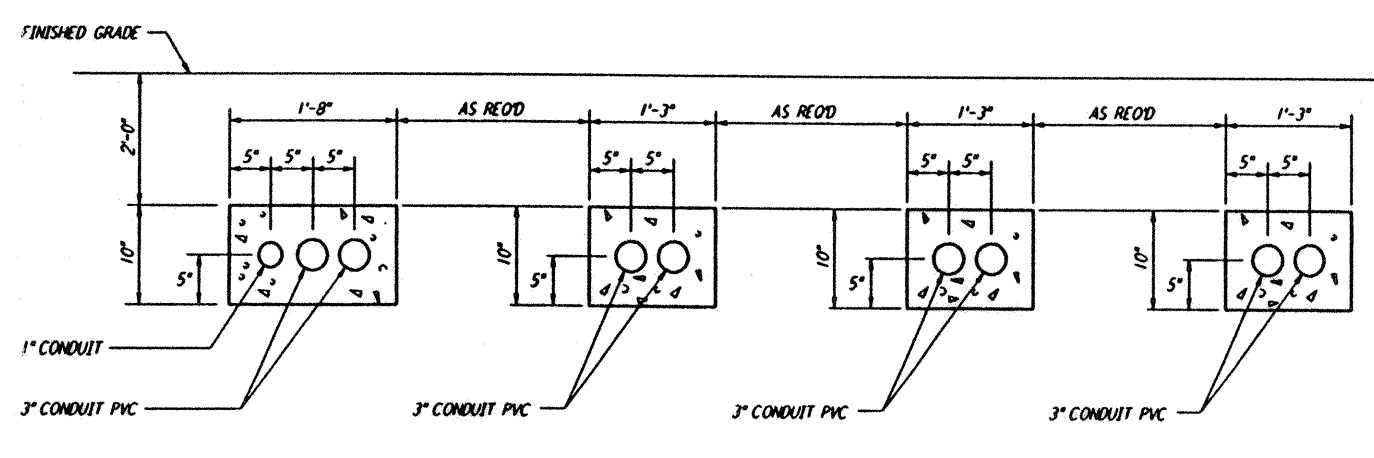


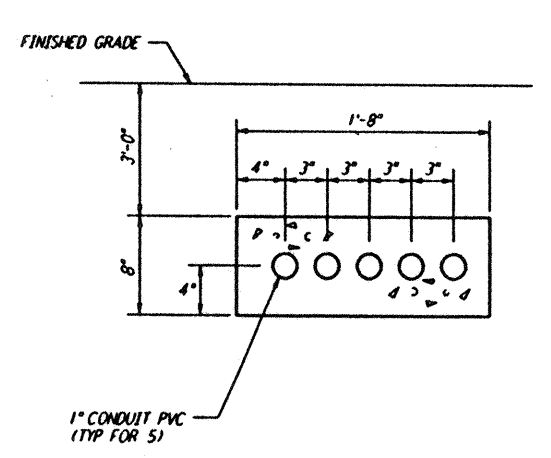
This document and the design it covers are the property of PARSONS. They are loaned only with the borrower's expressed written agreement that they will not be reproduced, copied, loaned, exhibited, or used in any other way, except by written consent from PARSONS to the borrower.



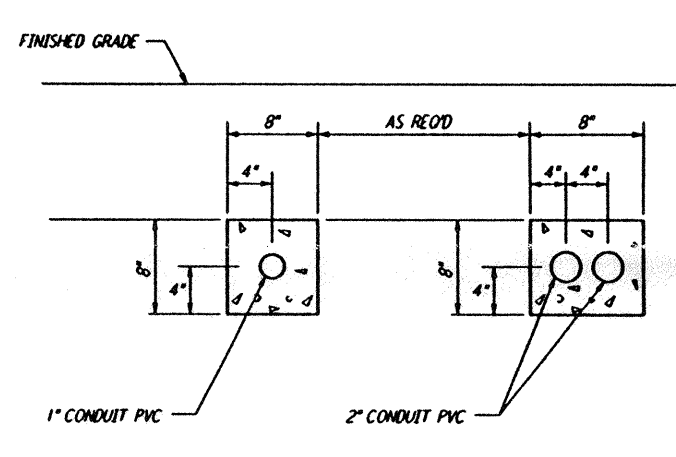
SECTION A REF  
 NTS LA-E-112



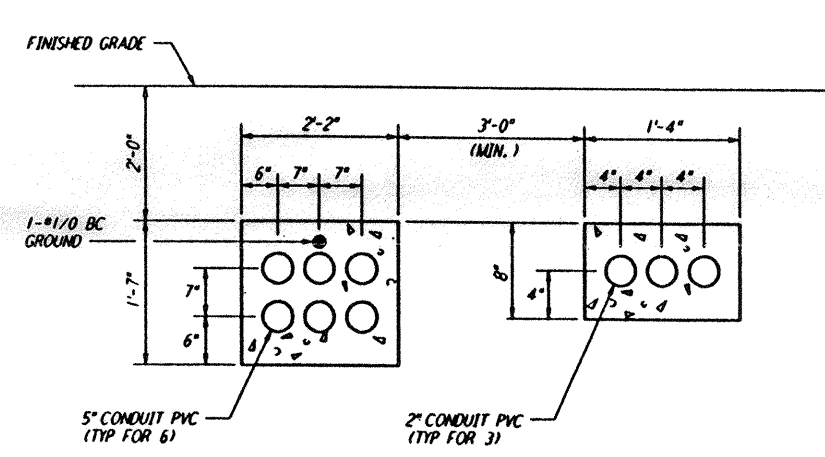
SECTION B REF  
 NTS LA-E-112



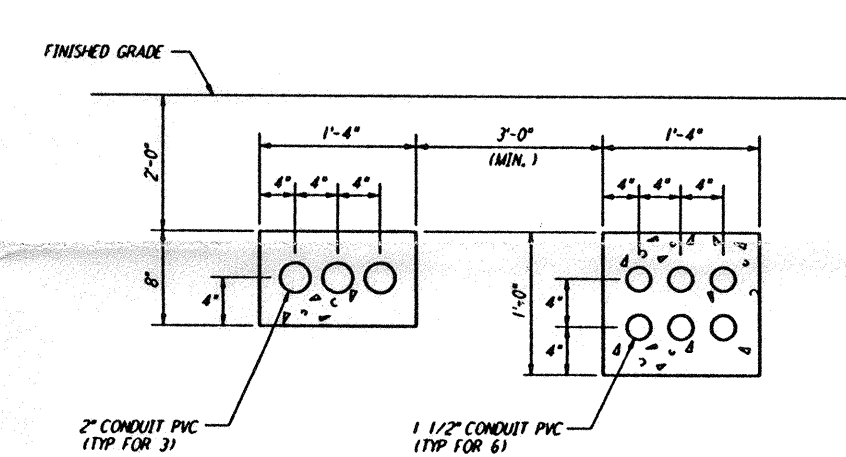
SECTION C REF  
 NTS LA-E-112



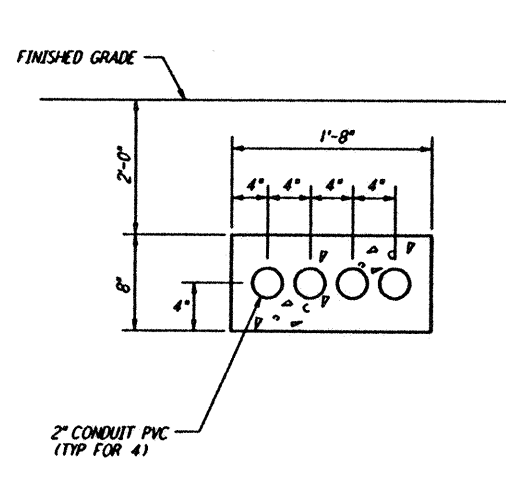
SECTION D REF  
 NTS LA-E-112



SECTION E REF  
 NTS LA-E-104  
 LA-E-112



SECTION F REF  
 NTS LA-E-104



SECTION G REF  
 NTS LA-E-104

| NO. | DATE    | BY | CHKD | ENGR | PROJ | DESCRIPTION         |
|-----|---------|----|------|------|------|---------------------|
| B   | 7-24-96 | MM | JCL  | TDM  |      | ISSUED FOR BID      |
| A   | 6-14-96 | MM | JCL  | RR   | TDM  | FINAL DESIGN REVIEW |

|          |       |
|----------|-------|
| DRAWN    | M. M. |
| CHECKED  |       |
| ENGINEER |       |
| PROJ     |       |

**PARSONS**  
 100 WEST WALNUT STREET  
 PASADENA, CALIFORNIA

**LIGO**  
 CALIFORNIA INSTITUTE OF TECHNOLOGY  
 MASSACHUSETTS INSTITUTE OF TECHNOLOGY

LASER INTERFEROMETER  
 GRAVITATIONAL-WAVE OBSERVATORY  
 SITE NO. 2 - LIVINGSTON, LOUISIANA

|  |       |                 |                |
|--|-------|-----------------|----------------|
| TITLE  | SCALE | CONTRACT NUMBER | PROJECT NUMBER |
| ELECTRICAL<br>CORNER STATION<br>UNDERGROUND SECTIONS | NONE  | PP150969        | 8094           |
| LA-E-400   |       |                 |                |

LIGO-D961037-B-0

LIGOLAF.BDR

Tue Jul 23 22:15:52 1996 S3-V18B2 J:\PLOTS\QUEUES\V18B2\EE400.PR